



PMV0 PUMPS



PMV0 – 09. HYDRAULIC PUMPS.

OVERVIEW

PMV0 is a variable displacement, axial piston pump, with swashplate system, for closed loop hydrostatic transmissions.

It provides a continuously variable flow rate between zero and maximum in forward and reverse direction. Flow rate is proportional to rotation speed and swashplate angle.

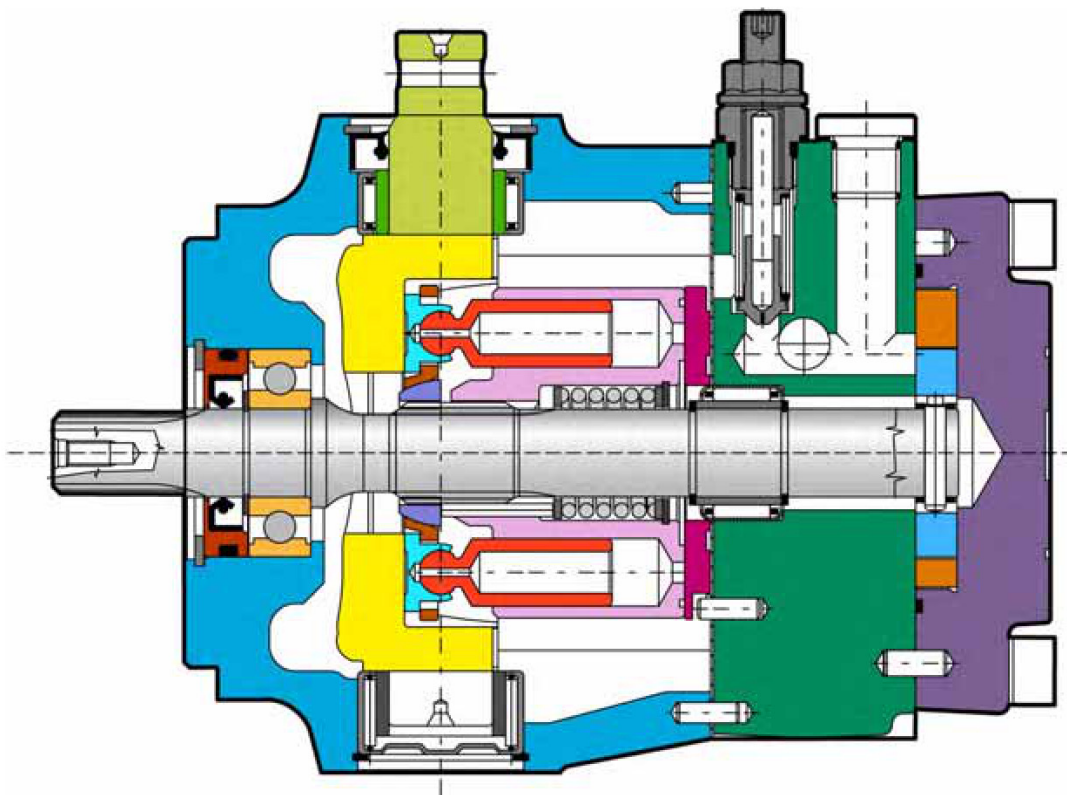
It can feature a charge pump to keep the circuit pressurised. This avoids risk of cavitations and ensures a good performance of the transmission.

It offers two types of control: direct mechanical and servo hydraulic.

It is equipped with high pressure relief valves and can be delivered with auxiliary gear pumps.

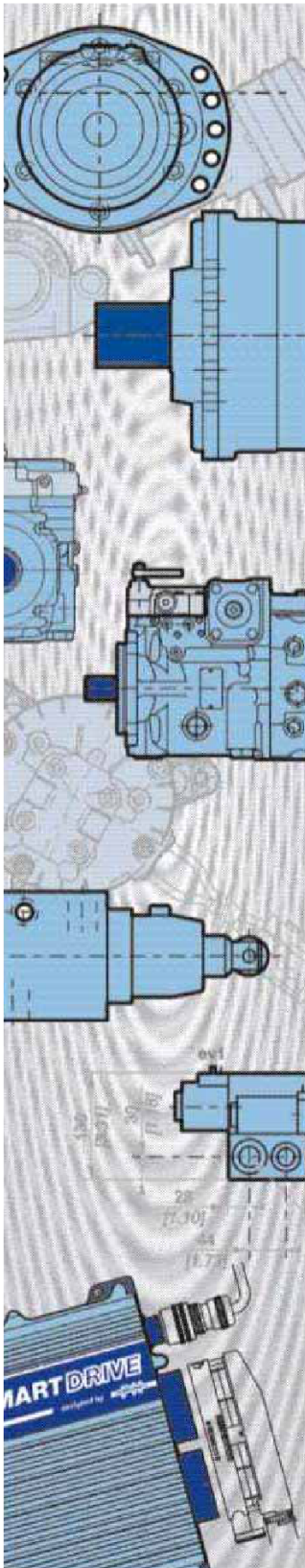
It is available in single or tandem versions.

As options, PMV0 can be featured with flushing valve, filter on charge pressure line and safety devices to ensure safe operation of the machine.



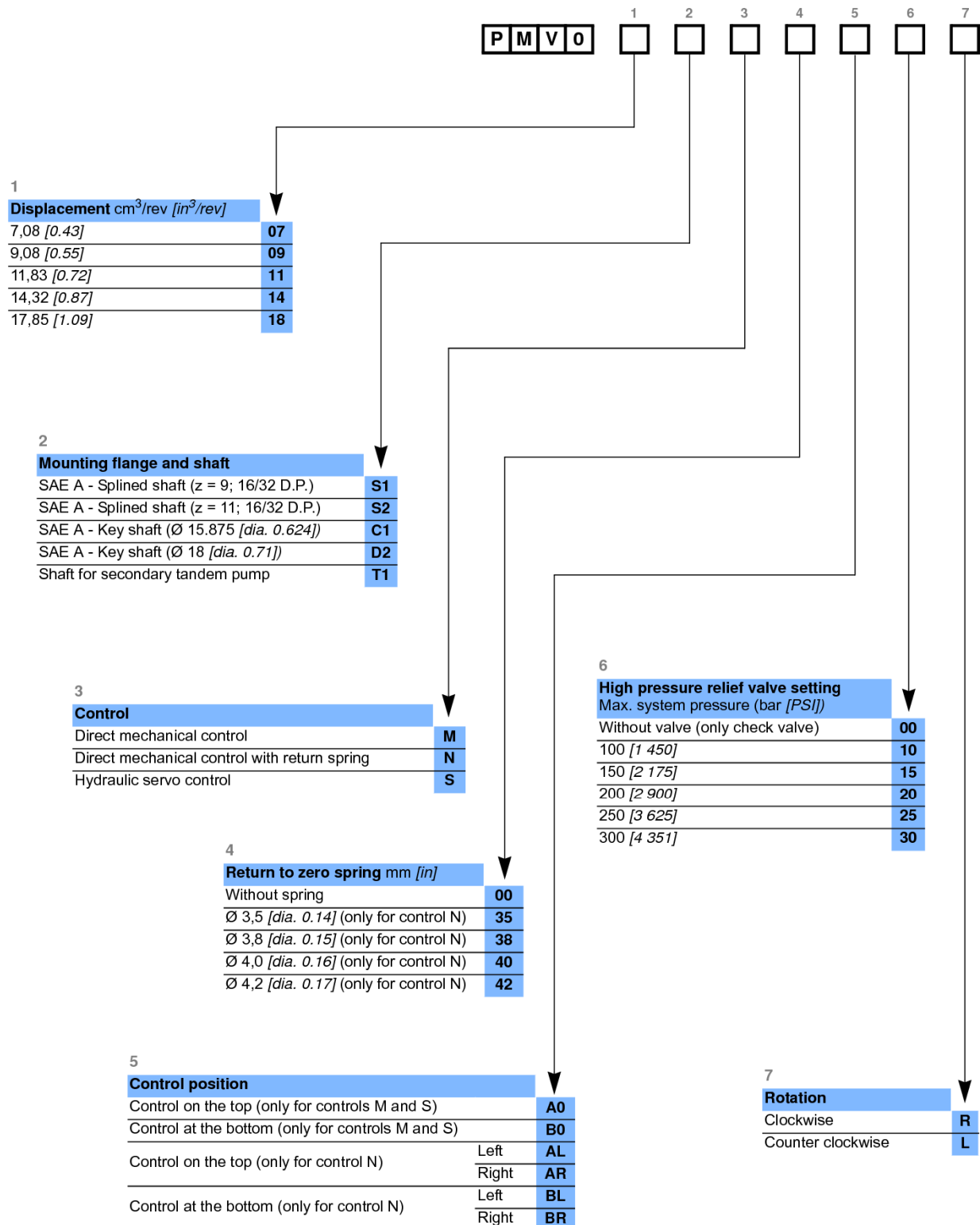
		PMV0-07	PMV0-09	PMV0-11	PMV0-14	PMV0-18
Displacement	cm ³ /rev [in ³ /rev.]	7,08 [0.43]	9,08 [0.55]	11,83 [0.72]	14,32 [0.87]	17,85 [1.09]
Theoretical Flow at rated speed	L/min [GPM]	25,5 [6.74]	32,7 [8.64]	42,6 [11.25]	51,6 [13.63]	64,3 [16.99]
Rated speed	rpm	3 600				
Rated pressure	bar [PSI]	210 [3 045]				
Max. Pressure	bar [PSI]	300 [4 351]				
Mounting flange		SAE A				
Controls		Direct mechanical and servo hydraulic				
Mass	kg [lb]	From 7,5 [16.5] to 9,5 [20.9]				
Rotation		Clockwise or Counterclockwise				

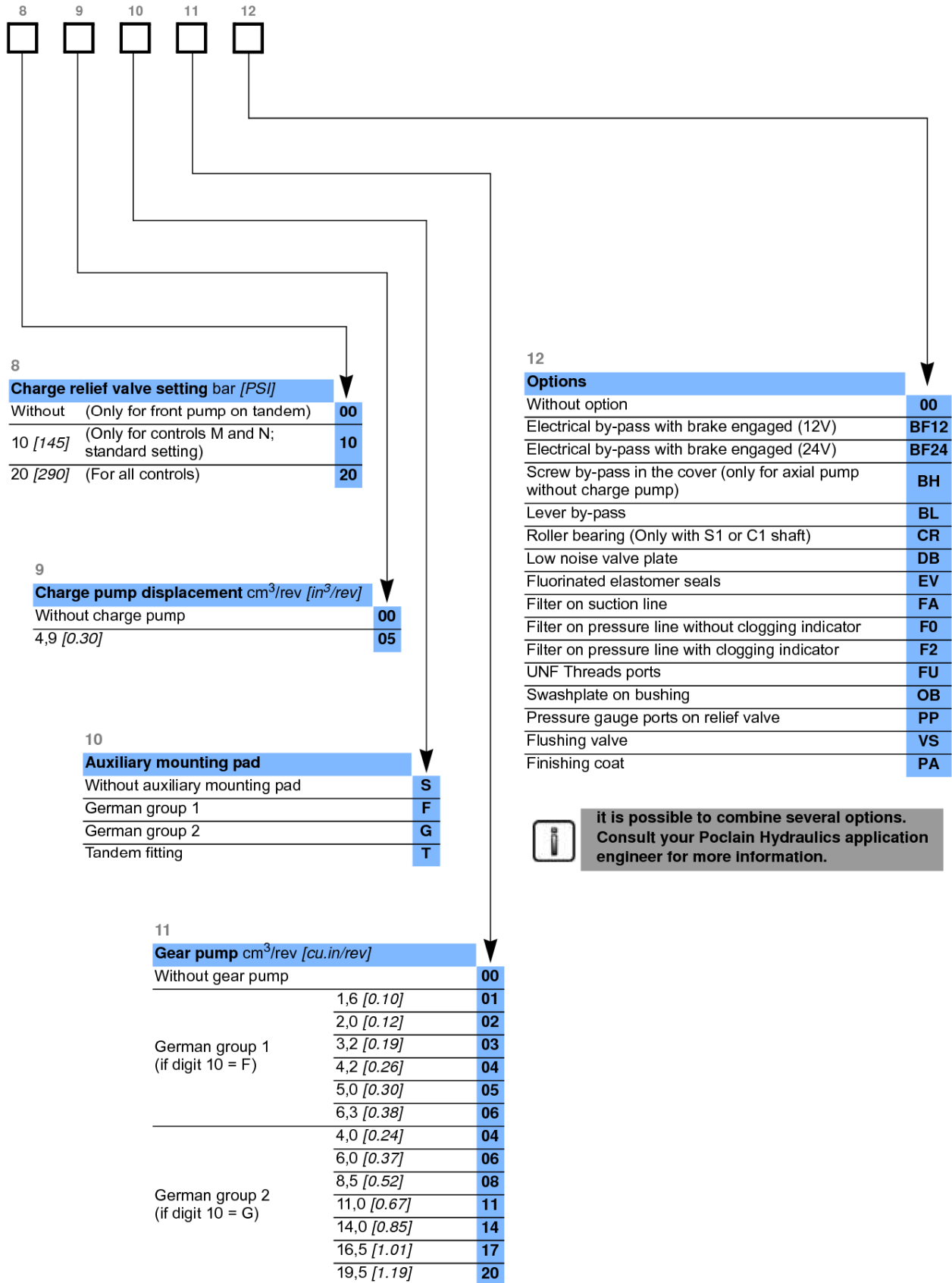
CONTENT



MODEL CODE	4	Model Code
TECHNICAL SPECIFICATIONS	6	Technical specifications
Features	6	
Performances	6	
Main dimensions	7	
Port characteristics	7	
OPERATING PARAMETERS	9	Operating Parameters
Operating parameters	9	
Charge pressure	9	
Case pressure	9	
Pressure ratings	9	
Speed ratings	9	
Inlet pressure	10	
Theoretical output	10	
Poclairn Hydraulics recommendations for fluid	10	
Fluid and filtration	11	
Viscosity range	11	
SYSTEM DESIGN PARAMETERS	12	System design Parameters
Sizing equations	12	
Redundant braking system requirement	12	
Loop flushing	12	
Reservoir	13	
Case drain usage for tandem pump	13	
Differential pressure	13	
Bearing life and external shaft loading	14	
Hydraulic unit life	15	
Mounting flange loads	15	
FEATURES	16	Features
High pressure relief valve	16	
Charge relief valve	17	
Charge pump	18	
Displacement limiters	19	
By-pass	19	
Mounting flange and shafts	20	
Auxiliary mounting pad	22	
Tandem pumps	24	
Gear pumps	25	
CONTROLS	26	Controls
Direct mechanical control	26	
Direct mechanical control with return spring	28	
Hydraulic servo control	30	
OPTIONS	32	Options
Screw by-pass	32	
Lever by-pass	33	
Electrical by-pass with brake engaged	34	
Roller bearing	35	
Fluorinated elastomer seals	35	
UNF threads ports	35	
Low noise valve plate	35	
Filter on suction line	36	
Filter on pressure line	37	
Swashplate on bushing	38	
Flushing valve	38	
Pressure gauge ports on relief valve	39	
Finishing coat	39	

MODEL CODE





it is possible to combine several options. Consult your Poclairn Hydraulics application engineer for more information.

TECHNICAL SPECIFICATIONS

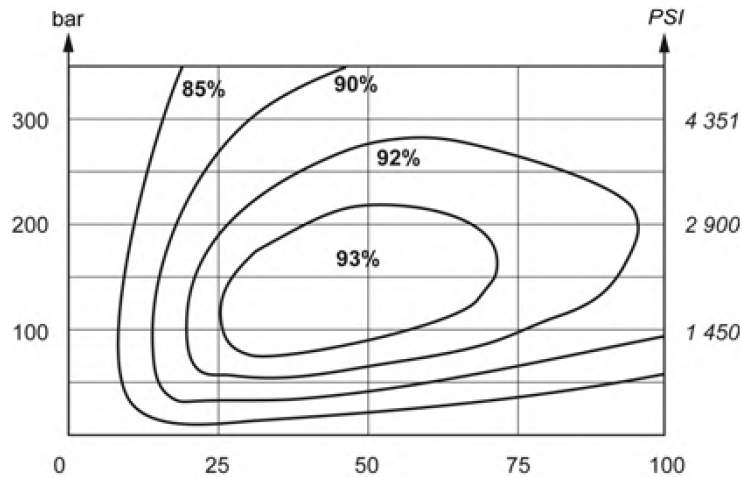
Features

		PMV0-07	PMV0-09	PMV0-11	PMV0-14	PMV0-18
Displacement	cm ³ /rev [in ³ /rev.]	7,08 [0.43]	9,08 [0.55]	11,83 [0.72]	14,32 [0.87]	17,85 [1.09]
Theoretical flow at rated speed (3600 rpm)	L/min [GPM]	25,5 [6.74]	32,7 [8.64]	42,6 [11.25]	51,6 [13.63]	64,3 [16.99]
Max. Theoretical absorbed power	KW	12,7	16,3	21,3	25,8	30,5
Theoretical absorbed torque at 100 bar [1 450 PSI]	N.m [in.lb]	11,3 [100]	14,5 [128]	18,8 [166]	22,8 [202]	28,4 [251]
Moment of inertia	kg.m ² [slug.ft ²]			0,0014 [0.0010]		
Internal charge pump	cm ³ /rev [in ³ /rev]			4,9 [0.30]		
Charge relief valve setting	bar [PSI]			From 6 [87] to 30 [435]		
High pressure relief setting	bar [PSI]			Max. 300 [4 351]		
Mounting flange				SAE A		
Mass	kg [lb]			7,5 [16.5] with control M 9,5 [20.9] with control S		

Performances

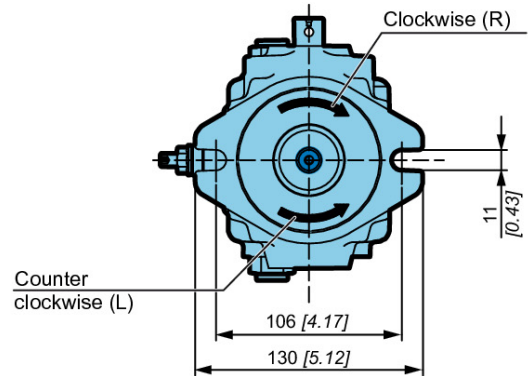
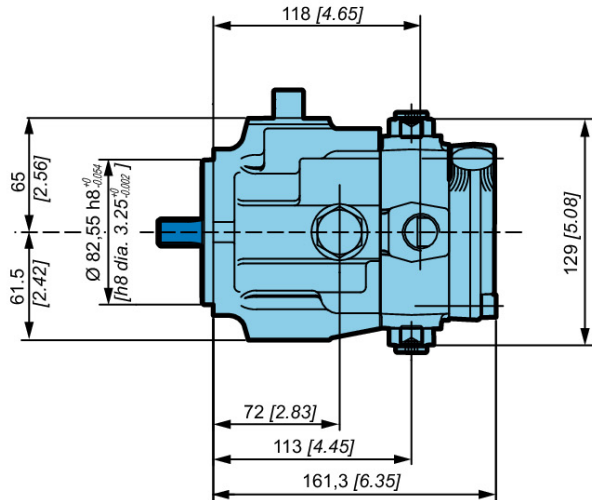
Efficiency at the max. pump displacement

Oil ISO VG46, temperature = 50°C [122°F].

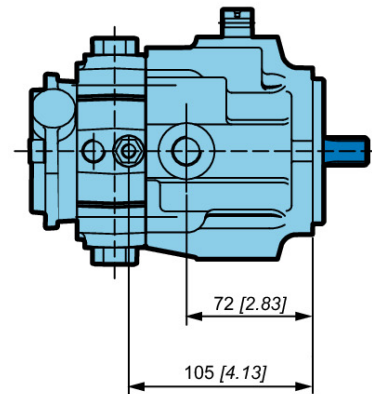
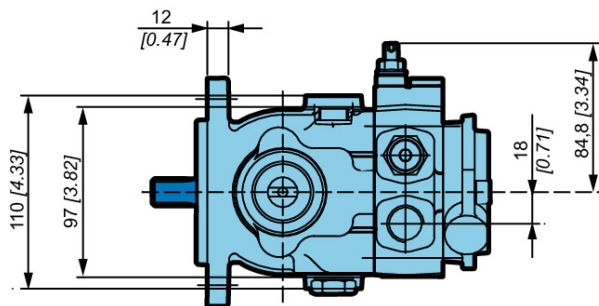


Main dimensions

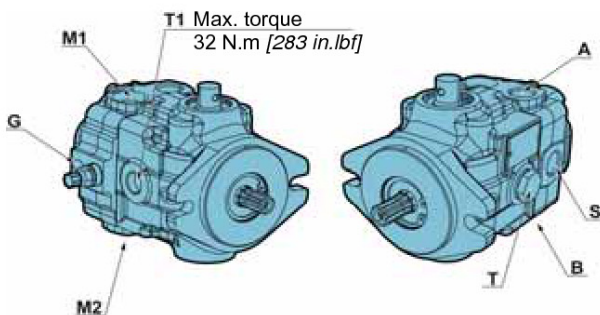
PMV0 with direct mechanical control and without auxiliary mounting pad



See from page 26 to page 31 for control dimensions.



Port characteristics



Port	Function	ISO 1179-1 (standard)	ISO 11926-1 (option FU)
A-B	Services	1/2" GAS	3/4-16 UNF-2B
G	Auxiliary	1/4" GAS	7/16-20 UNF-2B
M1/M2	Gauge	1/8" GAS	-
S	Suction	1/2" GAS	3/4-16 UNF-2B
T/T1	Drain	3/8" GAS	3/4-16 UNF-2B

OPERATING PARAMETERS

Operating parameters

		PMV0-07	PMV0-09	PMV0-11	PMV0-14	PMV0-18
Speed ratings	Minimum			700		
	Max. without load	rpm		3 900		
	Max. with load			3 600		
System pressure	Rated			210 [3 045]		
	Maximum	bar [PSI]		300 [4 351]		
	Minimum low loop			6 [87]		
Inlet pressure	Mini continuous	bar abs.		0,8 [11.6]		
	Mini (cold start)	[PSI abs.]		0,5 [7.2]		
Case pressure	Continuous	bar [PSI]		1,5 [21.7]		
	Maximum (cold start)			2,5 [36.2]		
Charge pressure	Standard version	bar [PSI]		20 [290]		
	Max. charge pressure			30 [435]		

Charge pressure

A charge flow is required to maintain a positive pressure in the low pressure loop of a closed loop hydrostatic transmission. Charge pressure ensures proper lubrication and rotating group operation. It is recommended to maintain the charge pressure at a minimum of 6 bar [87 psi] above case pressure. In case of direct mechanical control (M), charge pressure must be set at 10 bar [145 PSI] mini. In case of servo control (S), charge pressure must be set at 20 bar [290 PSI]. For more details, refer to charge pump paragraph, page 18.

Case pressure

Case pressure must be maintained within the limits shown in the table "Operating parameters". Ensure housing is always filled with hydraulic fluid and especially during start-up of the machine.

Pressure ratings

Maximum peak pressure

It is the maximum allowable pressure. It is equivalent to the maximum setting of the maximum high pressure relief valve. A self-propelled machine can reach the maximum peak pressure value no more than 1-2% of that work cycle.

Work cycle

A fundamental factor for ensuring correct hydrostatic transmission sizing is the machine work cycle (pressure-time ratio, seasonality, pressure vs. percentage of time at max. displacement, machine type). Part service life depends on the correct choice in relation to the work cycle.

Overloads

It is mandatory to protect parts against any possible overloads.

Speed ratings

The table "Operating parameters" gives minimum and maximum rated speeds. Note that all displacements might operate under different speed limits. Definitions of these speed limits appear below.

Maximum speed is the highest operating speed allowed. Over speeding reduces pump life time, can lead to loss of hydrostatic power and braking capacity. Never exceed the maximum speed limit under any operating conditions.

Nominal speed is the speed offering the maximal efficiency.

Inlet pressure

Charge pump inlet pressure is key for acceptable pump life and performances. A continuous inlet pressure of not less than 0,8 bar abs. [11.6 PSI abs.] is recommended. An continuous inlet pressure less than 0.5 bar abs. [7.2 PSI abs.] indicates inadequate inlet design or a restricted filter. Pressures less than 0.5 bar abs. [7.2 PSI abs.] can happen at cold start, but should increase with oil temperature.

Theoretical output

Theoretical output flow is a function of pump displacement and speed. It is relevant to size the rest of the circuit. Theoretical flow does not take into account losses due to leakage or variations in displacement. Refer to performances, page 6, for volumetric and overall efficiencies at various operating speeds and pressures.

Poclain Hydraulics recommendations for fluid



Poclain hydraulics recommends the use of hydraulic fluids defined by the ISO 12380 and ISO 6743-4 standards. For temperate climates, the following types are recommended.

- HM 46 or HM 68 for fixed installations.
- HV 46 or HV 68 for mobile installations.
- HEES 46 for mobile installations.

These specifications correspond to category 91H of the CETOP standard, parts 1, 2 and 3 of the DIN 51524 standard, and grades VG32, VG 46 and VG68 of the ISO 6743-4 standards.



It is also possible to use ATF, HD, HFB, HFC or HFD type hydraulic fluid upon Poclain Hydraulics specific approval of the components' operating conditions.

Standardized designations for the fluids

- **HM** : Mineral fluids having specific antioxidant, anticorrosion and antiwear properties (HLP equivalent to DIN 51524 parts 1 and 2).
- **HV** : HM mineral fluids providing improved temperature and viscosity properties (DIN 51524 part 3).
- **HEES** :Biodegradable fluids based on organic esters.



It is also possible to use a fluid that meets the biodegradability criteria and is compatible in the event of accidental food contact. The BIOHYDRAN FG 46 fluid designed by the company Total has undergone testing of its properties and performance on our test benches. Since this type of fluid has not yet been categorized, it is the responsibility of machine manufacturers to validate its compatibility with all of the components used in order to guarantee that the intended functions will be fulfilled and this for the desired life time of all equipment items.



For biodegradable fluids, consult your Poclain Hydraulics' application engineer



During operation, the temperature of the oil must be between 0°C [32°F] and 80°C [176°F]; the minimum and maximum temperatures may be exceeded momentarily by ± 20°C [± 68°F] for a duration of less than 30 minutes. For all applications outside these limits, please consult with your Poclain Hydraulics' application engineer.

Fluid and filtration

The contaminating particles suspended in the hydraulic fluid cause the hydraulic mechanisms moving part wear. On hydraulic pumps, these parts operate with very small dimensional tolerances. In order to reach the part life, it is recommended to use a filter that maintains the hydraulic fluid contamination class at a max. of:

- 9 according to NAS 1638
- 20/18/15 according to ISO 4406:1999

According to the type of application decided for the pump, it is necessary to use filtration elements with a filtration ratio of:

$$\beta_{20 \text{ to } 30} \geq 100$$

Making sure that this ratio does not worsen together with the increasing of the filter cartridge differential pressure.

If these values cannot be observed, the component life will consequently be reduced and it is recommended to contact the Poclair Hydraulics Customer Service.

Filters on charge circuit

Filters on the charge circuit (F0-F2) are designed without by-pass. The max. pressure drop on the filtration part must not exceed 2 bar [29 PSI] (3 bar [43.5 PSI] in case of cold starting) at pump full rating. To monitor the pressure drop, it is recommended to use the clogging indicator on the filtration element (F2 option). Contact your Poclair Hydraulics Application engineer, each time the pump is not charged by its internal charge pump.

Filters on charge circuit are mounted on the pump special support.

Filters assembling

The suction filter is mounted on the suction line. Check that the pressure before the charge pump is 0.8 bar abs. [11.6 PSI abs.], measured on the pump suction port (0.5 bar [7.2 PSI] for cold starting).

Viscosity range

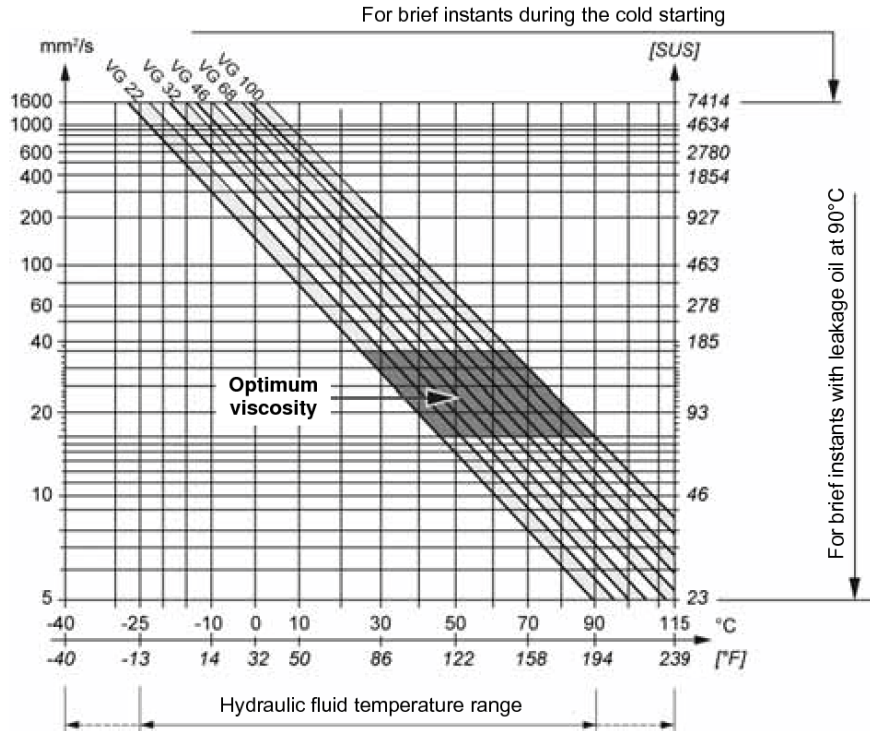
For both max. efficiency and life of the unit, the operative viscosity should be chosen within the optimum range of:

ν_{opt} = optimum operating viscosity from 16 to 36 mm²/s [from 74.1 to 166.8 SUS] referred to the closed loop temperature.

Working conditions: the following limits of viscosity apply

ν_{min} = 5 mm²/s [23 SUS] short-duration at a max. permissible leakage oil temperature of 90° C [194 °F]

ν_{max} = 1000 mm²/s [4 634 SUS] short-duration, on cold start.



Ensure fluid temperature and viscosity limits are concurrently satisfied.

SYSTEM DESIGN PARAMETERS



Consult your Poclairn Hydraulics application engineer to validate your design parameters before using the pump in your application.

Sizing equations

The following equations are helpful when sizing hydraulic pumps. Generally, the sizing process is initiated by an evaluation of the machine system to determine the required motor speed and torque to perform the necessary work function. First, the motor is sized to transmit the maximum required torque. The pump is then selected as a flow source to achieve the maximum motor speed.

	Output flow Q	= $\frac{V_g \cdot n \cdot \eta_v}{1000}$	(l/min)
SI units	Input torque M	= $\frac{V_g \cdot \Delta p}{20 \cdot \pi \cdot \eta_m}$	(N.m)
	Input power P	= $\frac{M \cdot n \cdot \pi}{30\,000} = \frac{Q \cdot \Delta p}{600 \cdot \eta_t}$	(kW)
	Output flow Q	= $\frac{V_g \cdot n \cdot \eta_v}{231}$	[GPM]
US units	Input torque M	= $\frac{V_g \cdot \Delta p}{2 \cdot \pi \cdot \eta_m}$	[lbf.in]
	Input power P	= $\frac{M \cdot n \cdot \pi}{198\,000} = \frac{Q \cdot \Delta p}{1714 \cdot \eta_t}$	[hp]

V_g = Displacement per revolution cm^3/tr [in^3/rev]
 Δp = $p_o - p_i$ (system pressure) bar [PSI]
 n = Speed min^{-1} [rpm]
 η_v = Volumetric efficiency
 η_m = Mechanical efficiency
 η_t = Overall efficiency = $\eta_v \times \eta_m$

Redundant braking system requirement

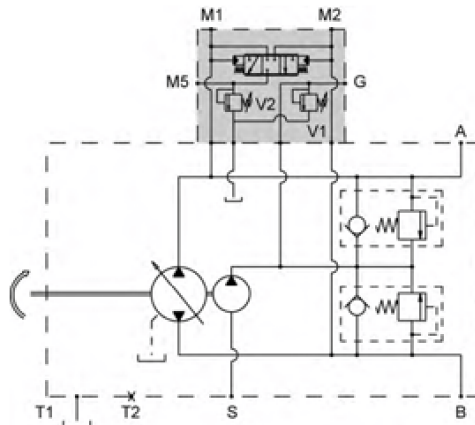


Unintended vehicle or machine movement hazard.
 The loss of hydrostatic drive line power, in any mode of operation (forward, neutral, or reverse) may cause the system to lose hydrostatic braking capacity. You must provide a braking system, redundant to the hydrostatic transmission, sufficient to stop and hold the vehicle or machine in the event of hydrostatic drive power loss.

Loop flushing

Closed circuit may require a flushing valve to meet temperature and cleanliness requirements. A flushing valve takes a part of hot fluid flow from the low pressure loop of the system loop for cooling and filtering. Make sure that the charge pump provides adequate flow for the flushing valve flushing and the flushing valve does not cause charge pressure to drop below recommended limits.

See option VS page 38 for more information



Reservoir

The reservoir provides clean fluid, dissipates heat, and removes entrained air from the hydraulic fluid. It allows for fluid volume changes associated with fluid expansion and cylinder differential volumes. Minimum reservoir capacity depends on the volume needed to perform these functions. Typically, a capacity of one half the charge pump flow (per minute) is satisfactory for a closed reservoir. Open circuit systems sharing a common reservoir require greater fluid capacity.

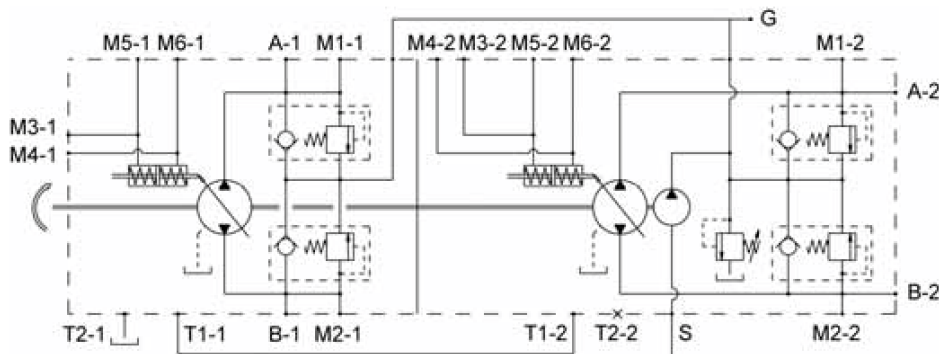
Locate the reservoir outlet (suction line) near the bottom, allowing clearance for settling foreign particles. Use a 100 - 125 µm screen covering the outlet port.

Place the reservoir inlet (return lines) below the lowest expected fluid level, as far away from the outlet as possible.

Use a baffle (or baffles) between the reservoir inlet and outlet ports to promote de-aeration and reduce fluid surging.

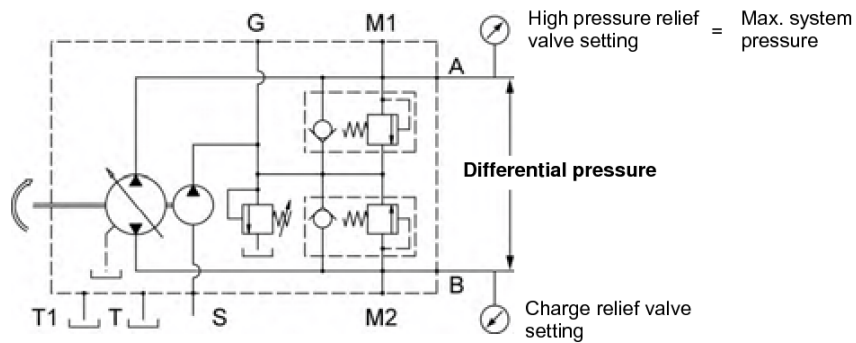
Case drain usage for tandem pump

On tandem pumps, and to ensure lubrication of both pumps, excess flow from the first pump charge relief valve must be routed into the housing of the second pump.



Differential pressure

The differential pressure is the High pressure relief valve setting minus Charge relief valve setting.



Bearing life and external shaft loading

Bearing life:

Bearing life is a function of speed, pressure, swashplate angle and external loads. Oil type and viscosity impact bearing life.

	Bearing life (B ₁₀ hours)
PMV0-07	32 560
PMV0-09	15 480
PMV0-11	6 990
PMV0-14	4 500
PMV0-18	2 300

Shaft Loads

Normal bearing life in B₁₀ hours is shown in the above table. Figures have been calculated under the following operating conditions : a continuous differential pressure of 120 bar [1 740 PSI], 1 800 rpm shaft speed, maximum displacement, without any external shaft side load. The data is based on a 50% forward, 50% reverse duty cycle, standard charge pump size, and standard charge pressure (20 bar [290 PSI]).

PMV0 pumps are designed with bearings that can accept external radial and thrust loads. The external radial shaft load limits depend on the load position, orientation, and operating conditions of the unit.

The maximum permissible radial load (Re), is based on the maximum external moment (Me), and the distance (L) from the mounting flange to the load. It may be determined using the table and formula below. Thrust (axial) load limits are also shown.

$$Re = Me / L$$

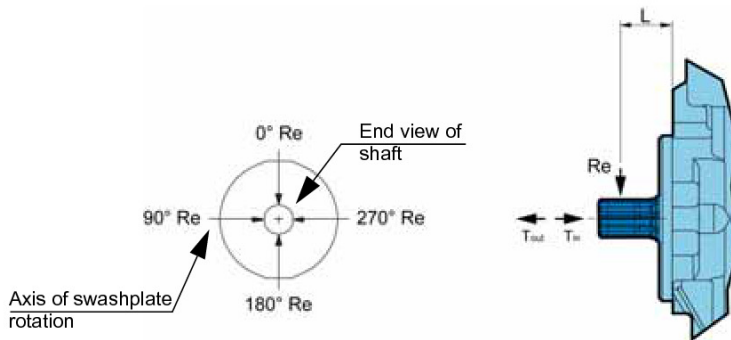
All external shaft loads affect bearing life. In applications with external shaft loads, minimize the impact by positioning the load at 90° or 270° as shown in the figure.

Contact your Poclain Hydraulics representative for an evaluation of unit bearing life if:

- Continuously applied external loads exceed 25 % of the maximum allowable radial load Re.
- The pump swashplate is positioned on one side of center all or most of the time.
- The unit bearing life (B₁₀) is critical.

	PMV0-07	PMV0-09	PMV0-11	PMV0-14	PMV0-18
External moment (Me) N.m [in.lbf] (Based on shaft deflection)	66	60	51	45	35

Radial and thrust load position



Hydraulic unit life

Hydraulic unit life is the life expectancy of the hydraulic components. It depends on speed and system pressure even if , system pressure is the dominant operating variable. High pressure, generated by high load, reduces hydraulic unit life.

Design the hydraulic system according to the expected machine duty cycle. Take in consideration the expected percentages of time at various loads and speeds. Ask your Poclain Hydraulics representative to calculate an appropriate pressure based your hydraulic system design. If duty cycle data is not available, input power and pump displacement are used to calculate system pressure.

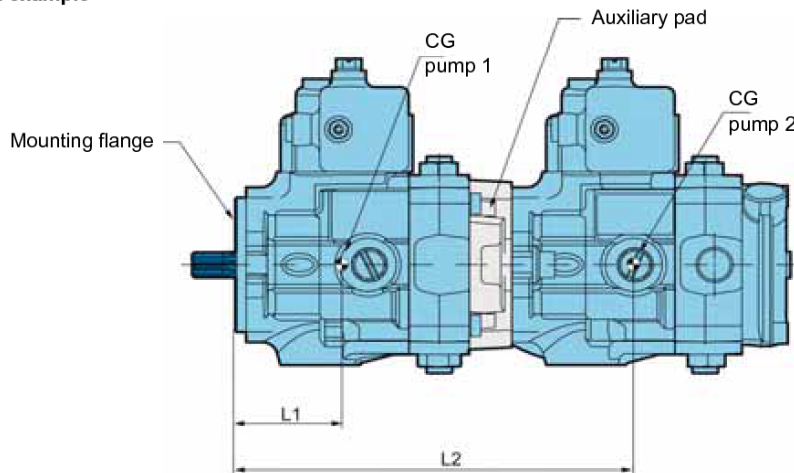
All pressure limits are differential pressures (referenced to charge pressure) , taking a normal charge pressure in consideration.

PMV0 pumps will meet satisfactory life expectancy if applied within the parameters specified in this technical documentation. For more detailed information on hydraulic unit life see Operating Parameters in page 9.

Mounting flange loads

Adding tandem mounted pumps, and/or tandem auxillary pump(s), subjecting pumps to shock loads may generate excessive loads on the front mounting flange. The overhung load moment for multiple pump mounting can be estimated as shown in the figure below

Overhung load example



Estimating overhung load moments

W = Weight of pump (kg)
 L = Distance from mounting flange to pump center of gravity (CG)
 $M_R = G_R (W_1L_1 + W_2L_2 + \dots + W_nL_n)$
 $M_S = G_S (W_1L_1 + W_2L_2 + \dots + W_nL_n)$

- Where:
 M_R = Rated load moment (N.m)
 M_S = Shock load moment (N.m)
 G_R* = Rated (vibratory) acceleration (G's) (m/sec²)
 G_S* = Maximum shock acceleration (G's) (m/sec²)

*Calculations will be carried out by multiplying the gravity (g = 9.81 m/sec²) with a given factor. This factor depends on the application.

Allowable overhung load moments are shown in the table below. Values in the table are valid for all displacements. Exceeding these values requires additional pump support.

	Rated moment (MR)	Shock moment (MS)
	Nm [in.lbf]	Nm [in.lbf]
PMV0 - 07, 09, 11, 14, 18	247 [2186]	400 [3540]



For an accurate calculation, consult your Poclain Hydraulics application engineer.

FEATURES

High pressure relief valve

The High pressure relief valves maintain circuit pressure in the proper range. The check valves allow charge flow to replenish the low pressure loop of the circuit. The high pressure relief valves ensure a high pressure protection of the high pressure loop of the circuit.

High pressure relief valves are available in a range of settings.

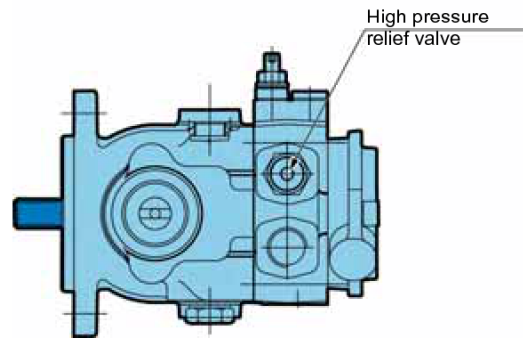
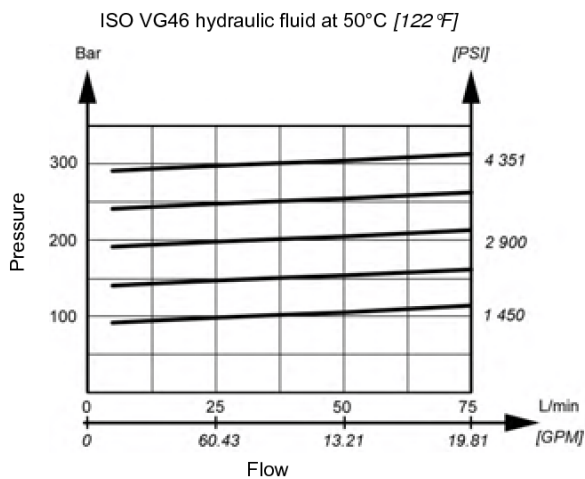
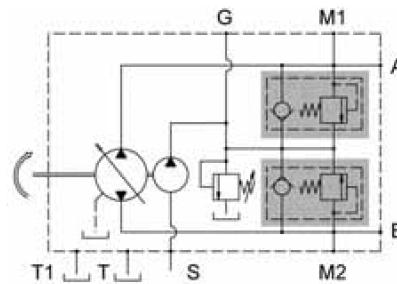
When high pressure relief valves are not desired, pumps is equipped with charge circuit check valves only.



High pressure relief valves are intended for transient overpressure protection and are not intended for continuous pressure control. Flow over relief valves for extended periods of time may result in severe heat build up. High flows over relief valves may result in pressure levels exceeding the nominal valve setting and potential damage to system components.



High pressure relief valve	Available setting bar [PSI]	
Without	-	00
	100 [1 450]	10
	150 [2 175]	15
With	200 [2 900]	20
	250 [3 625]	25
	300 [4 351]	30



The high pressure relief valve setting is not the differential pressure between A and B ports (see page 13).

Charge relief valve

The charge pressure relief valve provides a relief outlet for charge circuit. This valve is used to set the charge pressure of the circuit. Flow through the valve is ported to case.

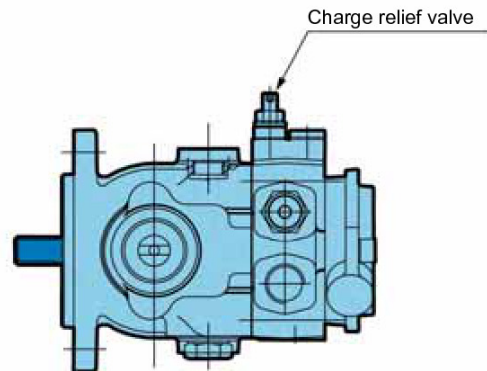
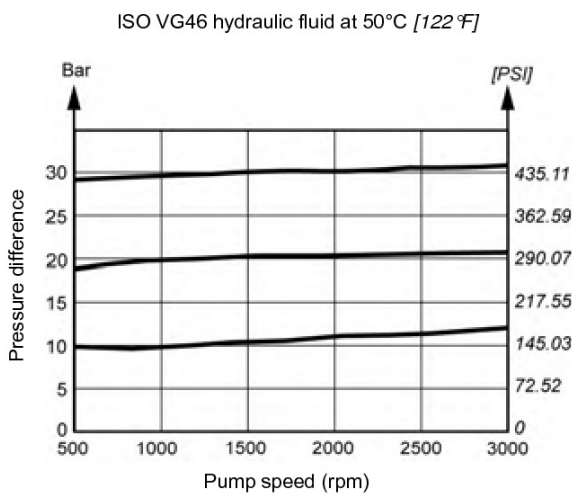
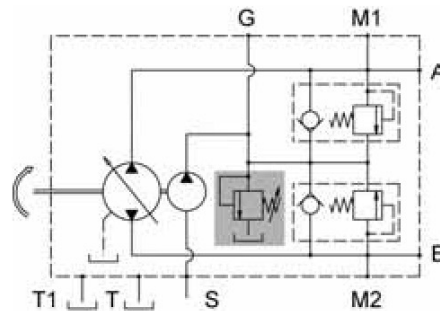
The nominal charge relief setting is referenced to case pressure.



Incorrect charge pressure settings may result in the inability to build required system pressure and/or inadequate loop flushing flows. Ensure correct charge pressure under all conditions of operation to maintain pump control performance.



Charge relief valve		Available setting bar [PSI]	
Without		-	00
With	Only for controls M and N	10 [145]	10
	For all controls	20 [290]	20

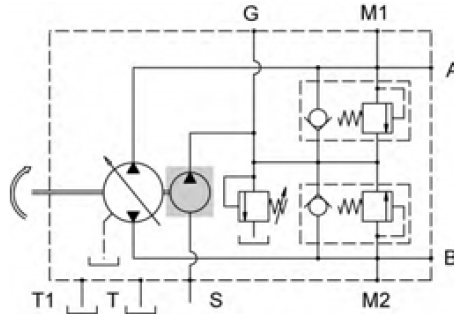


Charge pump

Charge flow is required on all PMVO pumps used in closed circuit installations. The charge pump provides flow to make up internal leakage, maintain a positive pressure in the main circuit, provide flow for cooling and filtration, replace any leakage losses from external valving or auxiliary systems, and to provide flow and pressure for the control system.

Many factors influence the charge flow requirements. These factors include system pressure, pump speed, pump swashplate angle, type of fluid, temperature, size of heat exchanger, length and size of hydraulic lines, control response characteristics, auxiliary flow requirements, hydrostatic motor type, etc.

Unusual application conditions may require a more detailed review of charge pump sizing. Charge pressure must be maintained at a specified level under all operating conditions to prevent damage to the transmission. Poclairn Hydraulics recommends testing under actual operating conditions to verify this.



Charge pump sizing/selection

In most applications, a general guideline is that the charge pump displacement should be at least 20% of the main pump displacement.

1
 2
 3
 4
 5
 6
 7
 8
 9
 10
 11
 12

Charge pump	Displacement cm ³ /rev [in ³ /rev]	Rated speed (rpm)	
Without	-	-	00
With	4,9 [0.30]	3900	05

Contact your Poclairn Hydraulics application engineer for more information.

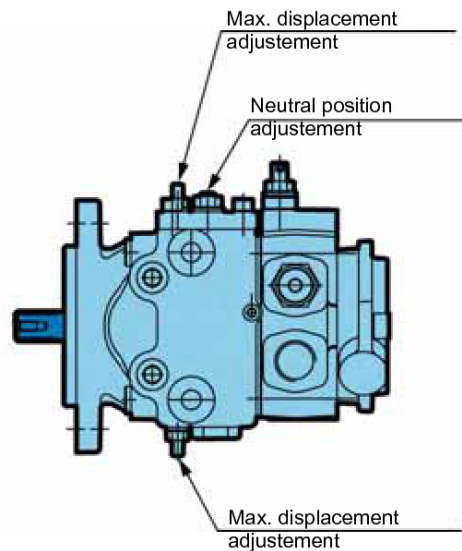
Displacement limiters

PMV0 with hydraulic servo control (S) are designed with mechanical displacement (stroke) limiters. You can limit maximum displacement of the pump to a certain per-cent of its maximum displacement to near zero in both direction.

The displacement limiters are located on the both sides of the servo piston and are adjustable by screw.



Take care in adjusting displacement limiters to avoid an undesirable condition of output flow or speed. Retorque the sealing lock nut after every adjustment to prevent an unexpected change in output conditions and to prevent external leakage during pump operation.



By-pass

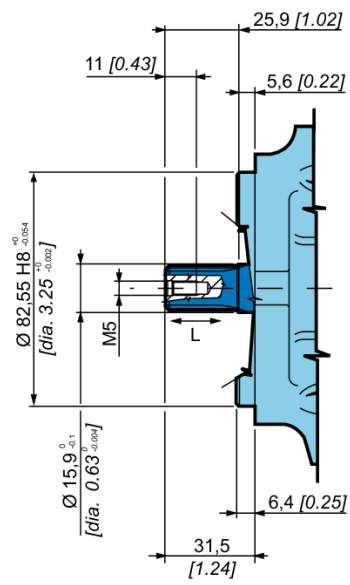
See "Options" chapter page 32 for more information.

Mounting flange and shafts

SAE A - Splined shaft

P	M	V	O	1	2	3	4	5	6	7	8	9	10	11	12
---	---	---	---	---	---	---	---	---	---	---	---	---	----	----	----

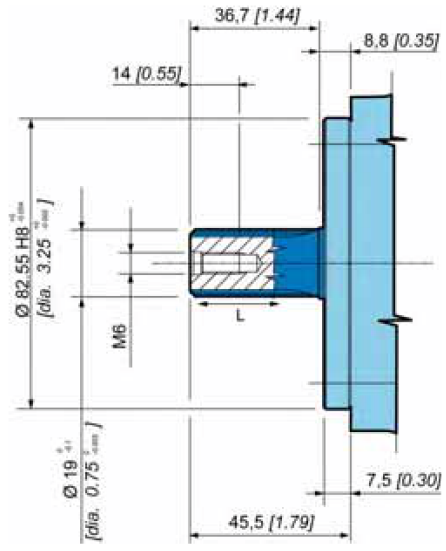
S1 9 teeth; Max torque: 80 N.m [708 in.lbf]



Splined ANSI B92.1a-1976
 Pitch 16/32" DP
 Pressure angle: 30°
 Tolerance class: 5
 Thread M5 UNI 9321

Effective length (L) = $17,5^{+1,5}_0 [0.69^{+0.06}_0]$

S2 11 teeth; Max torque: 140 N.m [1 239 in.lbf]



Splined ANSI B92.1a-1976
 Pitch 16/32" DP
 Pressure angle: 30°
 Tolerance class: 5
 Thread M6 UNI 9321

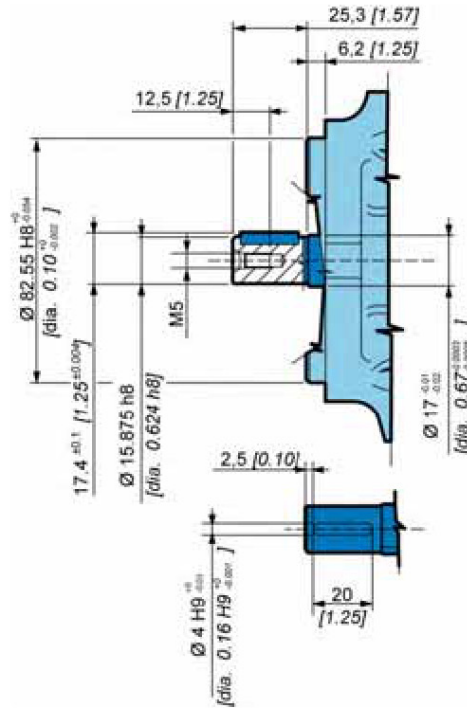
Effective length (L) = $27,2^{+1,5}_0 [1.07^{+0.06}_0]$



SAE A - Key shaft

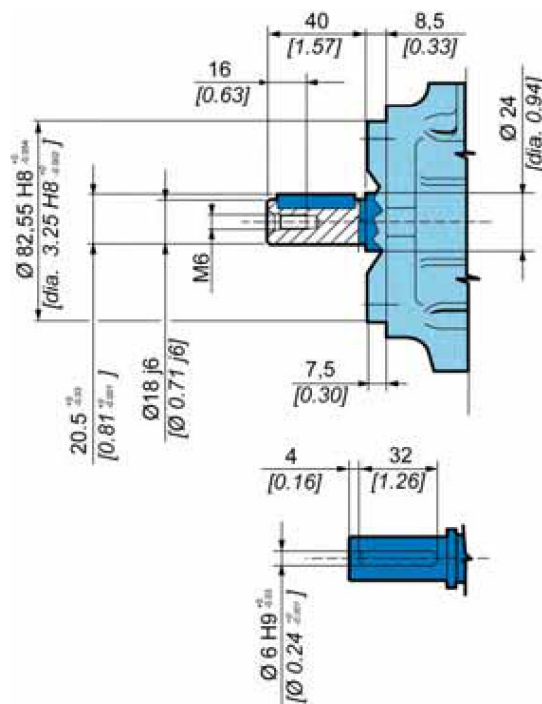
P	M	V	0	1	2	3	4	5	6	7	8	9	10	11	12
---	---	---	---	---	---	---	---	---	---	---	---	---	----	----	----

C1 Ø 15,875 [dia. 0.624]; Max. torque: 65 N.m [575 in.lbf]



Thread M5 UNI 9321

D2 Ø 18 [dia. 0.71]; Max. torque: 100 N.m [885 in.lbf]



Thread M6 UNI 9321

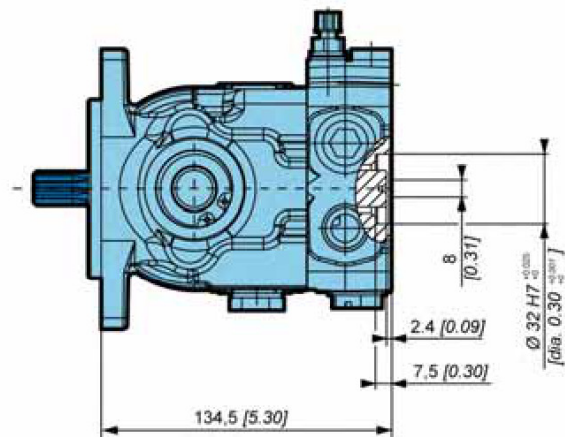
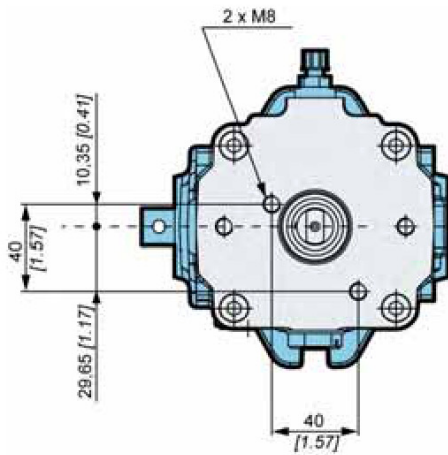
Auxiliary mounting pad

German group 1

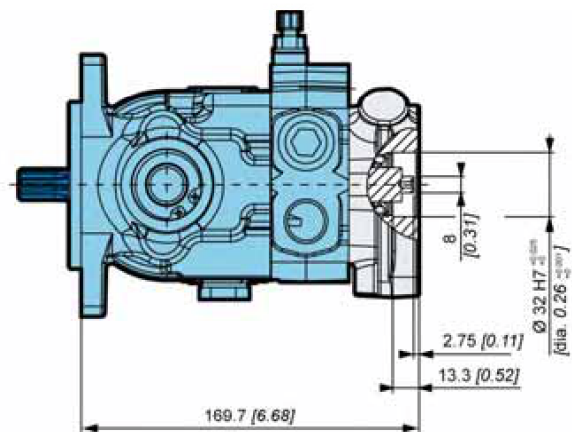
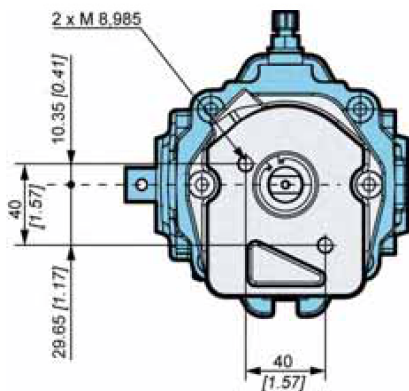
Max. torque: 48 N.m [425 in.lbf]



00 Without charge pump



05 With charge pump: 4,9 cm³/rev [0.30 in³/rev]



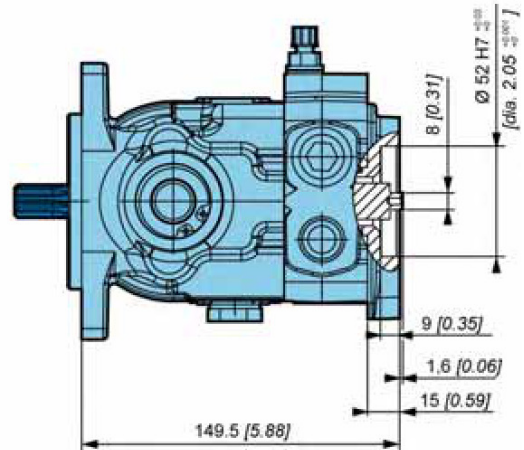
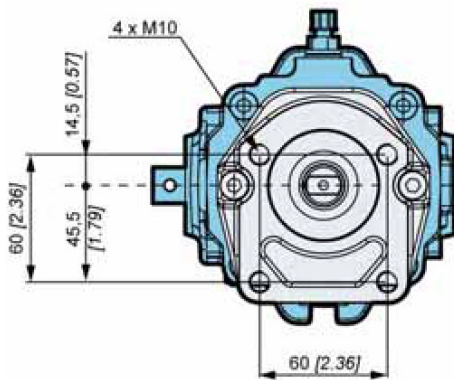
Do not rotate the auxiliary mounting pad cover.

German group 2

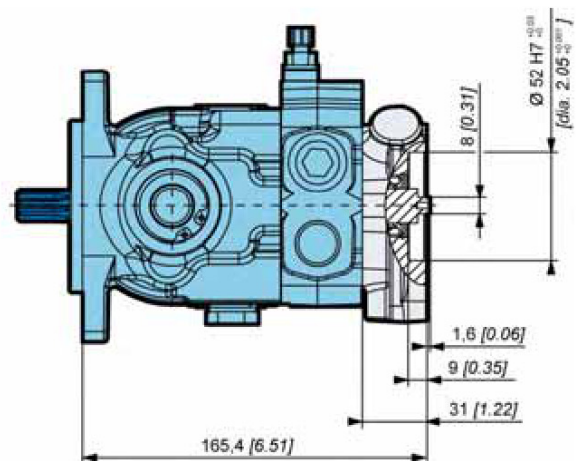
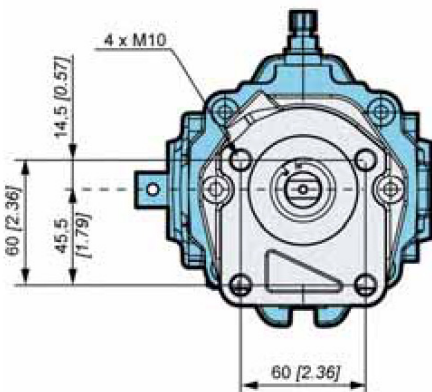
Max. torque: 70 N.m [620 in.lbf]



00 Without charge pump

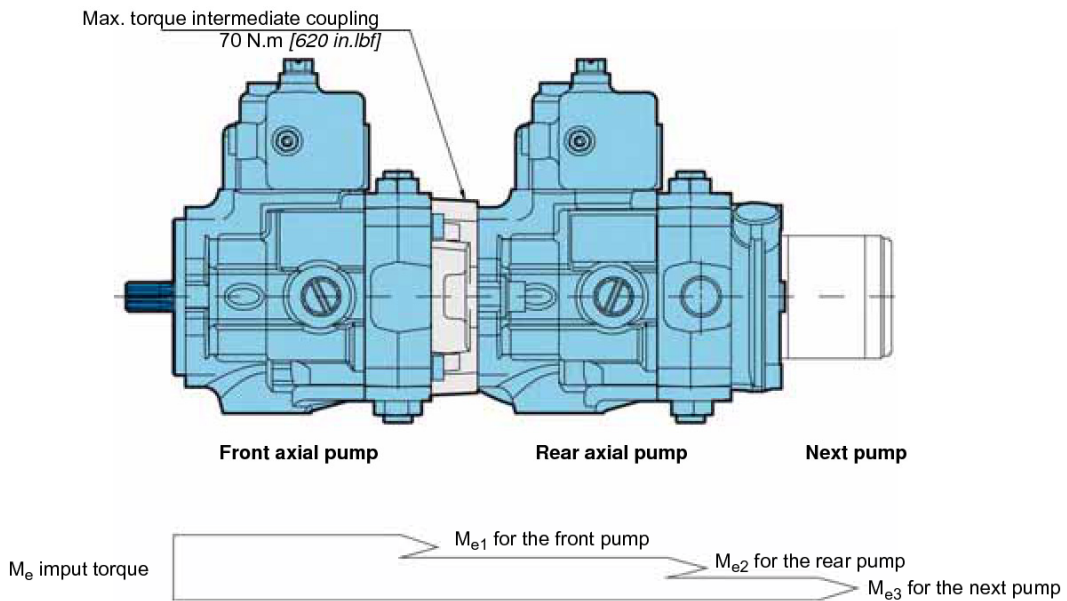


05 With charge pump: 4,9 cm³/rev [0.30 in³/rev]



Do not rotate the auxiliary mounting pad cover.

Tandem pumps

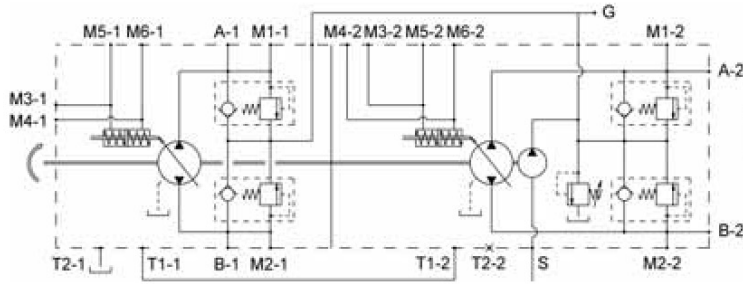


Torque required by auxiliary pumps is additive. Ensure requirements don't exceed shaft torque ratings.



Number of charge pump in the tandem	Axial pump	Mounting flange and shaft		Charge pump	Auxiliary mounting flange		
0 charge pump	Front	SAE A; 9 teeth	S1	Without	00	Tandem fitting	T
		SAE A; 11 teeth	S2				
		Key shaft Ø 18 [dia. 0.71]	D2				
	Rear	Shaft for secondary tandem pump	T1	Without	00	Without auxiliary mounting pad	S
						German group 1	F
						German group 2	G
1 charge pump*	Front	SAE A; 9 teeth	S1	Without	00	Tandem fitting	T
		SAE A; 11 teeth	S2				
		Key shaft Ø 18 [dia. 0.71]	D2				
	Rear	Shaft for secondary tandem pump	T1	With	05	Without auxiliary mounting pad	S
						German group 1	F
						German group 2	G

*** The charge pump can only be located on the rear axial pump.**



Ports T and G of the first pump must be connected with ports T and G of the second pump.

Gear pumps



Auxiliary mounting pad Gear pump

	Displacement cm ³ /rev [cu.in/rev]	Pressure			Dimension			Mass Kg [lb]	Efficiency %
		Continuous max. pressure bar [PSI]	Max. intermittent pressure bar [PSI]	Max. peak pressure bar [PSI]	A mm [in]	B mm [in]	C mm [in]		
F 	01	1,6 [0.10]	210 [3 045]	240 [3 480]	260 [3 770]	76,4 [3.01]			95*
	02	2,0 [0.12]	210 [3 045]	240 [3 480]	260 [3 770]	77,9 [3.07]			
	03	3,2 [0.19]	200 [2 900]	240 [3 480]	250 [3 625]	82,6 [3.25]	67	70	
	04	4,2 [0.26]	180 [2 610]	210 [3 045]	230 [3 335]	86,5 [3.41]	[2.64]	[2.76]	
	05	5,0 [0.30]	180 [2 610]	210 [3 045]	230 [3 335]	89,6 [3.53]			
	06	6,3 [0.38]	170 [2 465]	190 [2 755]	210 [3 045]	94,7 [3.73]			
G 	04	4,5 [0.27]	250 [3 625]	270 [3 915]	290 [4 205]	90,3 [3.55]			95*
	06	6,0 [0.37]	250 [3 625]	270 [3 915]	290 [4 205]	93,6 [3.68]			
	08	8,5 [0.52]	250 [3 625]	270 [3 915]	290 [4 205]	97,8 [3.85]			
	11	11,0 [0.67]	250 [3 625]	270 [3 915]	290 [4 205]	101,9 [4.01]	88	100	
	14	14,0 [0.85]	250 [3 625]	270 [3 915]	290 [4 205]	106,9 [4.21]			
	17	16,5 [1.01]	230 [3 335]	240 [3 480]	250 [3 625]	111,1 [4.37]			
	20	19,5 [1.19]	210 [3 045]	220 [3 190]	230 [3 335]	116,1 [4.57]			

* Value collected during the testing at 1500 rpm



Gear pumps are always delivered flanged on the axial pump. They can not be sold alone.

CONTROLS

Direct mechanical control

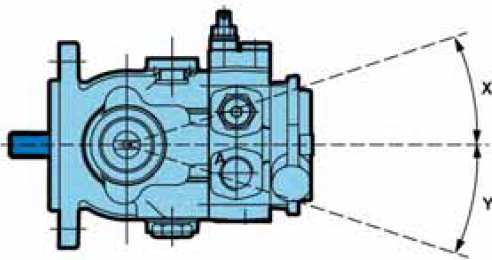
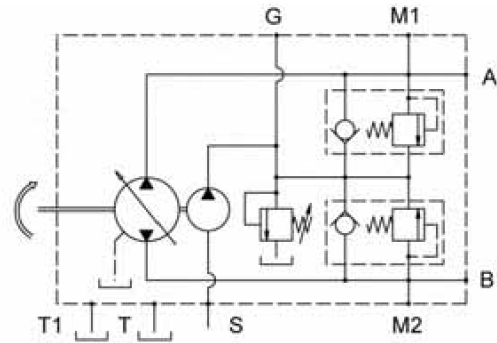


The variation in pump displacement is obtained by rotating the lever shaft in a clockwise or counter-clockwise direction.

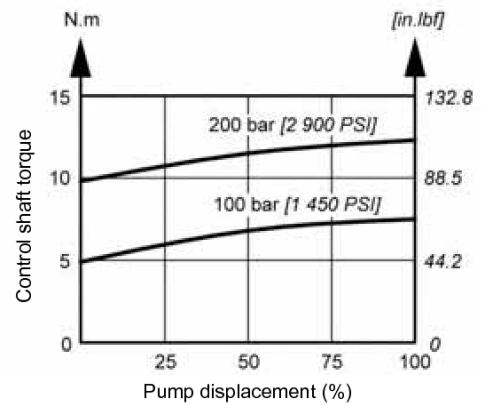
The lever shaft is directly linked to the pump swashplate. The max. angle is at 18°.

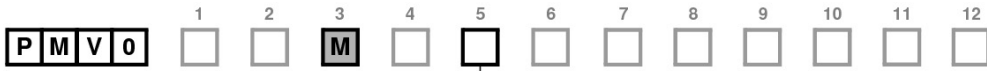
Flow rate determination

Rotation	Pressure	Output	Input
Clockwise (R)	X	A	B
	Y	B	A
Counter clockwise (L)	X	B	A
	Y	A	B



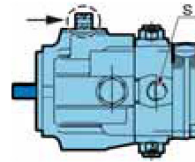
Control shaft torque





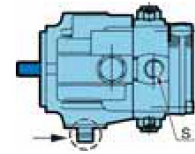
Control Position

Control on the top



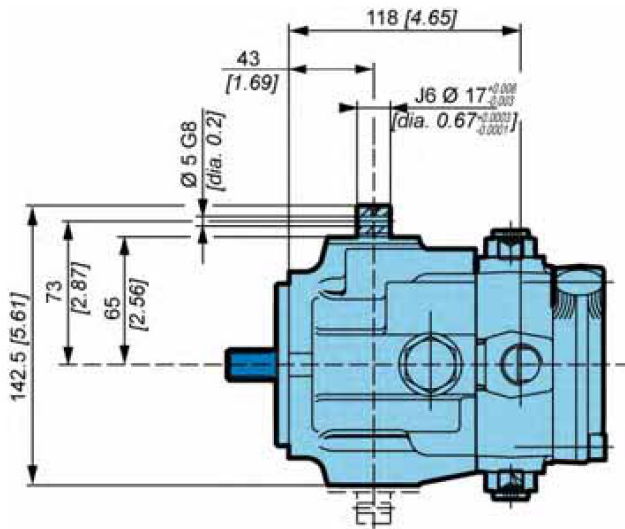
A0

Control at the bottom

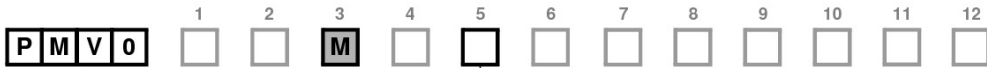


B0

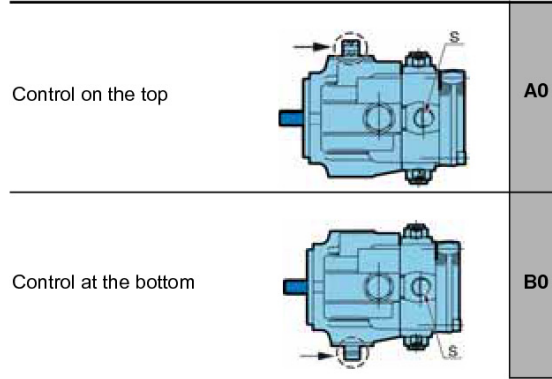
Dimensions



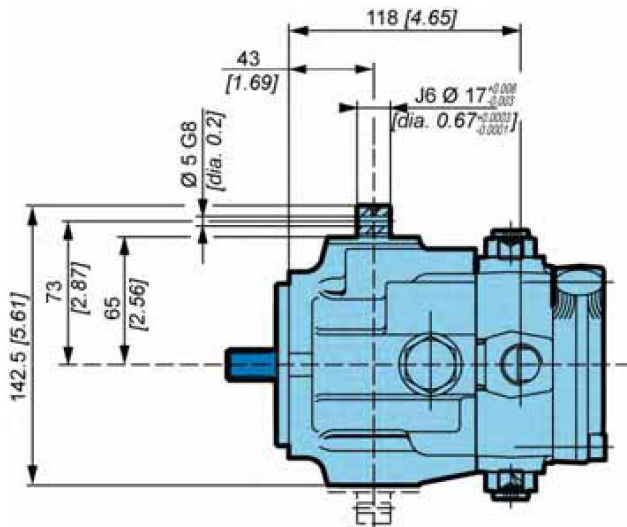
See page 7 for other dimensions and port characteristics.



Control Position



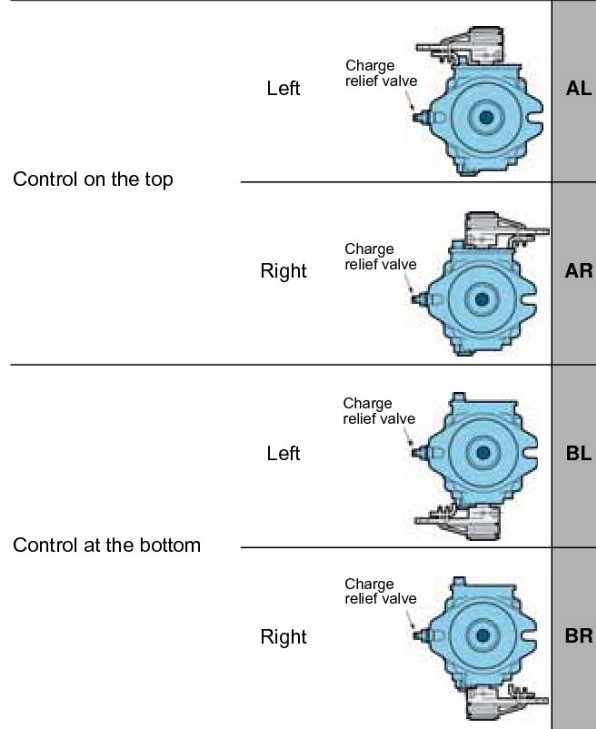
Dimensions



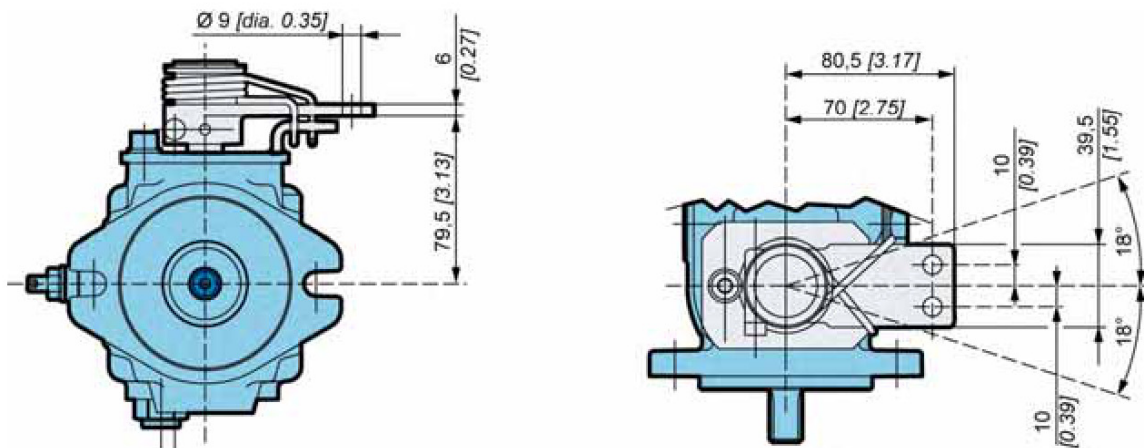
See page 7 for other dimensions and port characteristics.



Control position



Dimensions



See page 7 for other dimensions and port characteristics.

Hydraulic servo control



The variation in pump displacement is obtained by adjusting the pressure on the M3 and M4 or M5 and M6 servo control connections by means of a hydraulic proportional joystick (containing pressure reduction valves).

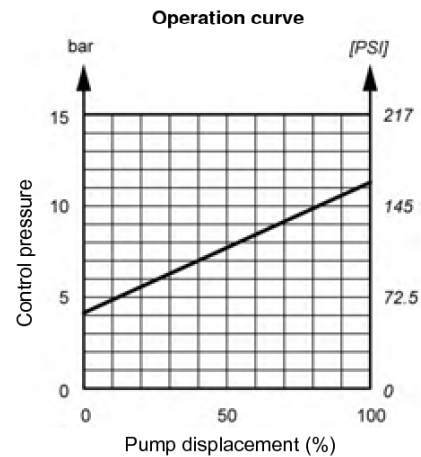
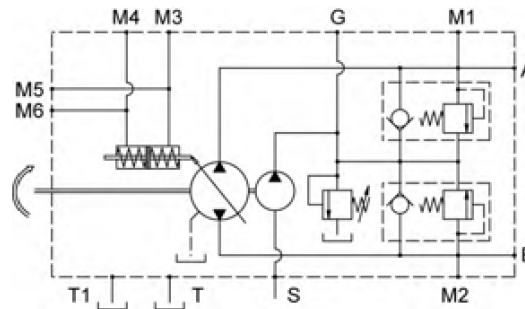
The joystick supply can be obtained by taking pressure from the auxiliary pump (G connection).

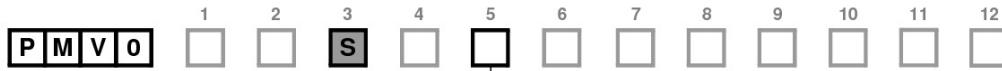
The servo control timing can be adjusted by inserting a restrictor on the joystick supply line (from 0.5 to 1,2 mm [from 0.02 to 0.05 in]) or between the joystick and servo piston of the pump.

The servo control operation curve in both control directions goes from 4 to 11 bar [from 58 to 159 PSI] (tolerance ± 5%). The adjustment curve of the hydraulic control system has to be wider (from 4 to 15 bar [from 58 to 217 PSI]).

Flow rate determination

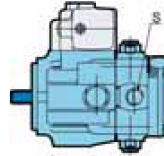
Rotation	Pressure	Output	Input
Clockwise (R)	M3 - M5	B	A
	M4 - M6	A	B
Counter clockwise (L)	M3 - M5	A	B
	M4 - M6	B	A





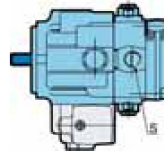
Control position

Control on the top



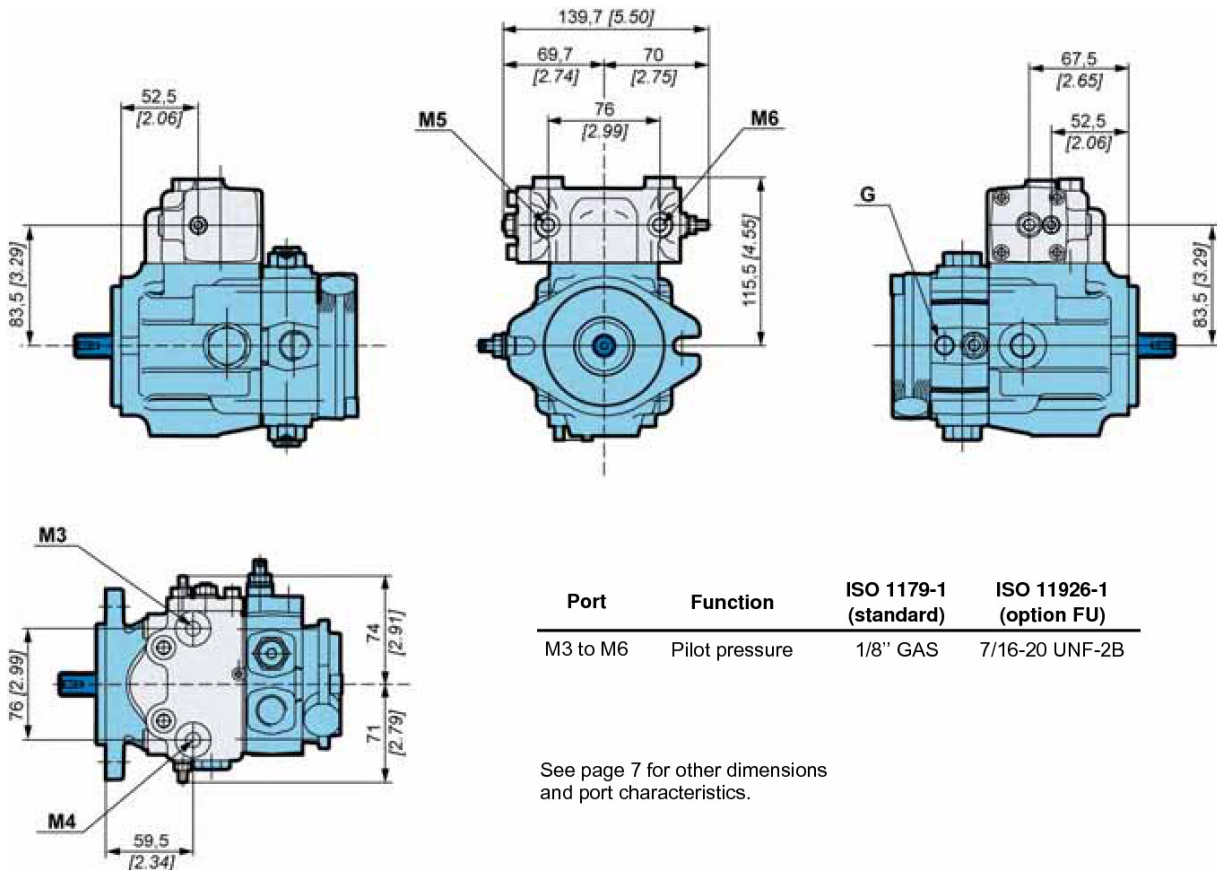
A0

Control at the bottom



B0

Dimensions

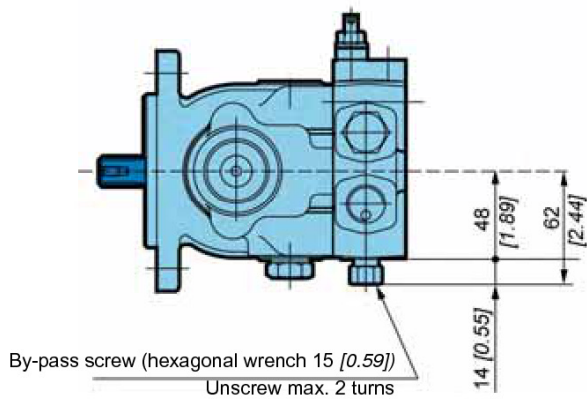
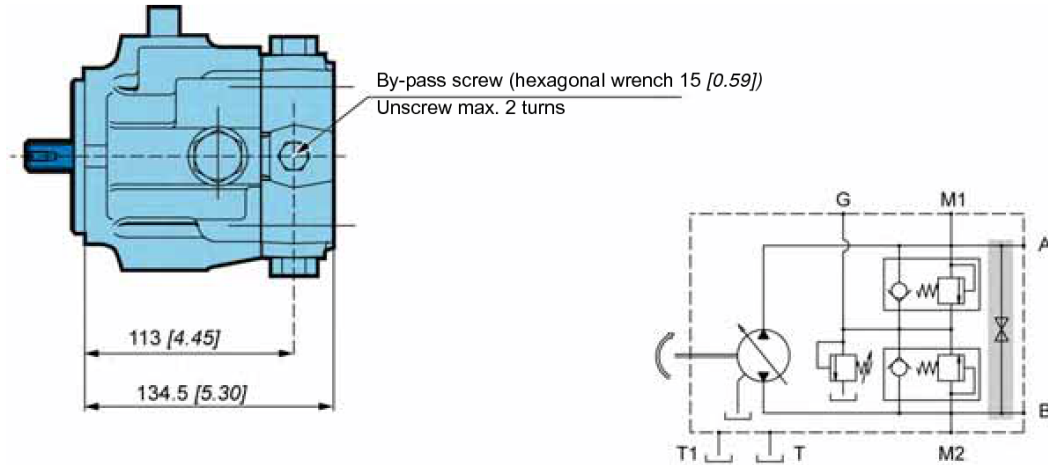


OPTIONS

Screw by-pass



PMV0 features a by-pass function. By-passing Port A and Port B is achieved by unscrewing a screw located on the cover. The by-pass connect the ports A-B and must be use only in emergency case and only for short movement.



The screw by-pass is only available without charge pump.



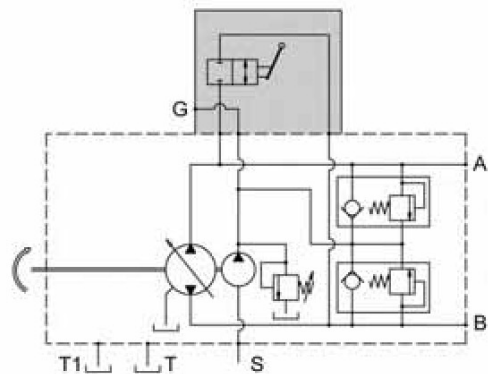
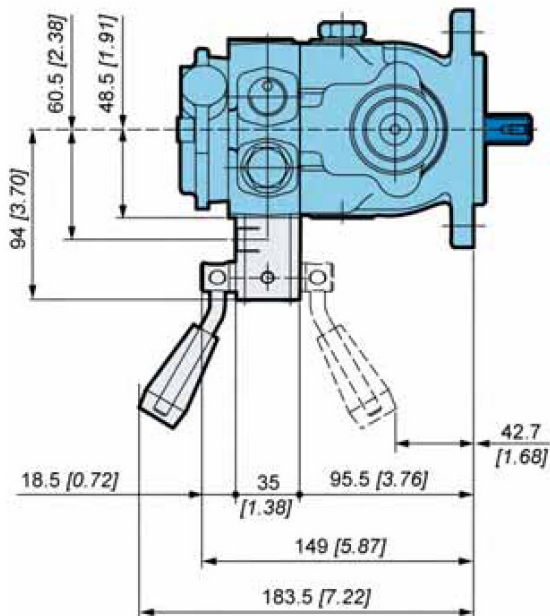
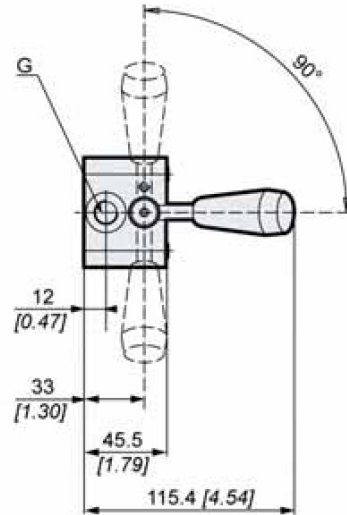
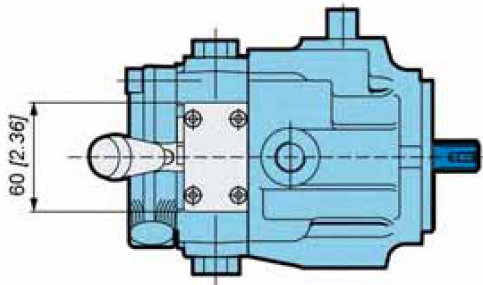
To avoid leakage, do NOT exceed two turns of the screw.



By-pass valve is intended for moving a machine for very short distances at very slow speeds. It is NOT intended as tow valve.

Lever by-pass

P	M	V	0	1	2	3	4	5	6	7	8	9	10	11	12
				<input type="checkbox"/>	<input type="checkbox"/>	<input type="checkbox"/>	<input type="checkbox"/>	<input type="checkbox"/>	<input type="checkbox"/>	<input type="checkbox"/>	<input type="checkbox"/>	<input type="checkbox"/>	<input type="checkbox"/>	<input type="checkbox"/>	<input checked="" type="checkbox"/> BL



By-pass valve is intended for moving a machine for very short distances at very slow speeds. It is NOT intended as tow valve.

Electrical by-pass with brake engaged



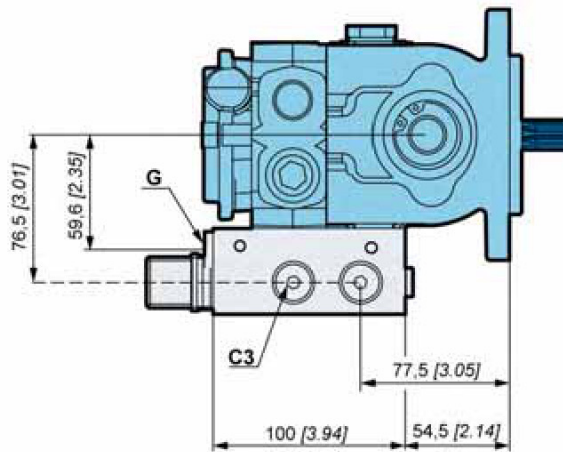
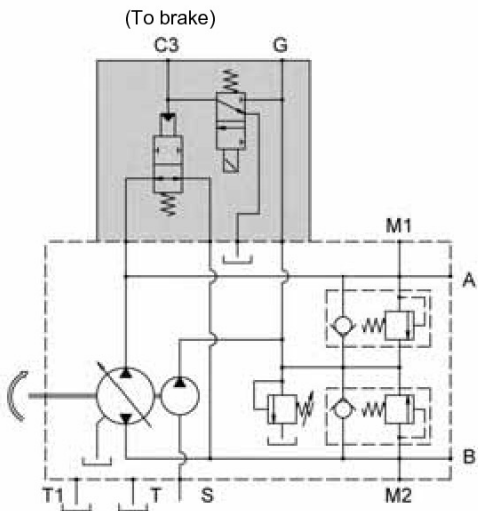
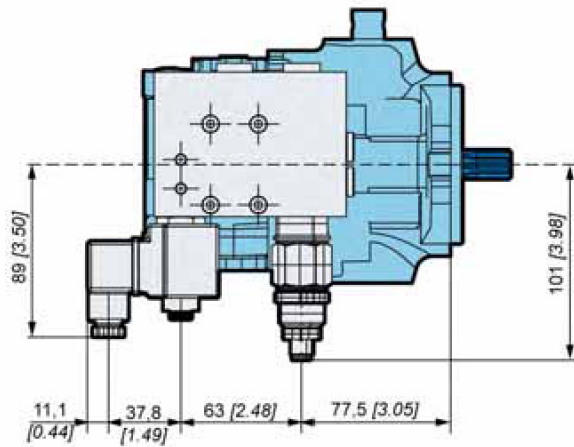
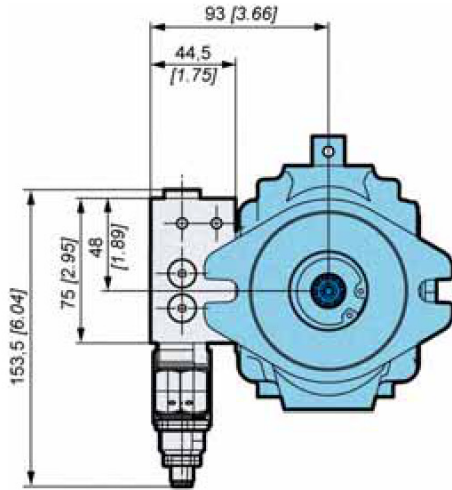
BF option is a safety feature.

Without electrical control, pump is in by-pass and parking brake is applied (there is no charge pressure on C3 port).

With electrical control, pump is not in by-pass and parking brake can be release (there is charge pressure on C3 port).

Supply voltage

12V	BF12
24V	BF24



Type of connector: DIN 43650

Roller bearing

		1	2	3	4	5	6	7	8	9	10	11	12
P	M	V	O	<input type="checkbox"/>	<input checked="" type="checkbox"/>	<input type="checkbox"/>	<input type="checkbox"/>	<input type="checkbox"/>	<input type="checkbox"/>	<input type="checkbox"/>	<input type="checkbox"/>	<input type="checkbox"/>	<input checked="" type="checkbox"/>
			S1 or C1										CR

It is an optional high capacity bearing.

Depending on the characteristics of the shaft load, the duty cycle of the application and the expected life time of your application, Roller bearing might be needed.

Consult your Poclair Hydraulics Application Engineer.

Fluorinated elastomer seals

		1	2	3	4	5	6	7	8	9	10	11	12
P	M	V	O	<input type="checkbox"/>	<input type="checkbox"/>	<input type="checkbox"/>	<input type="checkbox"/>	<input type="checkbox"/>	<input type="checkbox"/>	<input type="checkbox"/>	<input type="checkbox"/>	<input type="checkbox"/>	<input checked="" type="checkbox"/>
													EV

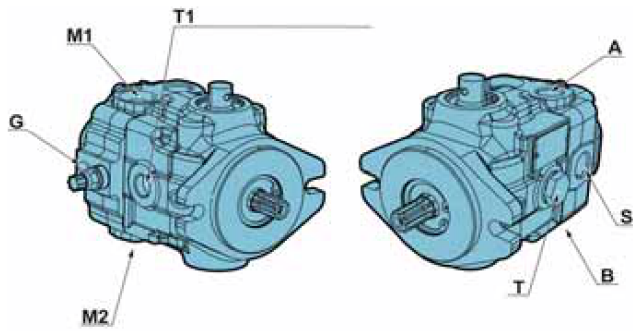
Standard NBR sealing are designed to resist to temperature up to 90°C [194 °F] and to HV type oils.

If your application is outside these limits, Fluorinated elastomer seals might be recommended.

Consult your Poclair Hydraulics Application Engineer.

UNF threads ports

		1	2	3	4	5	6	7	8	9	10	11	12
P	M	V	O	<input type="checkbox"/>	<input type="checkbox"/>	<input type="checkbox"/>	<input type="checkbox"/>	<input type="checkbox"/>	<input type="checkbox"/>	<input type="checkbox"/>	<input type="checkbox"/>	<input type="checkbox"/>	<input checked="" type="checkbox"/>
													FU



Port	Function	ISO 11926-1
A-B	Services	3/4-16 UNF-2B
G	Auxiliary	7/16-20 UNF-2B
M1/M2	Gauge	-
S	Suction	3/4-16 UNF-2B
T/T1	Drain	3/4-16 UNF-2B

Low noise valve plate

		1	2	3	4	5	6	7	8	9	10	11	12
P	M	V	O	<input type="checkbox"/>	<input type="checkbox"/>	<input type="checkbox"/>	<input type="checkbox"/>	<input type="checkbox"/>	<input type="checkbox"/>	<input type="checkbox"/>	<input type="checkbox"/>	<input type="checkbox"/>	<input checked="" type="checkbox"/>
													DB

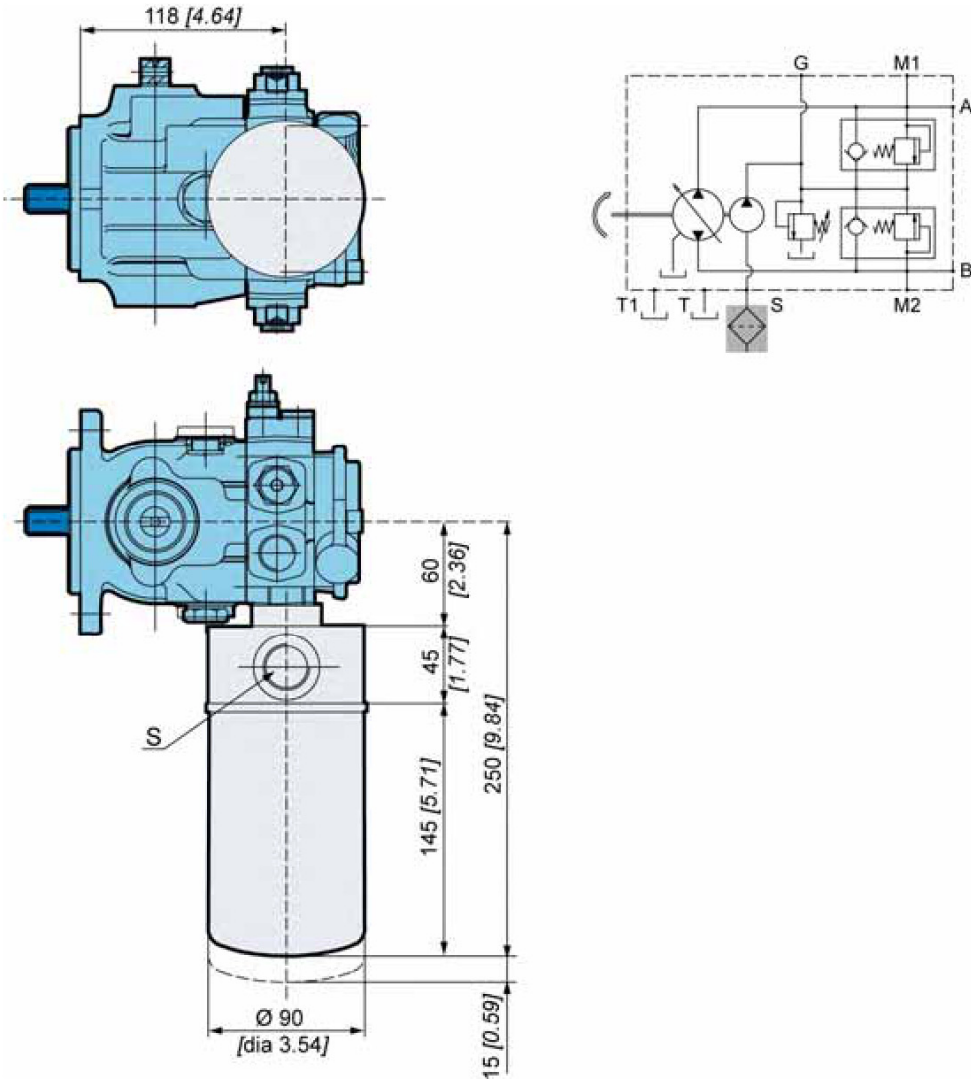
Special valve plate designed to reduce noise of the pump.

Filter on suction line

P	M	V	0	1	2	3	4	5	6	7	8	9	10	11	12
				<input type="checkbox"/>	<input type="checkbox"/>	<input type="checkbox"/>	<input type="checkbox"/>	<input type="checkbox"/>	<input type="checkbox"/>	<input type="checkbox"/>	<input type="checkbox"/>	<input type="checkbox"/>	<input type="checkbox"/>	<input type="checkbox"/>	<input checked="" type="checkbox"/> FA

The max. pressure drop on the filtration element must not exceed 0,4 bar absolute [5.8 PSI absolute] (0,8 bar absolute [11.6 PSI absolute] with cold starting).

The "S" suction port can be orientated of 360°.



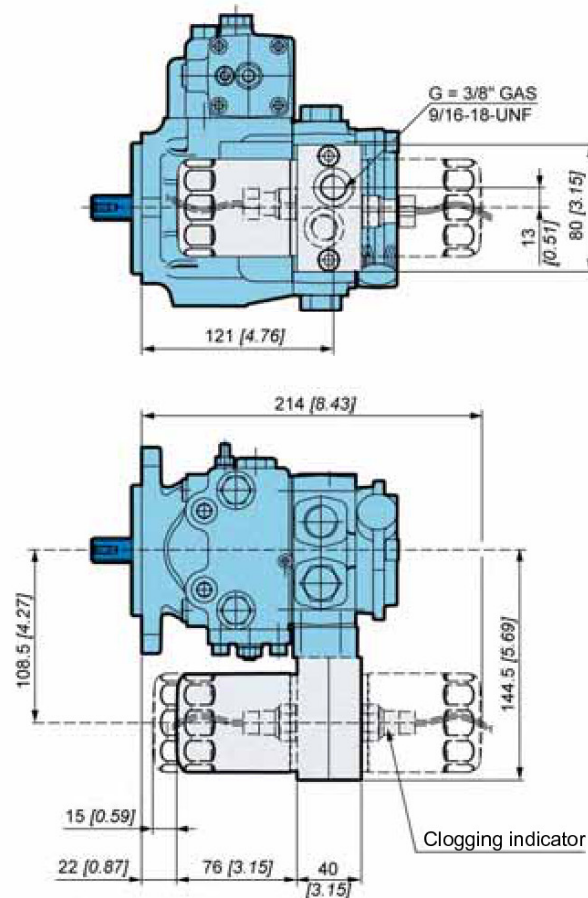
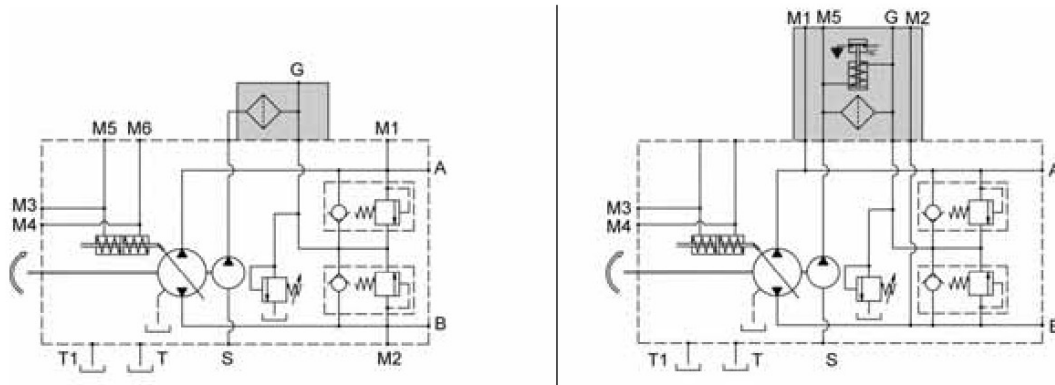
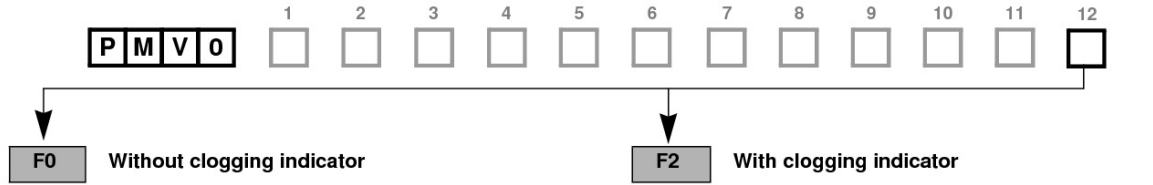
Filter on pressure line

The PMVO pumps can have a pressure filter without clogging indicator (F0) or with clogging indicator (F2). The flow thru the filter is only the flow that entry in the close loop. The filter fitness is of 10 micron.

Maximum pressure difference between filter cartridge input and output is 2 bar [29 PSI]. When reaching 2 bar [29 PSI], the cartridge has to be changed.

Max. working pressure: 10 bar [145 PSI].

Tightening torque: 35 Nm [309 in.lbf].



Swashplate on bushing

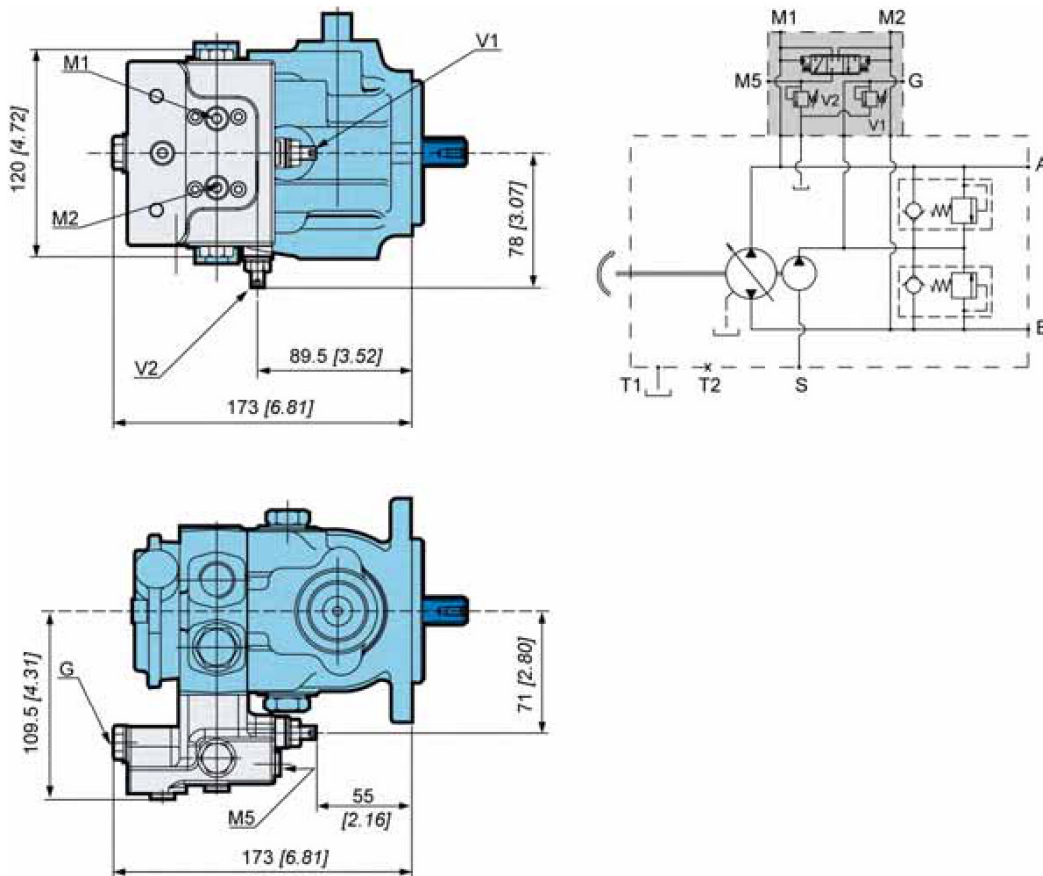
P	M	V	0	1	2	3	4	5	6	7	8	9	10	11	12
				<input type="checkbox"/>	<input type="checkbox"/>	<input type="checkbox"/>	<input type="checkbox"/>	<input type="checkbox"/>	<input type="checkbox"/>	<input type="checkbox"/>	<input type="checkbox"/>	<input type="checkbox"/>	<input type="checkbox"/>	<input type="checkbox"/>	<input checked="" type="checkbox"/> OB

Swashplate mounted on bushing instead of bearing for lower noise working pump.

Flushing valve

P	M	V	0	1	2	3	4	5	6	7	8	9	10	11	12
				<input type="checkbox"/>	<input type="checkbox"/>	<input type="checkbox"/>	<input type="checkbox"/>	<input type="checkbox"/>	<input type="checkbox"/>	<input type="checkbox"/>	<input type="checkbox"/>	<input type="checkbox"/>	<input type="checkbox"/>	<input type="checkbox"/>	<input checked="" type="checkbox"/> VS

Inside the pump cover, a flushing valve can be fitted with discharge inside the pump casing by means of a calibrated hole. The flushing valve is useful in case the temperature of the oil in the closed circuit is too high.



Pressure gauge ports on relief valve

P	M	V	O	1	2	3	4	5	6	7	8	9	10	11	12
<input type="checkbox"/>	<input type="checkbox"/>	<input type="checkbox"/>	<input type="checkbox"/>	<input type="checkbox"/>	<input type="checkbox"/>	<input type="checkbox"/>	<input type="checkbox"/>	<input type="checkbox"/>	<input type="checkbox"/>	<input type="checkbox"/>	<input type="checkbox"/>	<input type="checkbox"/>	<input type="checkbox"/>	<input type="checkbox"/>	<input checked="" type="checkbox"/>

Pressure port for pressure measurement.

Finishing coat

P	M	V	O	1	2	3	4	5	6	7	8	9	10	11	12
<input type="checkbox"/>	<input type="checkbox"/>	<input type="checkbox"/>	<input type="checkbox"/>	<input type="checkbox"/>	<input type="checkbox"/>	<input type="checkbox"/>	<input type="checkbox"/>	<input type="checkbox"/>	<input type="checkbox"/>	<input type="checkbox"/>	<input type="checkbox"/>	<input type="checkbox"/>	<input type="checkbox"/>	<input type="checkbox"/>	<input checked="" type="checkbox"/>

The pumps can be delivered with finishing coat when requested. Standard paint is RAL 9005 (black color).



Consult your Poclain Hydraulics application engineer for other colors of topcoat.