



PM45 PUMPS



PM45 – 40. HYDRAULIC PUMPS.

OVERVIEW

PM45 is a variable displacement, axial piston pump, with swashplate system, for closed loop hydrostatic transmissions.

It provides a continuously variable flow rate between zero and maximum in forward and reverse direction. Flow rate is proportional to rotation speed and swashplate angle.

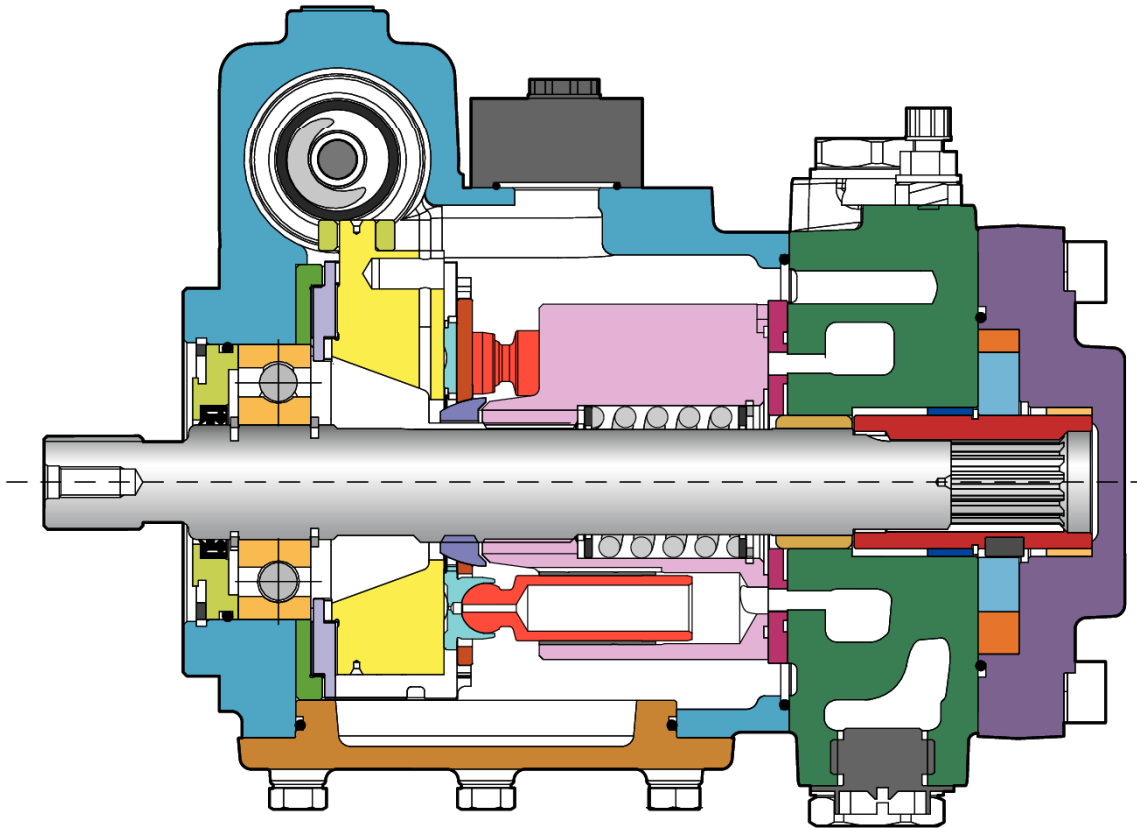
It can feature a charge pump to keep the circuit pressurised. This avoids risk of cavitations and ensures a good performance of the transmission.

It offers several types of servo control: servo mechanical, servo hydraulic, hydraulic automotive, electrical and electro-proportional.

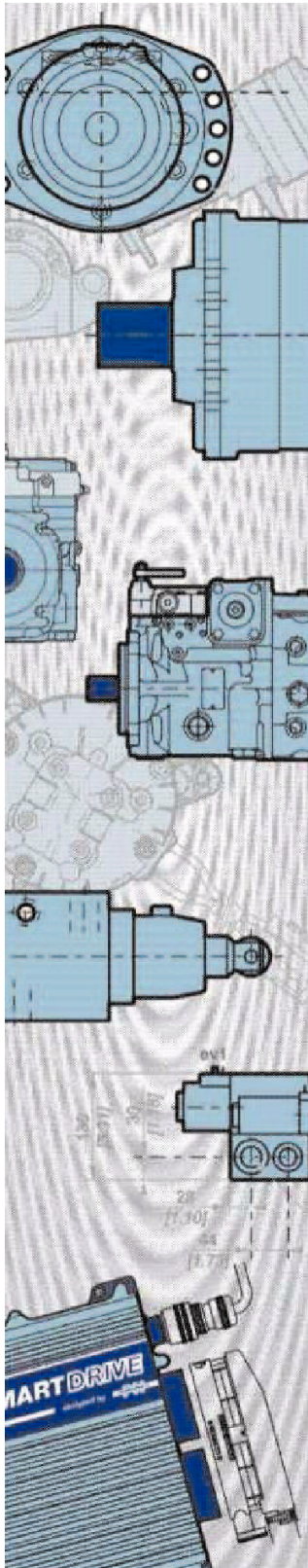
It is equipped with high pressure relief valves and can be delivered with auxiliary gear pumps.

It is available in single or tandem versions.

As options, PM45 can be featured with flushing valve, filter on charge pressure line and safety devices to ensure safe operation of the machine.



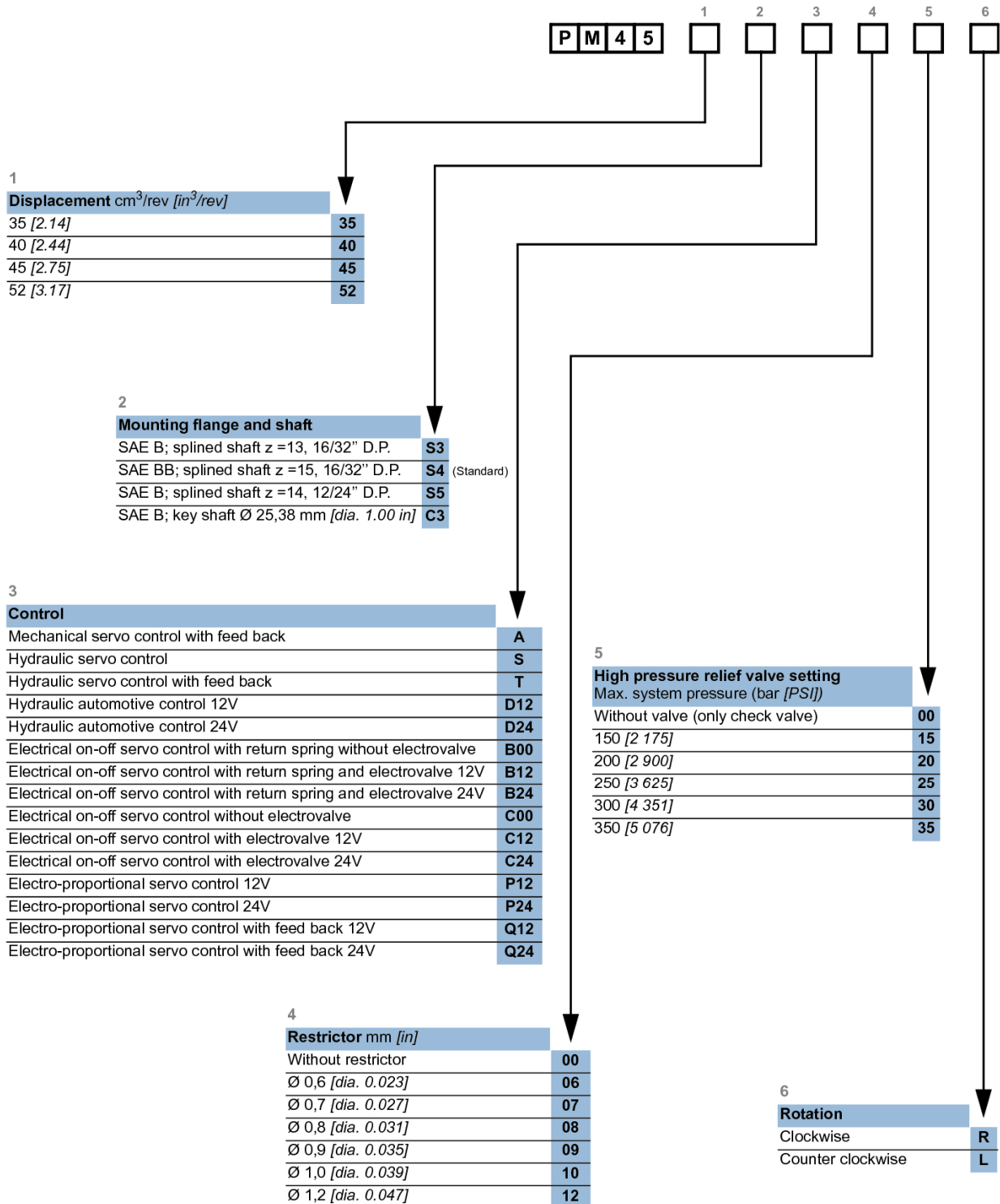
		PM45-35	PM45-40	PM45-45	PM45-52
Displacement	cm ³ /rev [in ³ /rev.]	35 [2.14]	40 [2.44]	45 [2.75]	52 [3.17]
Theoretical Flow at rated speed	L/min [GPM]	126 [33.28]	144 [38.04]	162 [42.79]	187,2 [49.45]
Rated speed	rpm	3 600			
Rated pressure	bar [PSI]	250 [3 625]			
Max. Pressure	bar [PSI]	350 [5 076]			
Mounting flange		SAE B, SAE BB			
Controls		Servo mechanical, servo hydraulic, hydraulic automotive, electrical, electro-proportional			
Mass	kg [lb]	28 [61.7] with servo control A			
Rotation		Clockwise or Counterclockwise			

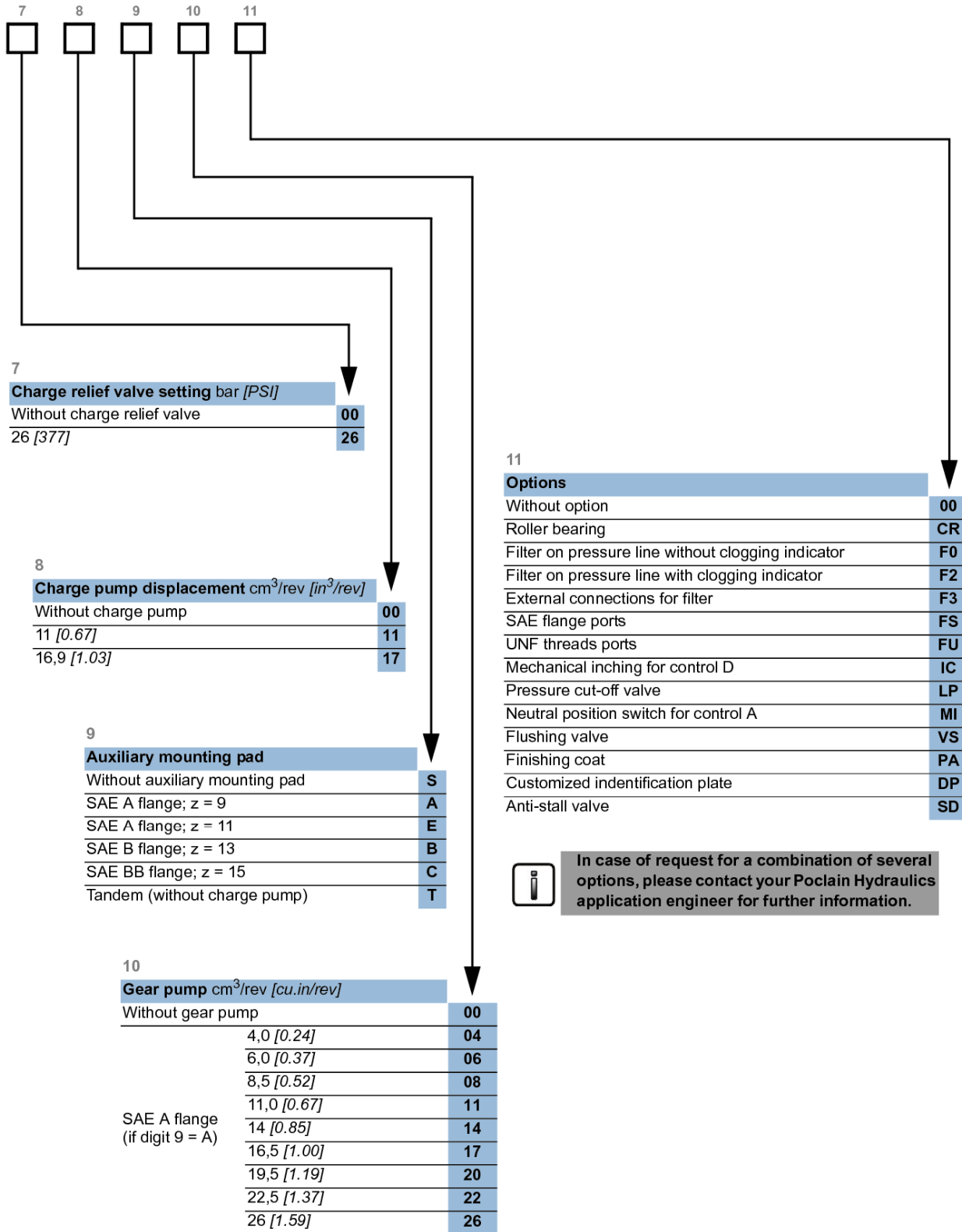


CONTENT

MODEL CODE	4	Model Code
TECHNICAL SPECIFICATIONS	6	
Features	6	Technical specifications
Performances	6	
Main dimensions	7	
Port characteristics	8	
OPERATING PARAMETERS	9	Operating Parameters
Operating parameters	9	
Charge pressure	9	
Case pressure	9	
Pressure ratings	9	
Speed ratings	9	
Inlet pressure	10	
Theoretical output	10	
Poclair Hydraulics recommendations for fluid	10	
Fluid and filtration	11	
Viscosity range	11	System design Parameters
SYSTEM DESIGN PARAMETERS	12	
Sizing equations	12	
Redundant braking system requirement	12	
Loop flushing	12	
Reservoir	13	
Case drain usage for tandem pump	13	
Differential pressure	13	
Bearing life and external shaft loading	14	
Hydraulic unit life	15	
Mounting flange loads	15	Features
FEATURES	16	
High pressure relief valve	16	
Charge relief valve	17	
Charge pump	18	
Displacement limiters	19	
By-pass	19	
Mounting flange and shafts	20	
Auxiliary mounting pad	22	
Tandem pumps	24	
Gear pumps	25	Controls
CONTROLS	26	
Mechanical servo control with feed back	26	
Hydraulic servo control	28	
Electrical on-off servo control	30	
Electro-proportional servo control	32	
Hydraulic automotive control	34	
Electro-proportional servo control with feed back	36	
Hydraulic servo control with feed back	38	Options
OPTIONS	41	
SAE flange ports	41	
UNF threads ports	41	
Mechanical inching	41	
Filter on pressure line	42	
External connections for filter	43	
Pressure cut-off valve	43	
Neutral position switch	44	
Flushing valve	45	
Finishing coat	45	
Anti-stall valve	46	
Customized identification plate	46	

MODEL CODE





TECHNICAL SPECIFICATIONS

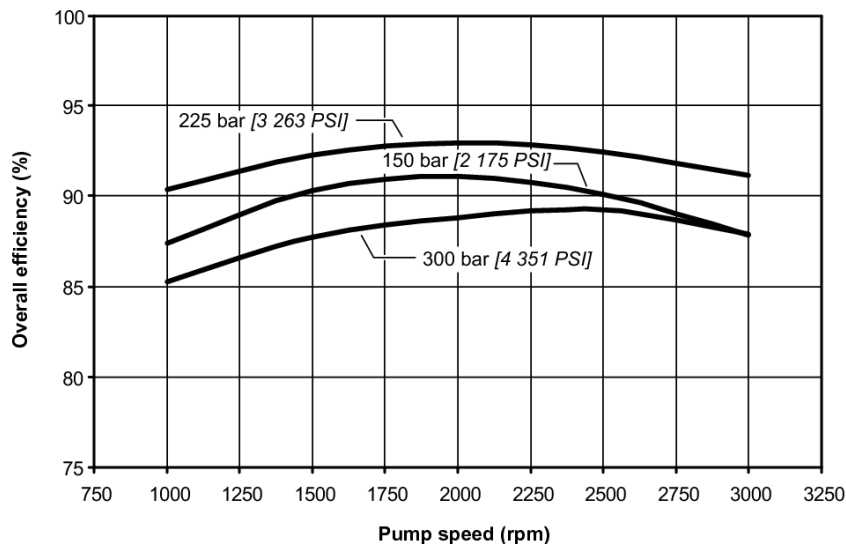
Features

		PM45-35	PM45-40	PM45-45	PM45-52
Displacement	cm ³ /rev [<i>in³/rev.</i>]	35 [2.14]	40 [2.44]	45 [2.75]	52 [3.17]
Theoretical flow at rated speed (3600 rpm)	L/min [<i>GPM</i>]	126 [33.28]	144 [38.04]	162 [42.79]	187,2 [49.45]
Max. Theoretical absorbed power at 320 bar [4 641 PSI]	KW	67,2	76,8	86,4	99,8
Theoretical absorbed torque at 100 bar [1 450 PSI]	N.m [<i>in.lbf</i>]	55,7 [493]	63,7 [564]	71,7 [635]	82,8 [733]
Moment of inertia	kg.m ² [<i>slug.ft²</i>]	0.0054 [0.0038]			
Internal charge pump	cm ³ /rev [<i>in³/rev.</i>]	11 [0.67] or 16,9 [1.03]			
Charge relief valve setting	bar [<i>PSI</i>]	From 15 [217.5] to 30 [435]			
High pressure relief setting	bar [<i>PSI</i>]	Max. 350 [5 076]			
Type of mounting		SAE B, SAE BB or key shaft			
Mass	kg [<i>lb</i>]	28 [61.7] with servo control A			

Performances

Overall efficiency curves

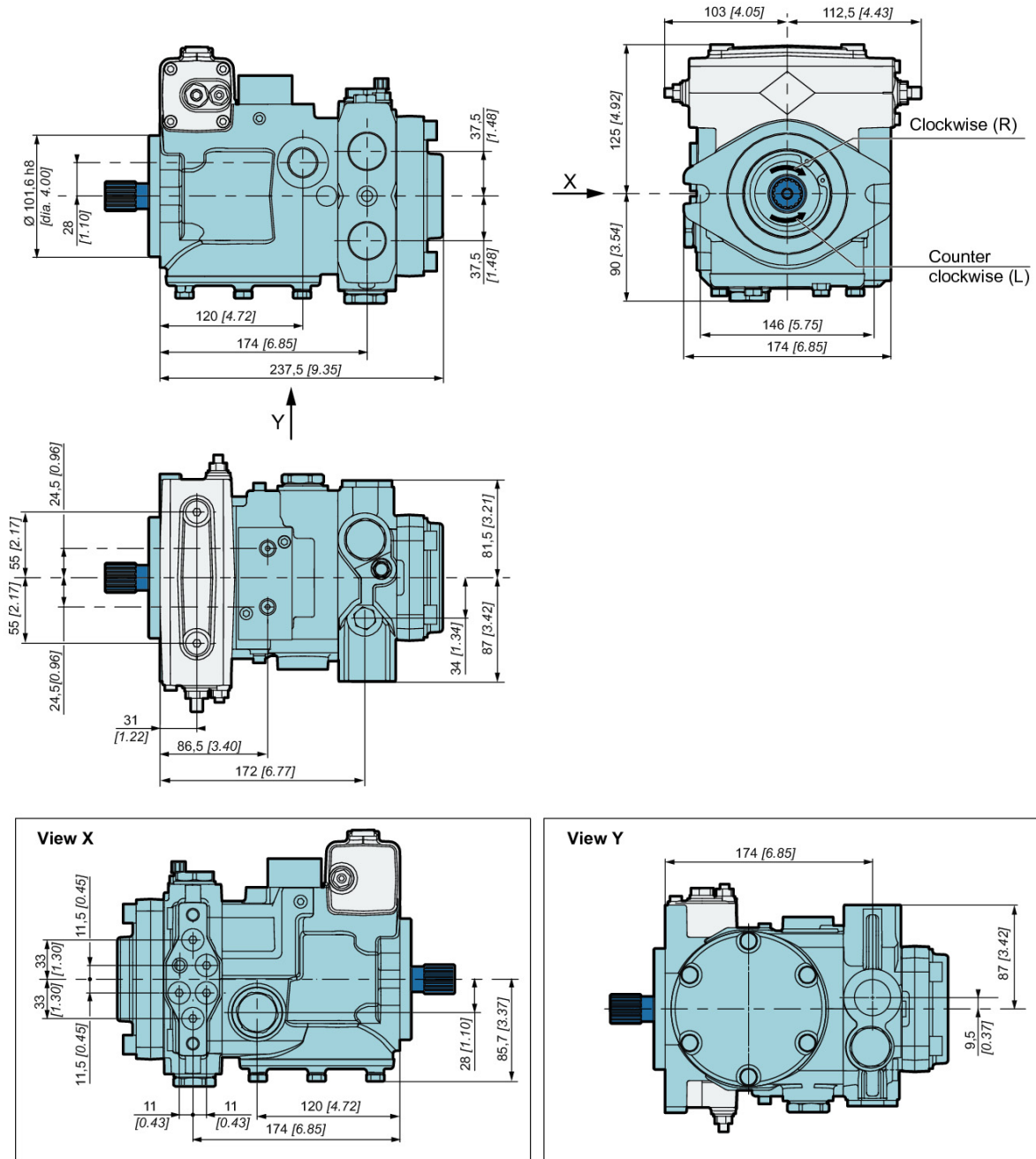
Oil ISO VG46, temperature = 50°C [122°F]. Pump displacement = 45 cm³/rev [2.75 in³/rev.]



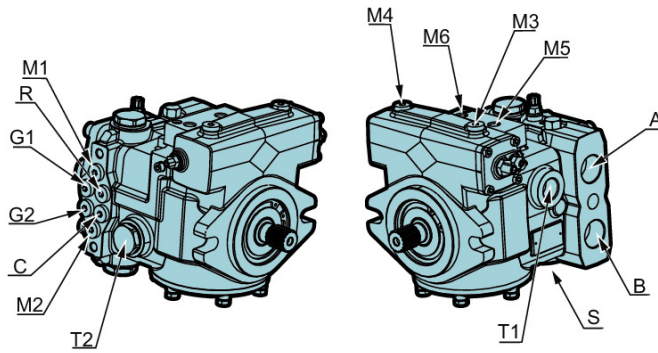
Main dimensions

PM45 - SAE BB - splined shaft with hydraulic servo control and without auxiliary mounting pad

		1	2	3	4	5	6	7	8	9	10	11		
P	M	4	5	<input type="checkbox"/>	<input checked="" type="checkbox"/>	<input checked="" type="checkbox"/>	<input type="checkbox"/>	<input type="checkbox"/>	<input type="checkbox"/>	<input type="checkbox"/>	<input type="checkbox"/>	<input checked="" type="checkbox"/>	<input type="checkbox"/>	<input type="checkbox"/>



Port characteristics



Port	Function	ISO 1179-1 (standard)
A/B	Services	1" GAS
C	Case pressure	1/4" GAS
G1/G2	Auxiliary/Charge pressure	1/4" GAS
M1/M2	A/B pressure	1/4" GAS
M3/M4	Servo control	1/4" GAS
M5/M6	Pilot pressure	1/4" GAS
R	Servo pilot pressure	1/4" GAS
S	Suction	1" GAS
T1/T2	Drain	3/4" GAS

See options FS and FU page 41 for SAE and UNF port sizes.

OPERATING PARAMETERS

Operating parameters

		PM45-35	PM45-40	PM45-45	PM45-52
Speed ratings	Minimum			700	
	Max. without load	min ⁻¹ (rpm)		3 600	
	Max. with load			3 400	
System pressure	Rated			250 [3 625]	
	Maximum	bar [PSI]		350 [5 076]	
	Minimum low loop			15 [218]	
Inlet pressure	Mini continuous	bar (abs.) [in. Hg vac.]		0,8 [11.6]	
	Mini (cold start)			0,5 [7.2]	
Case pressure	Continuous	bar [PSI]		1,5 [21.7]	
	Maximum (cold start)			2,5 [36.2]	
Charge pressure	Standard version	bar [PSI]		26 [377]	
	Max. charge pressure			30 [435]	

Charge pressure

A charge flow is required to maintain a positive pressure in the low pressure loop of a closed loop hydrostatic transmission. Charge pressure ensures proper lubrication and rotating group operation. It is recommended to maintain the charge pressure at a minimum of 15 bar [218 PSI] above case pressure. For more details, refer to charge pump paragraph, page 18.

Case pressure

Case pressure must be maintained within the limits shown in the table "Operating parameters". Ensure housing is always filled with hydraulic fluid and especially during start-up of the machine.

Pressure ratings

Maximum peak pressure

It is the maximum allowable pressure. It is equivalent to the maximum setting of the maximum high pressure relief valve. A self-propelled machine can reach the maximum peak pressure value no more than 1-2% of that work cycle.

Work cycle

A fundamental factor for ensuring correct hydrostatic transmission sizing is the machine work cycle (pressure-time ratio, seasonality, pressure vs. percentage of time at max. displacement, machine type). Part service life depends on the correct choice in relation to the work cycle.

Overloads

It is mandatory to protect parts against any possible overloads.

Speed ratings

The table "Operating parameters" gives minimum and maximum rated speeds. Note that all displacements might operate under different speed limits. Definitions of these speed limits appear below.

Maximum speed is the highest operating speed allowed. Over speeding reduces pump life time, can lead to loss of hydrostatic power and braking capacity. Never exceed the maximum speed limit under any operating conditions.

Nominal speed is the speed offering the maximal efficiency.

Inlet pressure

Charge pump inlet pressure is key for acceptable pump life and performances. A continuous inlet pressure of not less than 0,8 bar abs. [11.6 PSI abs.] is recommended. A continuous inlet pressure less than 0.5 bar abs. [7.2 PSI abs.] indicates inadequate inlet design or a restricted filter. Pressures less than 0.5 bar abs. [7.2 PSI abs.] can happen at cold start, but should increase with oil temperature.

Theoretical output

Theoretical output flow is a function of pump displacement and speed. It is relevant to size the rest of the circuit. Theoretical flow does not take into account losses due to leakage or variations in displacement. Refer to performances, page 6, for volumetric and overall efficiencies at various operating speeds and pressures.

Poclair Hydraulics recommendations for fluid



Poclair hydraulics recommends the use of hydraulic fluids defined by the ISO 12380 and ISO 6743-4 standards. For temperate climates, the following types are recommended.

- HM 46 or HM 68 for fixed installations.
- HV 46 or HV 68 for mobile installations.
- HEES 46 for mobile installations.

These specifications correspond to category 91H of the CETOP standard, parts 1, 2 and 3 of the DIN 51524 standard, and grades VG32, VG 46 and VG68 of the ISO 6743-4 standards.



It is also possible to use ATF, HD, HFB, HFC or HFD type hydraulic fluid upon Poclair Hydraulics specific approval of the components' operating conditions.

Standardized designations for the fluids

- **HM** : Mineral fluids having specific antioxidant, anticorrosion and antiwear properties (HLP equivalent to DIN 51524 parts 1 and 2).
- **HV** : HM mineral fluids providing improved temperature and viscosity properties (DIN 51524 part 3).
- **HEES** : Biodegradable fluids based on organic esters.



It is also possible to use a fluid that meets the biodegradability criteria and is compatible in the event of accidental food contact. The BIOHYDRAN FG 46 fluid designed by the company Total has undergone testing of its properties and performance on our test benches. Since this type of fluid has not yet been categorized, it is the responsibility of machine manufacturers to validate its compatibility with all of the components used in order to guarantee that the intended functions will be fulfilled and this for the desired life time of all equipment items.



For biodegradable fluids, consult your Poclair Hydraulics' application engineer



During operation, the temperature of the oil must be between 0°C [32°F] and 80°C [176°F]; the minimum and maximum temperatures may be exceeded momentarily by ± 20°C [± 68°F] for a duration of less than 30 minutes. For all applications outside these limits, please consult with your Poclair Hydraulics' application engineer.

Fluid and filtration

The contaminating particles suspended in the hydraulic fluid cause the hydraulic mechanisms moving part wear. On hydraulic pumps, these parts operate with very small dimensional tolerances. In order to reach the part life, it is recommended to use a filter that maintains the hydraulic fluid contamination class at a max. of:

- 9 according to NAS 1638
- 20/18/15 according to ISO 4406:1999

According to the type of application decided for the pump, it is necessary to use filtration elements with a filtration ratio of:

$$\beta_{20 \text{ to } 30} \geq 100$$

Making sure that this ratio does not worsen together with the increasing of the filter cartridge differential pressure.

If these values cannot be observed, the component life will consequently be reduced and it is recommended to contact the Poclair Hydraulics Customer Service.

Filters on charge circuit

Filters on the charge circuit (F0-F2) are designed without by-pass. The max. pressure drop on the filtration part must not exceed 2 bar [29 PSI] (3 bar [43.5 PSI] in case of cold starting) at pump full rating. To monitor the pressure drop, it is recommended to use the clogging indicator on the filtration element (F2 option). Contact your Poclair Hydraulics Application engineer, each time the pump is not charged by its internal charge pump.

Filters on charge circuit are mounted on the pump special support.

Filters assembling

The suction filter is mounted on the suction line. Check that the pressure before the charge pump is 0.8 bar abs. [11.6 PSI abs.], measured on the pump suction port (0.5 bar [7.2 PSI] for cold starting).

Viscosity range

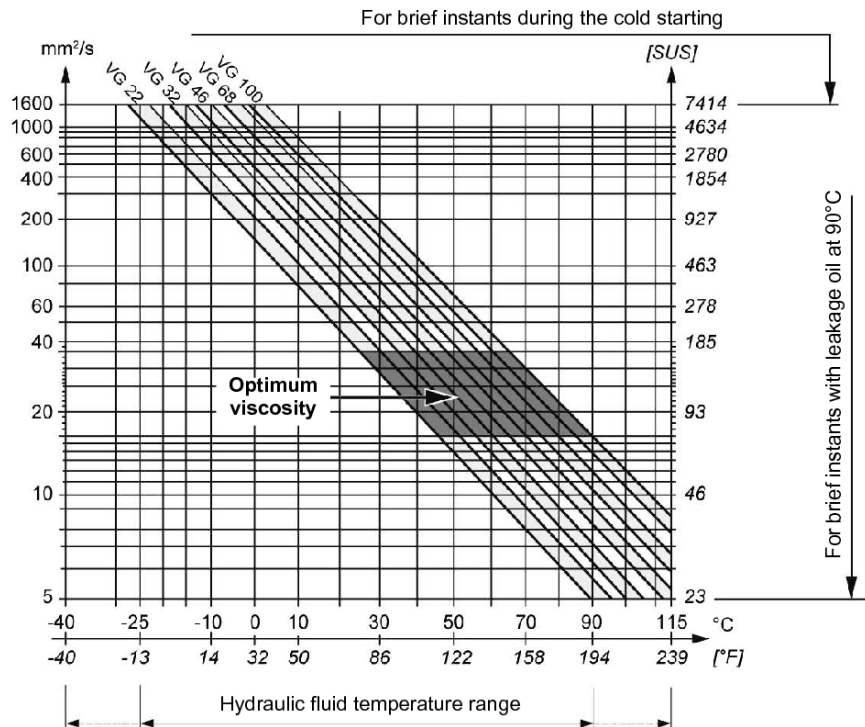
For both max. efficiency and life of the unit, the operative viscosity should be chosen within the optimum range of:

$\sqrt{\text{opt}}$ = optimum operating viscosity from 16 to 36 mm²/s [from 74.1 to 166.8 SUS] referred to the closed loop temperature.

Working conditions: the following limits of viscosity apply

$\sqrt{\text{min}}$ = 5 mm²/s [23 SUS] short-duration at a max. permissible leakage oil temperature of 90° C [194°F]

$\sqrt{\text{max}}$ = 1000 mm²/s [4 634 SUS] short-duration, on cold start.



Ensure fluid temperature and viscosity limits are concurrently satisfied.

SYSTEM DESIGN PARAMETERS



Consult your Poclairn Hydraulics application engineer to validate your design parameters before using the pump in your application.

Sizing equations

The following equations are helpful when sizing hydraulic pumps. Generally, the sizing process is initiated by an evaluation of the machine system to determine the required motor speed and torque to perform the necessary work function. First, the motor is sized to transmit the maximum required torque. The pump is then selected as a flow source to achieve the maximum motor speed.

	Output flow Q	$= \frac{V_g \cdot n \cdot \eta_v}{1000}$	(l/min)	
SI units	Input torque M	$= \frac{V_g \cdot \Delta p}{20 \cdot \pi \cdot \eta_m}$	(N.m)	
	Input power P	$= \frac{M \cdot n \cdot \pi}{30\,000} = \frac{Q \cdot \Delta p}{600 \cdot \eta_t}$	(kW)	
	Output flow Q	$= \frac{V_g \cdot n \cdot \eta_v}{231}$	[GPM]	
US units	Input torque M	$= \frac{V_g \cdot \Delta p}{2 \cdot \pi \cdot \eta_m}$	[lbf.in]	
	Input power P	$= \frac{M \cdot n \cdot \pi}{198\,000} = \frac{Q \cdot \Delta p}{1714 \cdot \eta_t}$	[hp]	

V_g = Displacement per revolution cm^3/tr [in^3/rev]
 Δp = $p_o - p_i$ (system pressure) bar [PSI]
 n = Speed min^{-1} [rpm]
 η_v = Volumetric efficiency
 η_m = Mechanical efficiency
 η_t = Overall efficiency ($\eta_v \cdot \eta_m$)

Redundant braking system requirement

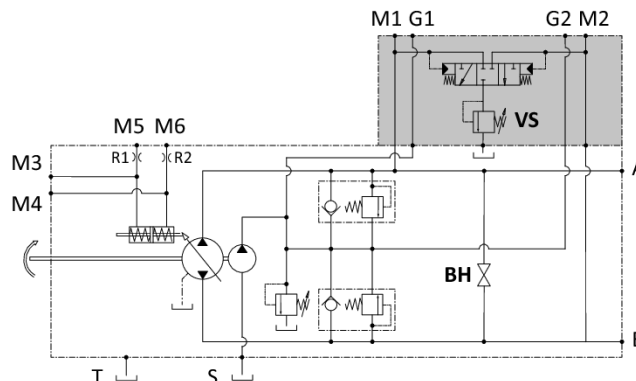


Unintended vehicle or machine movement hazard.
 The loss of hydrostatic drive line power, in any mode of operation (forward, neutral, or reverse) may cause the system to lose hydrostatic braking capacity. You must provide a braking system, redundant to the hydrostatic transmission, sufficient to stop and hold the vehicle or machine in the event of hydrostatic drive power loss.

Loop flushing

Closed circuit may require a flushing valve to meet temperature and cleanliness requirements. A flushing valve takes a part of hot fluid flow from the low pressure loop of the system loop for cooling and filtering. Make sure that the charge pump provides adequate flow for the flushing valve flushing and the flushing valve does not cause charge pressure to drop below recommended limits.

See option VS page 45 for more information.



Reservoir

The reservoir provides clean fluid, dissipates heat, and removes entrained air from the hydraulic fluid. It allows for fluid volume changes associated with fluid expansion and cylinder differential volumes. Minimum reservoir capacity depends on the volume needed to perform these functions. Typically, a capacity of one half the charge pump flow (per minute) is satisfactory for a closed reservoir. Open circuit systems sharing a common reservoir require greater fluid capacity.

Locate the reservoir outlet (suction line) near the bottom, allowing clearance for settling foreign particles. Use a 100 - 125 µm screen covering the outlet port.

Place the reservoir inlet (return lines) below the lowest expected fluid level, as far away from the outlet as possible.

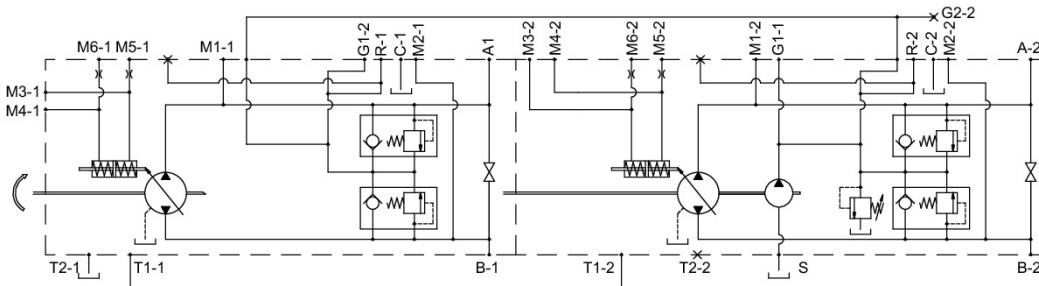
Use a baffle (or baffles) between the reservoir inlet and outlet ports to promote de-aeration and reduce fluid surging.

Case drain usage for tandem pump

To ensure lubrication of both pumps (with only one charge pump), excess flow from the second pump charge relief valve must be routed into the housing of the first pump.

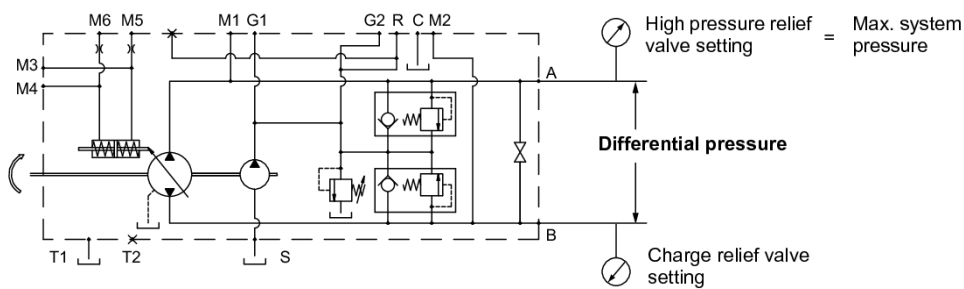


Tandem pumps with the option of opposing port endcaps do not follow the above rule.



Differential pressure

The differential pressure is the High pressure relief valve setting minus Charge relief valve setting.



Bearing life and external shaft loading

Bearing life:

Bearing life is a function of speed, pressure, swashplate angle and external loads. Oil type and viscosity impact bearing life.

	Ball bearing life (B ₁₀ hours)
PM45-35	10 700
PM45-45	5 100
PM45-52	3 300

Shaft Loads

Normal bearing life in B₁₀ hours is shown in the above table. Figures have been calculated under the following operating conditions : A continuous differential pressure of 130 bar [1 885 PSI], 1 800 rpm shaft speed, maximum displacement, without any external shaft side load. The data is based on a 50% forward, 50% reverse duty cycle, standard charge pump size, and standard charge pressure.

PM45 pumps are designed with bearings that can accept external radial and thrust loads. The external radial shaft load limits depend on the load position, orientation, and operating conditions of the unit.

The maximum permissible radial load (Re), is based on the maximum external moment (Me), and the distance (L) from the mounting flange to the load. It may be determined using the table and formula below. Thrust (axial) load limits are also shown.

$$Re = Me / L$$

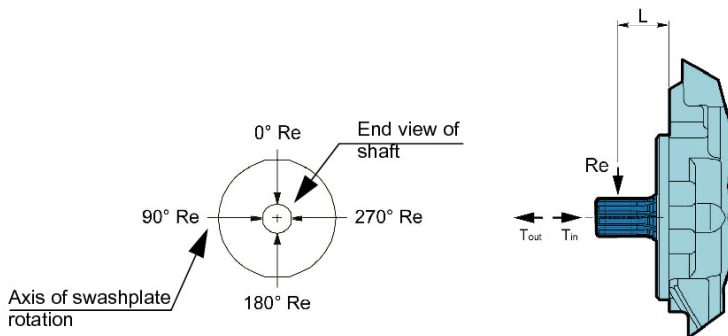
All external shaft loads affect bearing life. In applications with external shaft loads, minimize the impact by positioning the load at 90° or 270° as shown in the figure.

Contact your Poclairn Hydraulics representative for an evaluation of unit bearing life if:

- Continuously applied external loads exceed 25 % of the maximum allowable radial load Re.
- The pump swashplate is positioned on one side of center all or most of the time.
- The unit bearing life (B₁₀) is critical.

	External moment (Me) N.m [in.lbf] (Based on shaft deflection)	Maximum shaft thrust N [lbf] (at ΔP 180 bar [2 611 PSI] and 3 400 rpm)
PM45-35	150 [1 328]	1 500 [337]
PM45-45	107 [947]	1 500 [337]
PM45-52	76 [673]	1 500 [337]

Radial and thrust load position



For an accurate calculation, consult your Poclairn Hydraulics application engineer.

Hydraulic unit life

Hydraulic unit life is the life expectancy of the hydraulic components. It depends on speed and system pressure even if , system pressure is the dominant operating variable. High pressure, generated by high load, reduces hydraulic unit life.

Design the hydraulic system according to the expected machine duty cycle. Take in consideration the expected percentages of time at various loads and speeds. Ask your Poclain Hydraulics representative to calculate an appropriate pressure based your hydraulic system design. If duty cycle data is not available, input power and pump displacement are used to calculate system pressure.

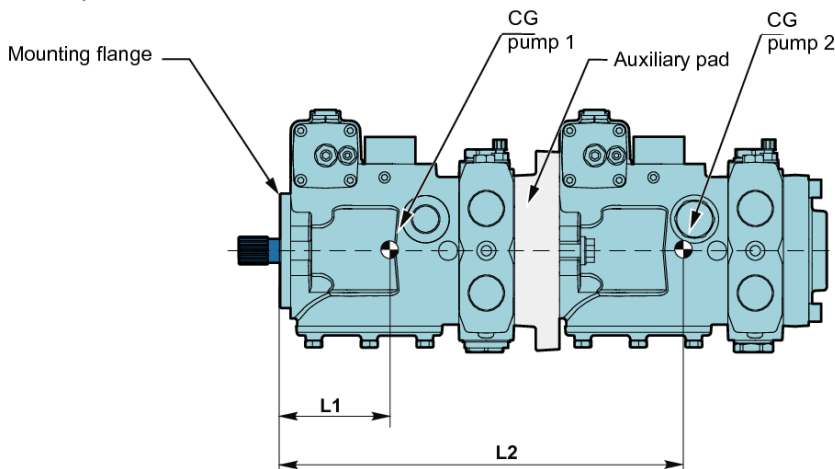
All pressure limits are differential pressures (referenced to charge pressure) , taking a normal charge pressure in consideration.

PM45 pumps will meet satisfactory life expectancy if applied within the parameters specified in this technical documentation. For more detailed information on hydraulic unit life see Operating Parameters in page 9.

Mounting flange loads

Adding tandem mounted pumps, and/or tandem auxiliary pump(s), subjecting pumps to shock loads may generate excessive loads on the front mounting flange. The overhung load moment for multiple pump mounting can be estimated as shown in the figure below

Overhung load example



Estimating overhung load moments

- W = Weight of pump (kg)
- L = Distance from mounting flange to pump center of gravity (CG)
- $M_R = G_R (W_1L_1 + W_2L_2 + \dots + W_nL_n)$
- $M_S = G_S (W_1L_1 + W_2L_2 + \dots + W_nL_n)$

Where:

- M_R = Rated load moment (N.m)
- M_S = Shock load moment (N.m)
- G_R^* = Rated (vibratory) acceleration (G's) (m/sec²)
- G_S^* = Maximum shock acceleration (G's) (m/sec²)

*Calculations will be carried out by multiplying the gravity (g = 9.81 m/sec²) with a given factor. This factor depends on the application.

Allowable overhung load moment are shown in the above table. Exceeding these values requires additional pump support.

	Rated moment (MR)	Shock load moment (MS)
	N.m [in.lbf]	N.m [in.lbf]
PM45-35	900 [7 966]	2 000 [17 701]
PM45-45	900 [7 966]	2 000 [17 701]
PM45-52	900 [7 966]	2 000 [17 701]



For an accurate calculation, consult your Poclain Hydraulics application engineer.

FEATURES

High pressure relief valve

The High pressure relief valves maintain circuit pressure in the proper range. The check valves allow charge flow to replenish the low pressure loop of the circuit. The high pressure relief valves ensure a high pressure protection of the high pressure loop of the circuit.

High pressure relief valves are available in a large range of settings. They are not adjustable.

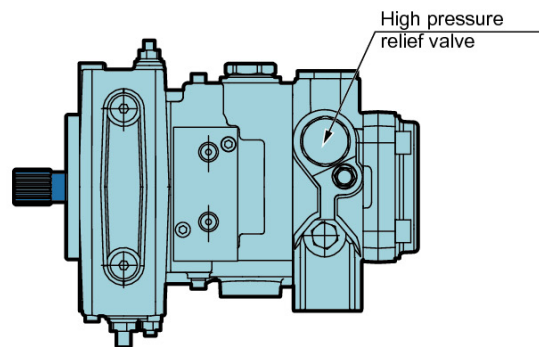
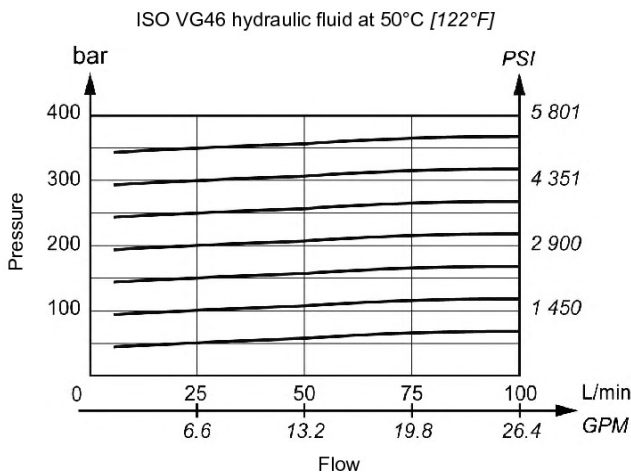
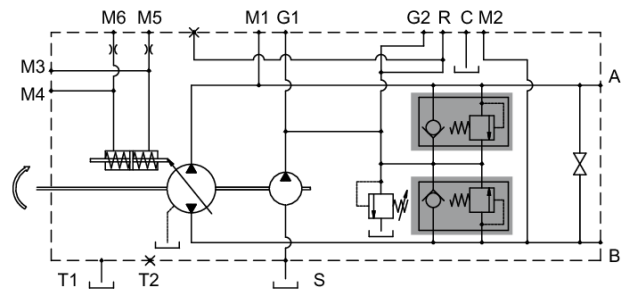
When high pressure relief valves are not desired, pumps may be equipped with charge circuit check valves only.



High pressure relief valves are intended for transient overpressure protection and are not intended for continuous pressure control. Flow over relief valves for extended periods of time may result in severe heat build up. High flows over relief valves may result in pressure levels exceeding the nominal valve setting and potential damage to system components.



High pressure relief valve	Available setting bar [PSI]	
Without	-	00
	150 [2 175]	15
	200 [2 900]	20
With	250 [3 625]	25
	300 [4 351]	30
	350 [5 076]	35



Charge relief valve

The charge pressure relief valve provides a relief outlet for charge circuit. This valve is used to set the charge pressure of the circuit. Flow through the valve is ported to case.

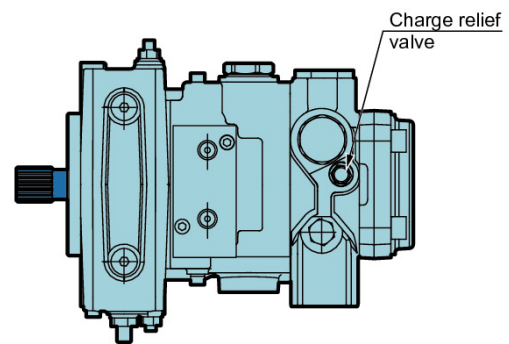
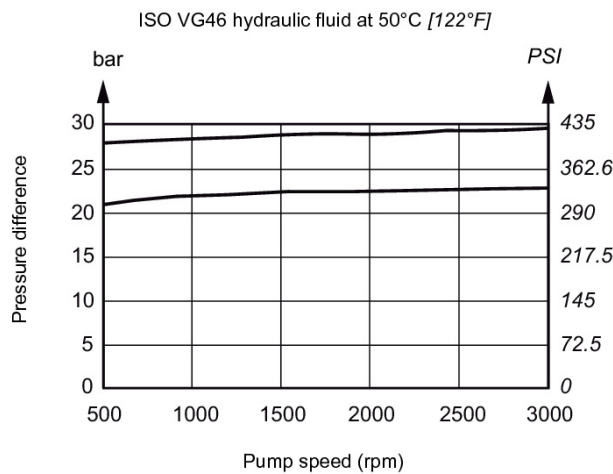
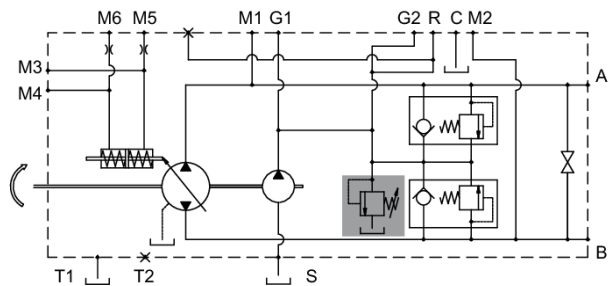
The nominal charge relief setting is referenced to case pressure.



Incorrect charge pressure settings may result in the inability to build required system pressure and/or inadequate loop flushing flows. Ensure correct charge pressure under all conditions of operation to maintain pump control performance.



Charge relief valve	Available setting bar [PSI]	
Without	-	00
With (standard)	26 [377]	26

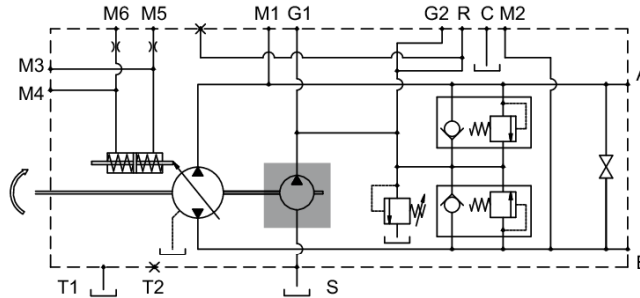


Charge pump

Charge flow is required on all PM45 pumps used in closed circuit installations. The charge pump provides flow to make up internal leakage, maintain a positive pressure in the main circuit, provide flow for cooling and filtration, replace any leakage losses from external valving or auxiliary systems, and to provide flow and pressure for the control system.

Many factors influence the charge flow requirements. These factors include system pressure, pump speed, pump swashplate angle, type of fluid, temperature, size of heat exchanger, length and size of hydraulic lines, control response characteristics, auxiliary flow requirements, hydrostatic motor type, etc.

Unusual application conditions may require a more detailed review of charge pump sizing. Charge pressure must be maintained at a specified level under all operating conditions to prevent damage to the transmission. Poclairn Hydraulics recommends testing under actual operating conditions to verify this.



Charge pump sizing / selection

In most applications a general guideline is that the charge pump displacement should be at least 20% of the main pump displacement.



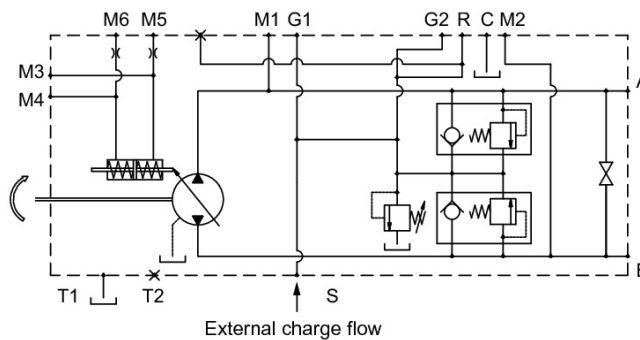
Charge pump	Displacement cm ³ /rev [in ³ /rev]	Rated speed (rpm)	
Without	-	-	00
With	11 [0.67]	3600	11
	16,9 [1.03]	3600	17



Contact your Poclairn Hydraulics application engineer for more information.

Without charge pump

The external charge flow must be the same that the internal charge pump flow



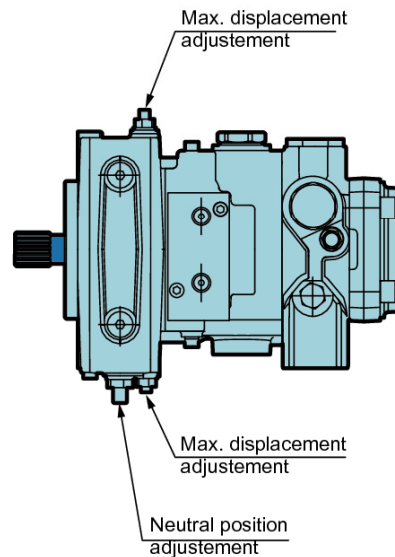
Displacement limiters

PM45 are designed with mechanical displacement (stroke) limiters. You can limit maximum displacement of the pump to a certain per-cent of its maximum displacement to near zero in both direction.

The displacement limiters are located on the both sides of the servo piston and are adjustable by screw.

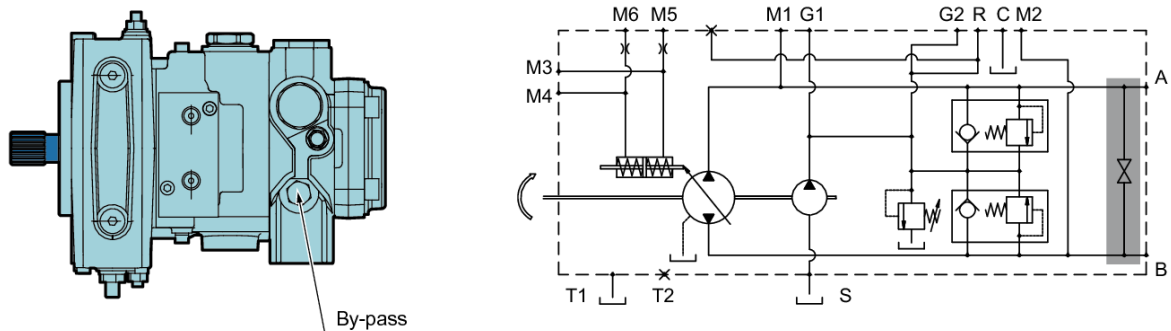


Take care in adjusting displacement limiters to avoid an undesirable condition of output flow or speed. Retorque the sealing lock nut after every adjustment to prevent an unexpected change in output conditions and to prevent external leakage during pump operation.



By-pass

PM45 features a by-pass function. By-passing Port A and Port B is achieved by unscrewing a screw located on the cover. The by-pass connect the ports A-B and must be use only in emergency case and only for short movement.



To avoid leakage, do NOT exceed two turns of the screw.



By-pass valve is intended for moving a machine for very short distances at very slow speeds. It is NOT intended as tow valve.

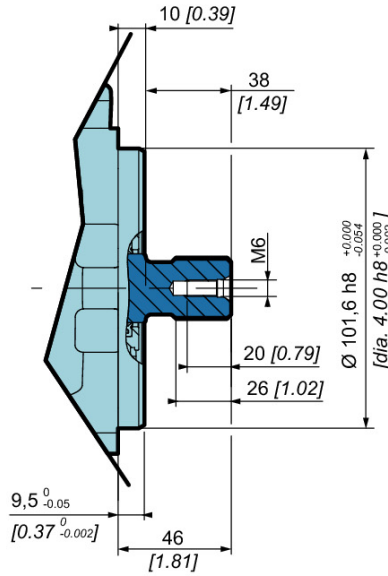
Mounting flange and shafts

SAE B - Splined shaft



13 teeth

Max. torque: 220 Nm [1947 in.lbf]



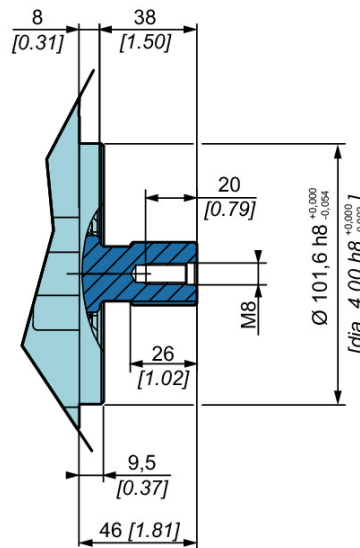
Splined ANSI B92.1A
Pitch 16/32" DP
Pressure angle 30°
Tolerance class: 5

SAE BB - Splined shaft (standard)



15 teeth

Max. torque: 360 Nm [3186 in.lbf]



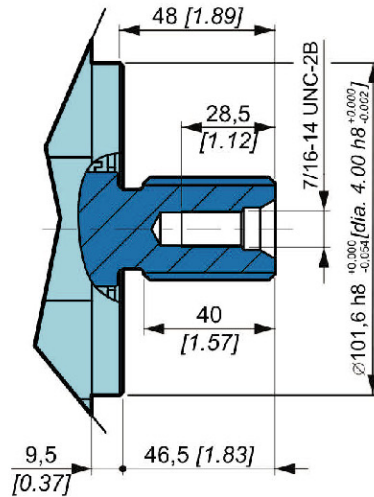
Splined ANSI B92.1A
Pitch 16/32" DP
Pressure angle 30°
Tolerance class: 5

SAE B - Splined shaft



14 teeth

Max. torque: 600 Nm [5310 in.lbf]



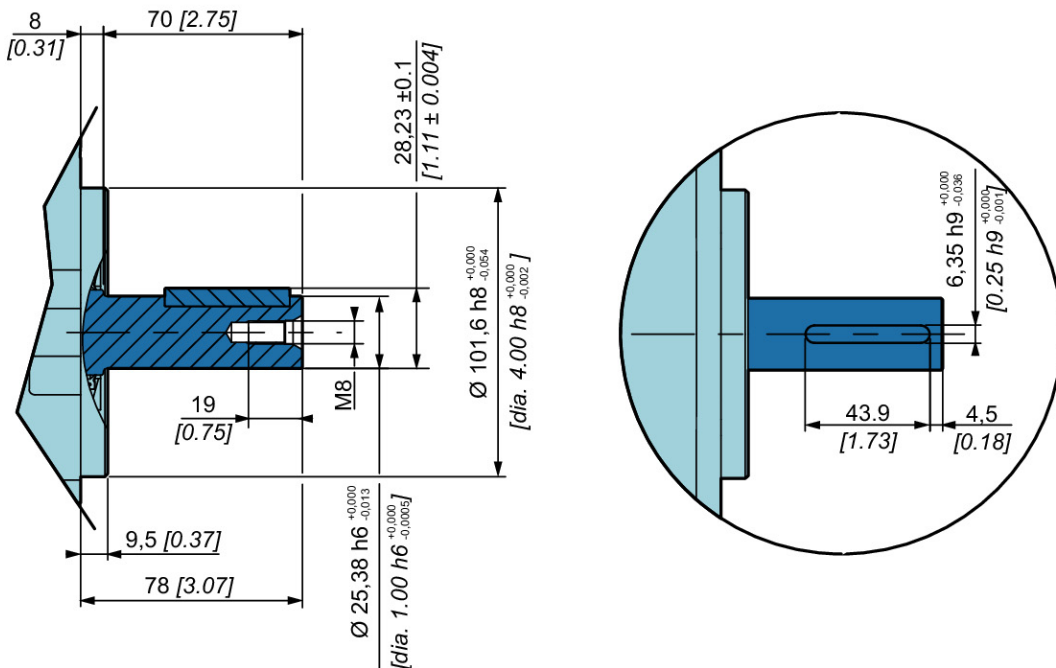
Splined ANSI B92.1A
Pitch 12/24" DP
Pressure angle 30°
Tolerance class: 5

SAE B - Key shaft



Ø 25,38 mm [dia. 1.00 in]

Max. torque: 220 Nm [1947 in.lbf]



Auxiliary mounting pad

SAE A flanges



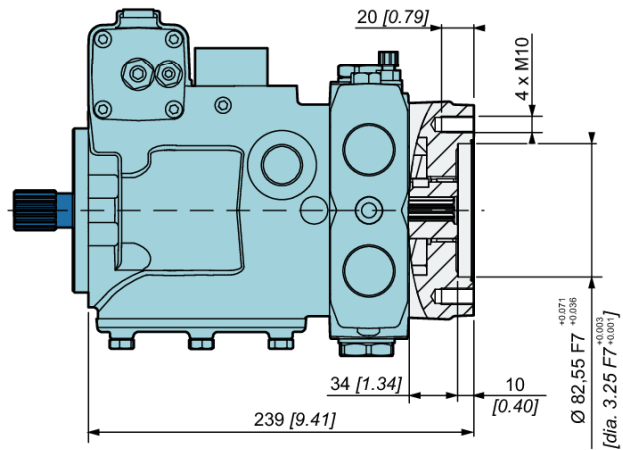
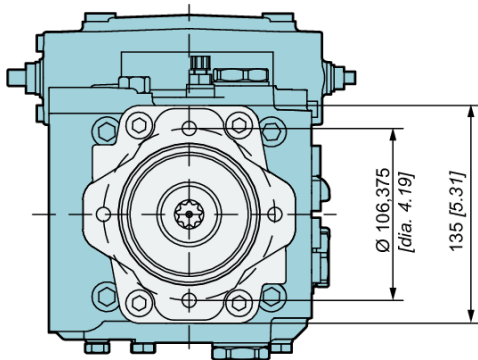
Flange type	Number of teeth	Pitch	Max. torque N.m [in.lbf]	
SAE A	9	5/8" pitch 16/32" DP	80 [708]	A
	11	3/4" pitch 16/32" DP	160 [1 416]	E

00 Without charge pump

11 With charge pump: 11,0 cm³/rev [0.67 in³/rev]

17 With charge pump: 16,9 cm³/rev [1.03 in³/rev]

Splined ANSI B92.1a
Pressure angle 30°
Tolerance class: 5



Do not rotate the thru shaft cover.

SAE-B and SAE-BB flanges



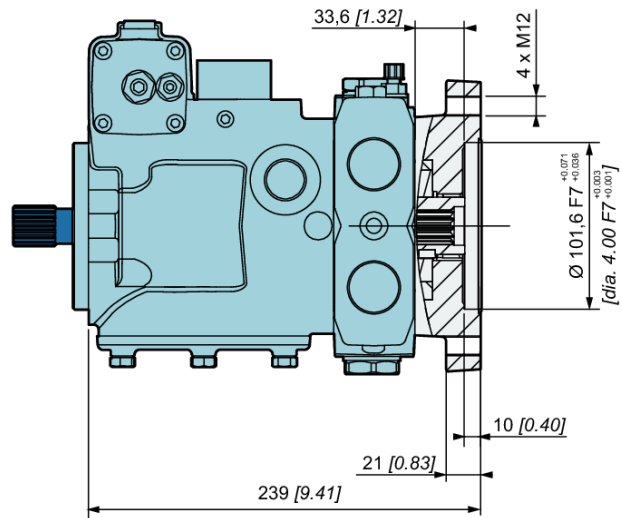
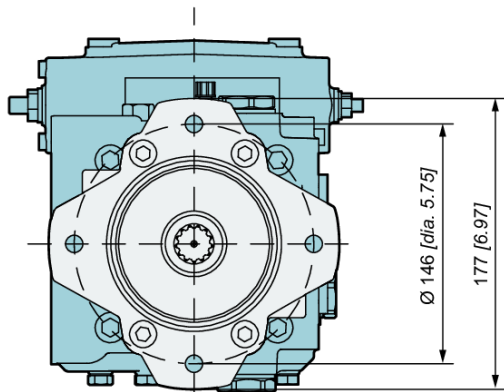
Flange type	Number of teeth	Pitch	Max. torque N.m [in.lbf]	
SAE B	13	7/8" pitch 16/32" DP	230 [2 036]	B
SAE BB	15	1" pitch 16/32" DP	360 [3 186]	C

- 00** Without charge pump

- 11** With charge pump: 11,0 cm³/rev [0.67 in³/rev]

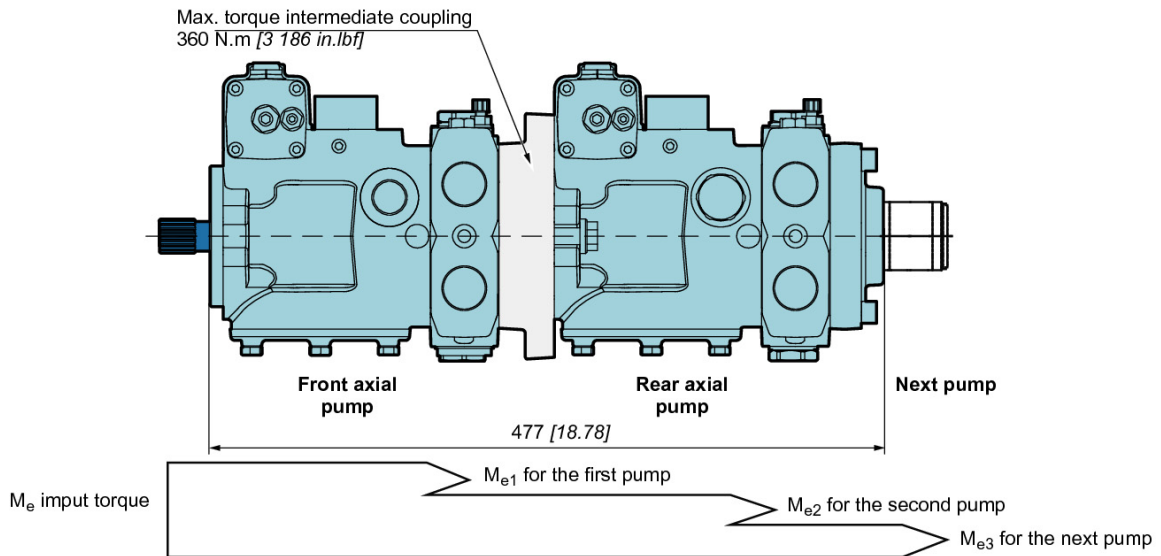
- 17** With charge pump: 16,9 cm³/rev [1.03 in³/rev]

Splined ANSI B92.1a
Pressure angle 30°
Tolerance class: 5



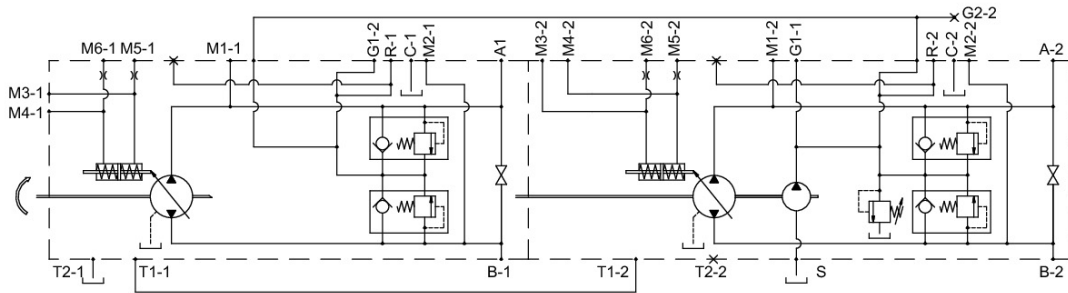
Do not rotate the thru shaft cover.

Tandem pumps



Torque required by auxiliary pumps is additive. Ensure requirements don't exceed shaft torque ratings.

Number of charge pump in the tandem	Axial pump	Mounting flange and shaft	Charge pump	Auxiliary mounting flange			
				Front	Rear		
0 charge pump	Front	SAE BB; 15 teeth	S4	Without	00	Tandem fitting	T
					00	Without fitting	S
						SAE A; 9 teeth	A
	SAE A; 11 teeth	E					
	Rear	SAE BB; 15 teeth	S4	Without	00	SAE B; 13 teeth	B
					00	SAE BB; 15 teeth	C
1 charge pump	Front	SAE BB; 15 teeth	S4	Without	00	Tandem fitting	T
					11 or 17	Without fitting	S
						SAE A; 9 teeth	A
	SAE A; 11 teeth	E					
	Rear	SAE BB; 15 teeth	S4	With	11 or 17	SAE B; 13 teeth	B
					11 or 17	SAE BB; 15 teeth	C
2 charge pumps	Front	SAE BB; 15 teeth	S4	With	11 or 17	SAE BB; 15 teeth	C
					11 or 17	Without fitting	S
						SAE A; 9 teeth	A
	SAE A; 11 teeth	E					
	Rear	SAE BB; 15 teeth	S4	With	11 or 17	SAE B; 13 teeth	B
					11 or 17	SAE BB; 15 teeth	C



Ports T and G of the first pump must be connected with ports T and G of the second pump.

Gear pumps



Auxiliary mounting pad

Gear pump

Displacement	Pressure			Dimension			Mass	Efficiency
	Continuous max.	Max. intermittent	Max. peak	A	B	C		
cm ³ /rev [cu.in/rev]	bar [PSI]	bar [PSI]	bar [PSI]	mm [in]	mm [in]	mm [in]	Kg [lb]	%
04 [0.24]	250 [3 625]	270 [3 915]	290 [4 205]	93 [3.66]			2,30 [5.07]	
06 [0.37]	250 [3 625]	270 [3 915]	290 [4 205]	96,3 [3.79]			2,45 [5.40]	
08 [0.52]	250 [3 625]	270 [3 915]	290 [4 205]	100,5 [3.96]			2,60 [5.73]	
11 [0.67]	250 [3 625]	270 [3 915]	290 [4 205]	104,6 [4.12]			2,70 [5.95]	
14 [0.85]	250 [3 625]	270 [3 915]	290 [4 205]	109,6 [4.31]	130,4 [5.13]	95 [3.74]	2,80 [6.17]	95*
17 [1.00]	230 [3 335]	240 [3 480]	250 [3 625]	113,8 [4.48]			2,95 [6.51]	
20 [1.19]	210 [3 045]	220 [3 190]	230 [3 335]	118,8 [4.68]			3,10 [6.84]	
23 [1.37]	190 [2 755]	200 [2 900]	210 [3 045]	123,8 [4.87]			3,25 [7.17]	
26 [1.59]	170 [2 465]	180 [2 610]	190 [2 755]	129,6 [5.10]			3,40 [7.50]	

* Value collected during the testing at 1500 rpm



Gear pumps are always delivered flanged on the axial pump. They can not be sold alone.

CONTROLS

Mechanical servo control with feed back



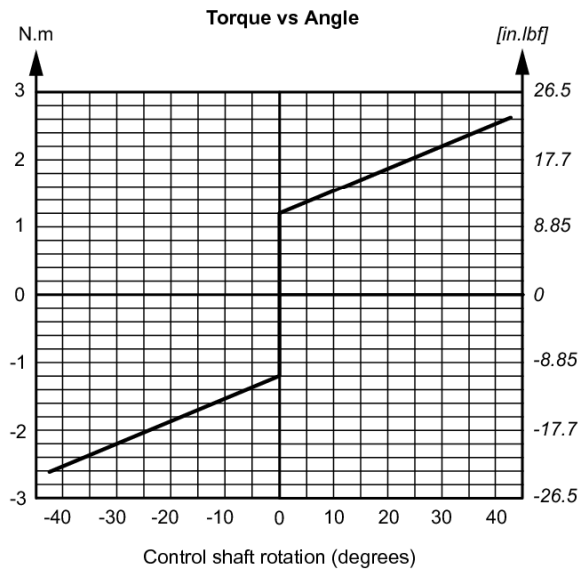
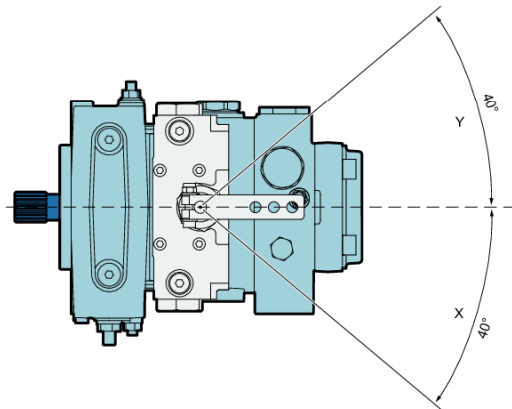
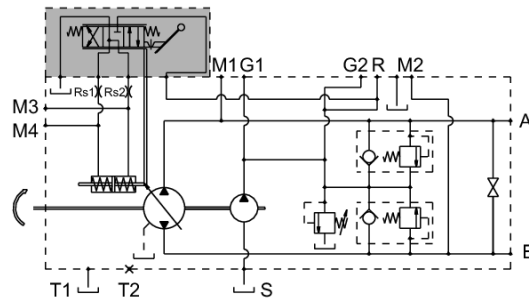
The variation in pump displacement is obtained by rotating the drive lever situated on the servo control. An internal channel, linked to the charge pump, feeds a hydraulic servo valve which supplies oil into the cylinder which is in turn linked to the pump swashplate. The maximum rotation of the lever, with respect to 0 is 40° for both rotation directions; thus permitting the optimum control of the displacement.

The feedback function is obtained by a lever that connects the swashplate and the servo piston. To avoid sudden accelerations and stoppages we introduce restrictors (Rs1 and Rs2) between the servo piston and the servo control.

The effort of moving the lever is independent of the pressure and rpm.

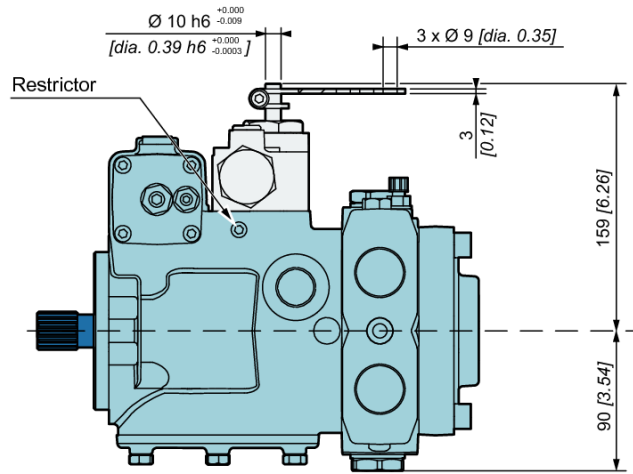
Flow rate determination

Rotation	Control	Output	Input
Clockwise (R)	X	A	B
	Y	B	A
Counter clockwise (L)	X	B	A
	Y	A	B

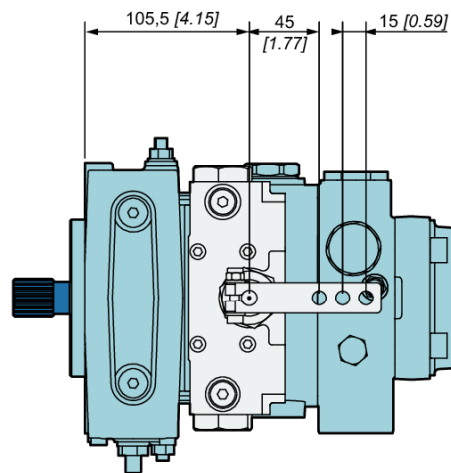


The spring return feature in the control unit is not a safety device.

Dimensions



See page 7 for other dimensions and port characteristics.



See option MI page 44 to add neutral position switch.

Hydraulic servo control



The variation in pump displacement is obtained by adjusting the pressure on the M5 and M6 servo control connections by means of a hydraulic proportional joystick (containing pressure reduction valves).

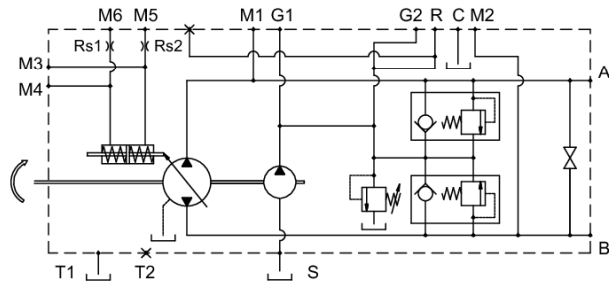
The joystick supply can be obtained by taking pressure from the auxiliary pump (G connection).

The servo control response time can be adjusted by inserting a restrictor (Rs1 and Rs2) on the joystick supply line (from 0,6 to 1,2 mm [from 0.02 to 0.05 in]).

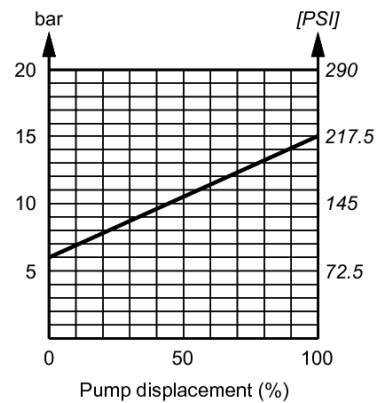
The servo control operation curve in both control directions goes from 6 to 15 bar [from 87 to 217 PSI]. The adjustment curve of the hydraulic control system has to be wider (from 5 to 16 bar [from 72.5 to 232 PSI]).

Flow rate determination

Rotation	Pressure	Output	Input
Clockwise (R)	M5	B	A
	M6	A	B
Counter clockwise (L)	M5	A	B
	M6	B	A

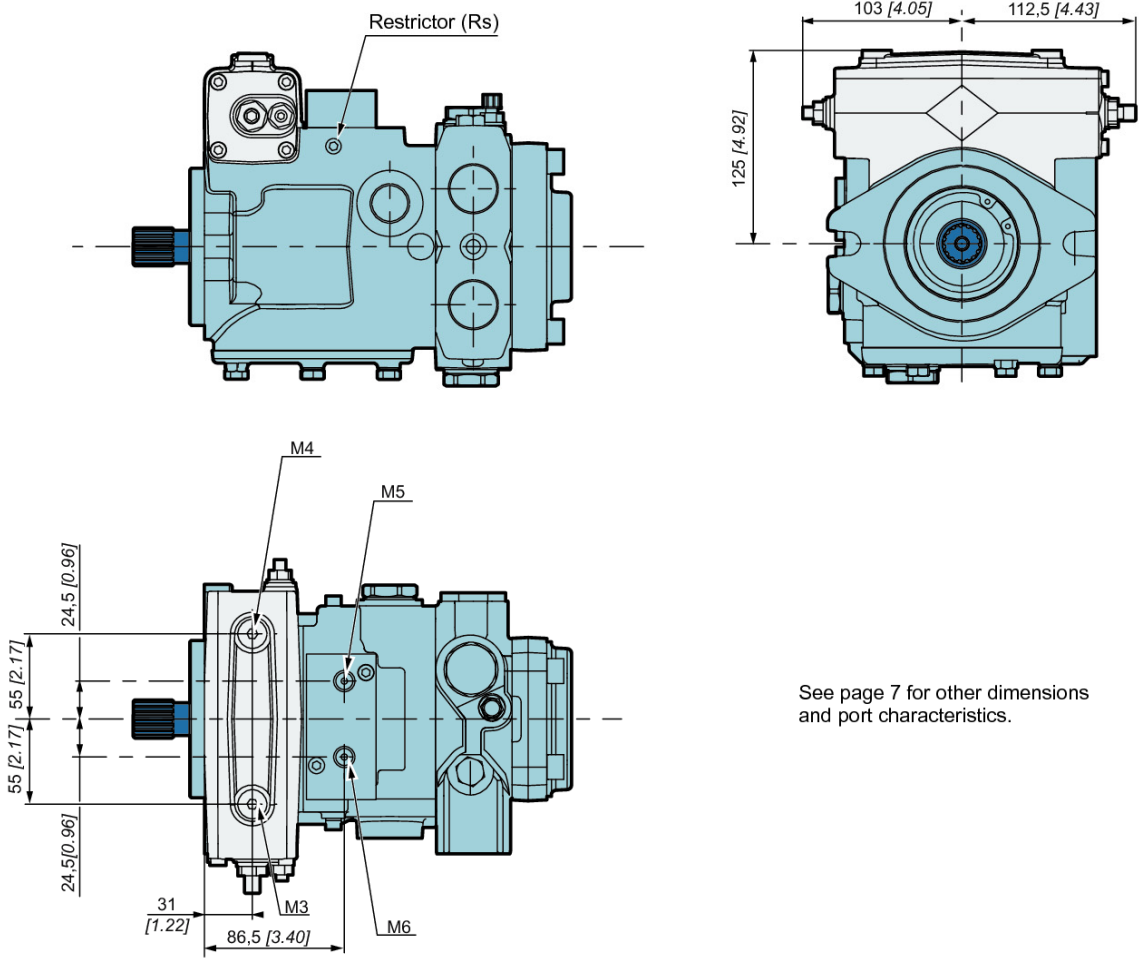


Servo pressure vs Displacement



The spring return feature in the control unit is not a safety device.

Dimensions



Electrical on-off servo control

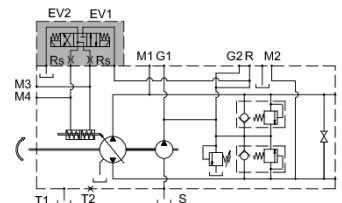
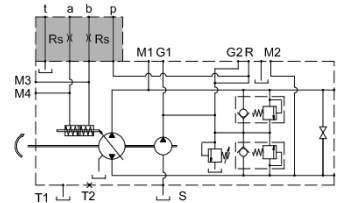
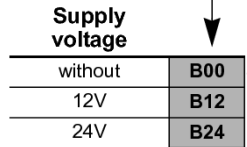
Control with return spring



The reaching of the maximum displacement in a time defined by the restrictors (Rs) which are positioned between the electrovalve and the drain (T) is obtained by the continuous starting of an On-Off electrovalve with an open-circuit CETOP 2 connection.

If the electro-valve motion is stopped, the pump goes back to "0" position thanks to the servo control springs.

The pump can be supplied either without electrovalve (B00) or with electrovalve (B12, B24).



The center of the on-off electrovalve is open

Control without return spring

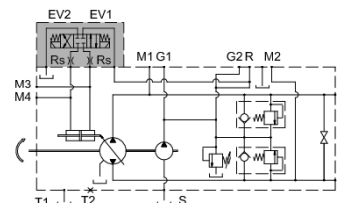
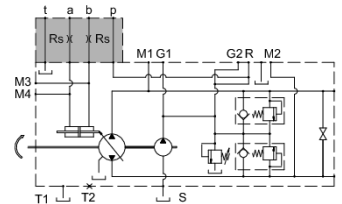
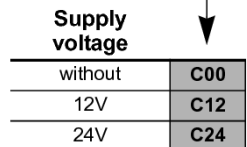


The variation in pump displacement is obtained by the energizing of an On-Off electrovalve with a closed center CETOP 2 connection.

The displacement reached is in relation to the starting time of the electro-valve and to the diameter of the restrictors (Rs) which are placed between the electrovalve and the drain (T).

The pump can be supplied either without electrovalve (C00) or with electrovalve (C12, C24).

The servo control is without springs and the setting of the pump at a certain displacement is guaranteed by the closed center of the electrovalve.



The center of the on-off electrovalve is closed

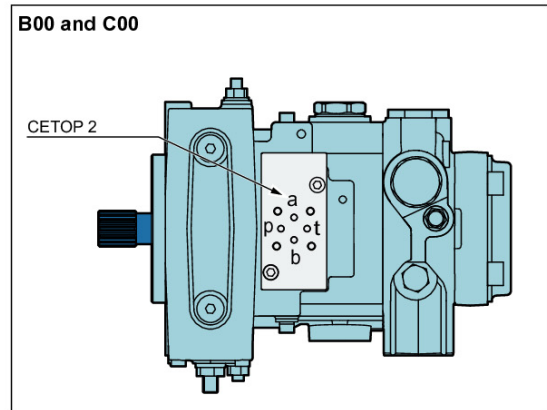
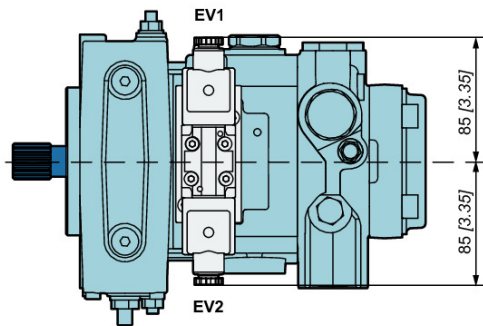
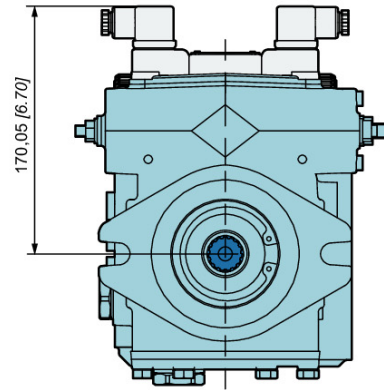
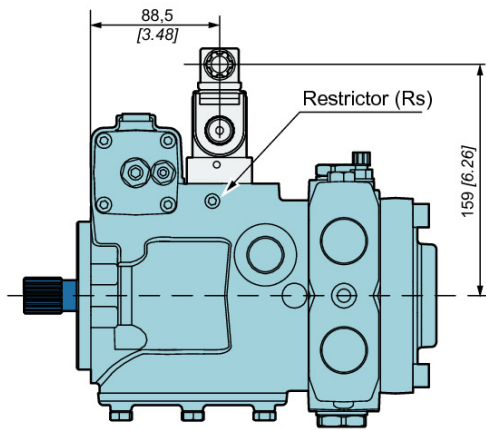
Flow rate determination

Rotation	Control	Pressure	Output	Input
Clockwise (R)	EV1	A	A	B
	EV2	B	B	A
Counter clockwise (L)	EV1	A	B	A
	EV2	B	A	B



The spring return feature in the control unit is not a safety device.

Dimensions



Type of connector: DIN 43650

See page 7 for other dimensions and port characteristics.

Electro-proportional servo control



By means of a potentiometer and a control card, a voltage signal is applied to the proportional electrovalve coils which adjust the pressure of the servo control connected to the pump swashplate.

At every position of the potentiometer lever, there is a corresponding swashplate position.

The flow rate direction depends on which coil is excited.

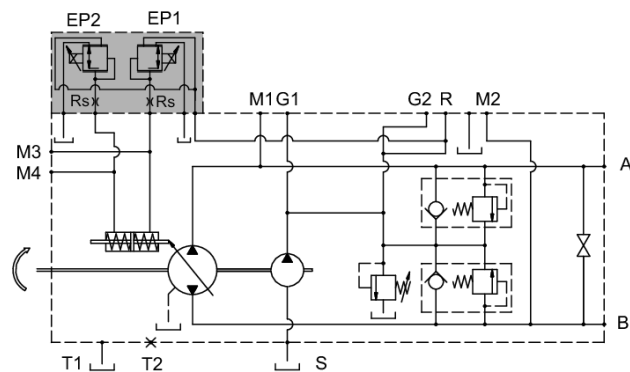
The reaction time can be controlled by ramps installed on the card and by restrictors (Rs) positioned between the electrovalve and the servo control.

Supply voltage

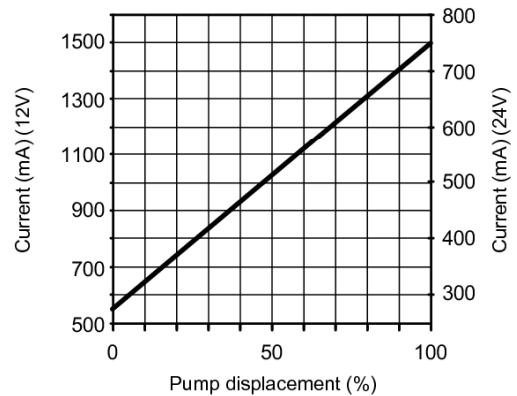
12V	P12
24V	P24

Flow rate determination

Rotation	Pressure	Output	Input
Clockwise (R)	EP1	B	A
	EP2	A	B
Counter clockwise (L)	EP1	A	B
	EP2	B	A



Electrovalve current vs Displacement

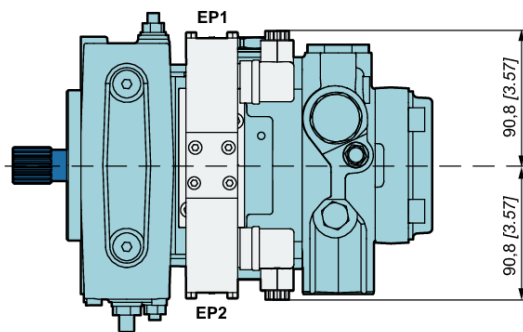
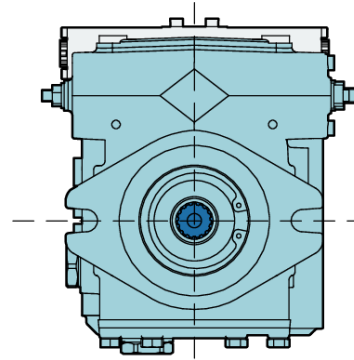
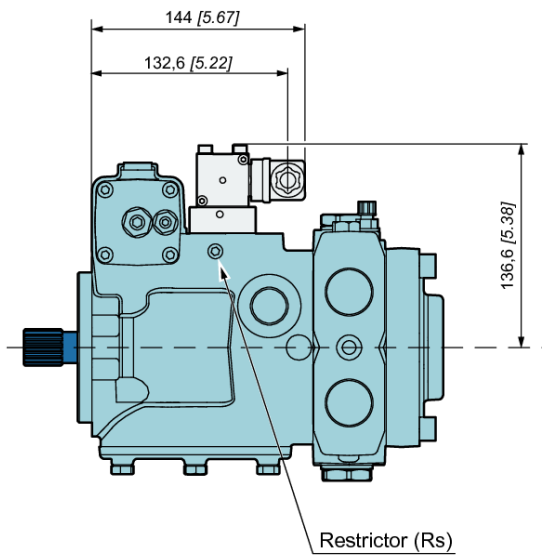


The current must not exceed 1500 mA under 12V and 800 mA under 24V.



The spring return feature in the control unit is not a safety device.

Dimensions



See page 7 for other dimensions
and port characteristics.

Type of connector: DIN 43650

Hydraulic automotive control



In relation to the input rotation rate, the pump swashplate positioning cylinder is actuated by the pressure of the automotive valve progressively positioning the swashplate and a 4/3 electro-hydraulic valve determine the direction. This provides a continuously variable pump displacement. The direction of the supplied flow is determined by which of the two solenoids is energized.

The pilot pressure increases proportionally to the rotation pump. A pump displacement increase corresponds to the higher pilot pressure.

In case the engine is overloaded, the rotation rate decreases and the pilot pressure is reduced causing a pump displacement reduction with a corresponding drop in absorbed power.

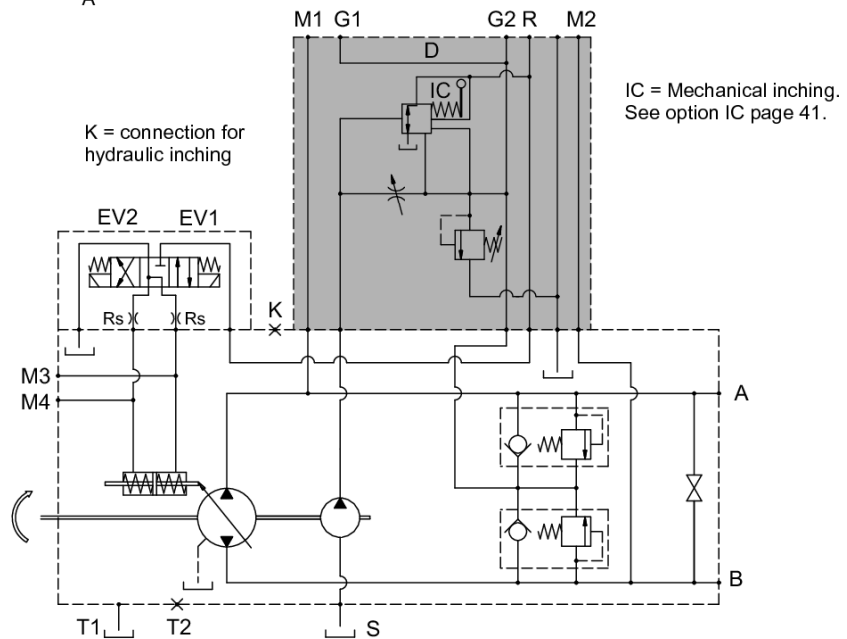
An "Inching" lever is available to reduce the pilot pressure independently of the pump rotation speed (See option IC page 41).

Supply voltage

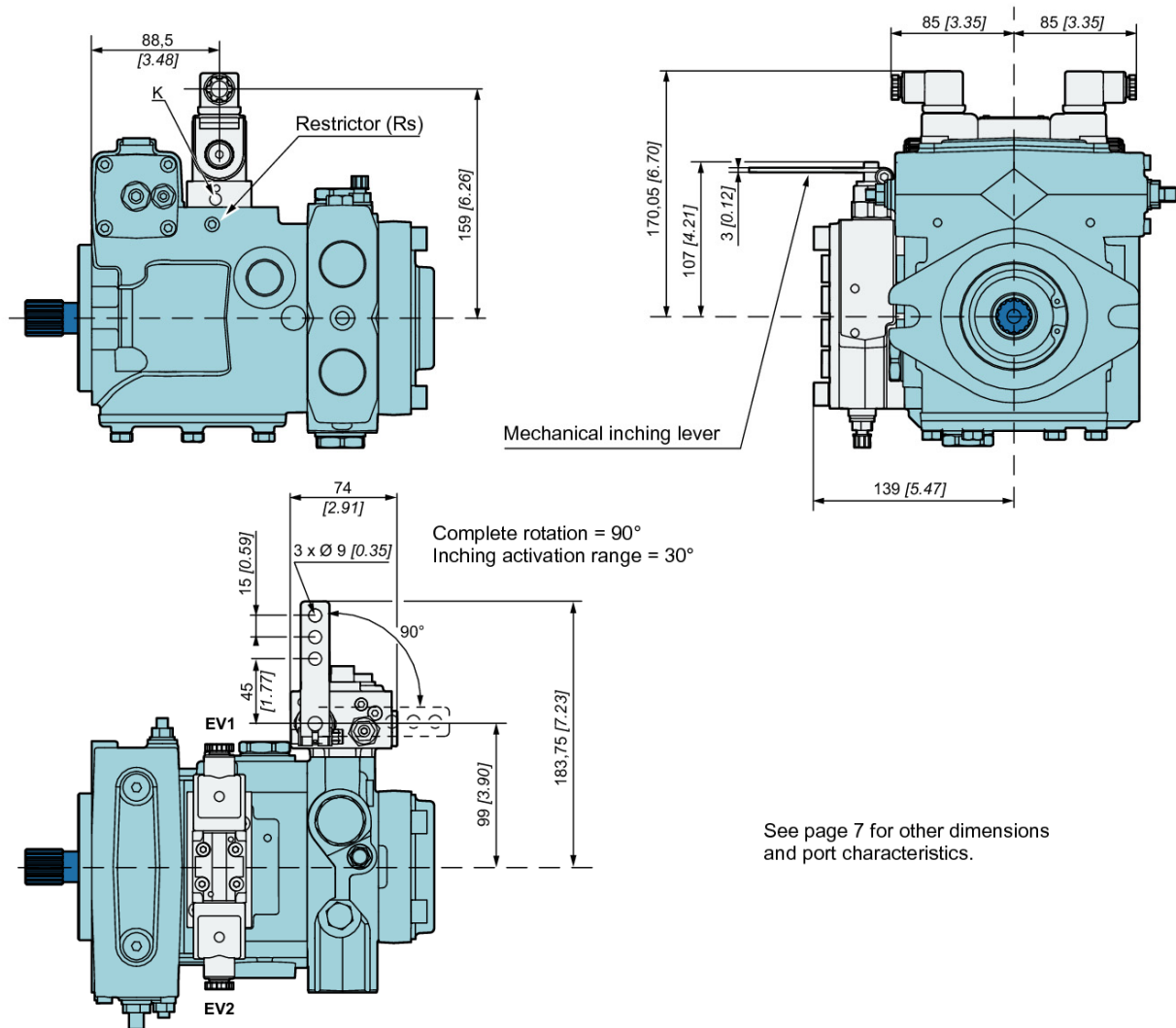
12V	D12
24V	D24

Flow rate determination

Rotation	Pressure	Output	Input
Clockwise (R)	EV1	B	A
	EV2	A	B
Counter clockwise (L)	EV1	A	B
	EV2	B	A



Dimensions (with option IC Mechanical inching)



Electro-proportional servo control with feed back



By means of a potentiometer and of a control card, a voltage signal is applied to the proportional electro-valve coils which adjust the pressure of the servo control connected to the pump swashplate.

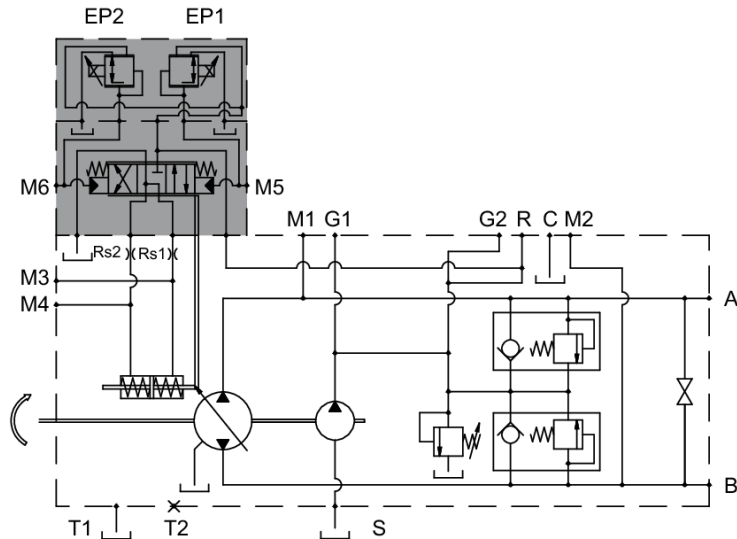
The feedback function is obtained by a lever that connects the swashplate and the servo piston. To avoid sudden accelerations and stoppages we introduce restrictors (Rs1 and Rs2) between the servo piston and the servo control.

At every position of the potentiometer lever, there is a corresponding swashplate position. The flow rate direction depends on which coil is excited.

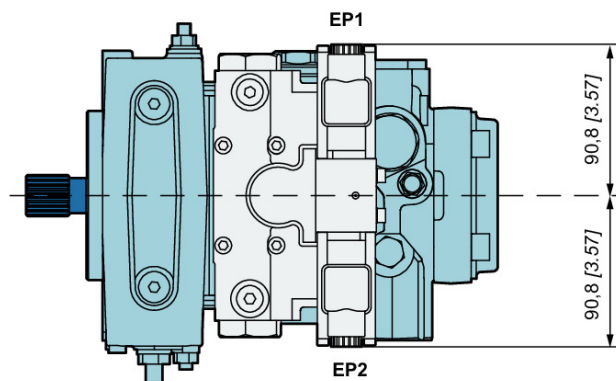
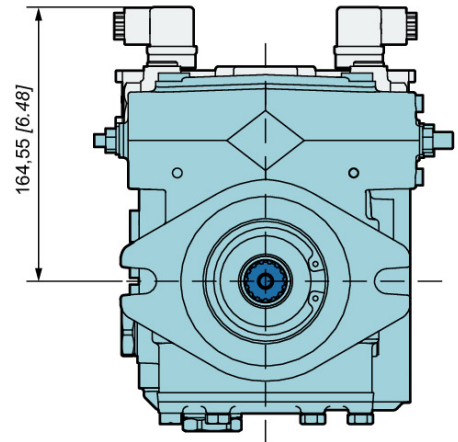
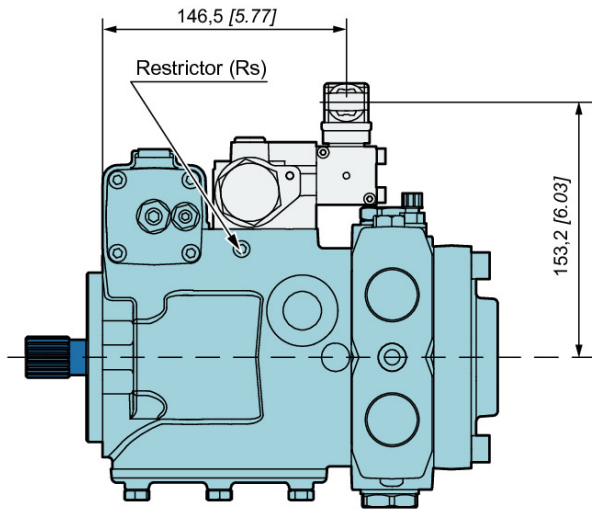
The reaction time can be controlled by ramps installed on the card and by restricters positioned between the electro-valve and the servo control.

The feed back system permit to maintain constant the displacement of the pump if the pressure change between pump and hydraulic motor.

Supply voltage	
12V	Q12
24V	Q24



Dimensions



See page 7 for other dimensions and port characteristics.

Hydraulic servo control with feed back



The variation in pump displacement is obtained by adjusting the pressure on the M5 and M6 feed back system connections by means of a hydraulic proportional joystick (containing pressure reduction valves).

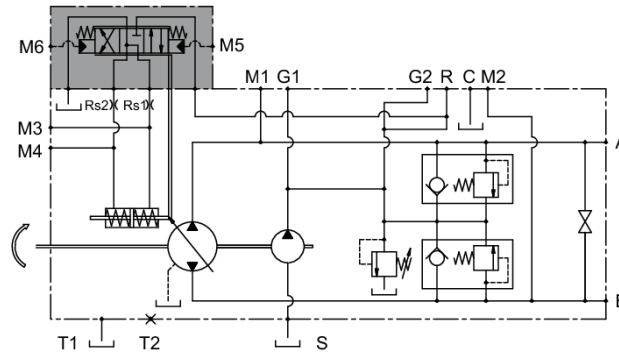
The feedback function is obtained by a lever that connects the swashplate and the servo piston. To avoid sudden accelerations and stoppages we introduce restrictors (Rs1 and Rs2) between the servo piston and the servo control.

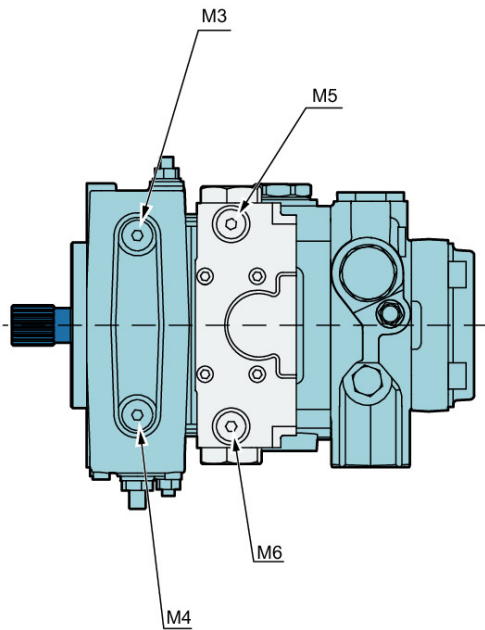
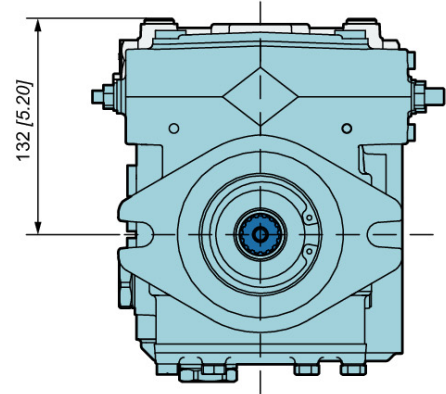
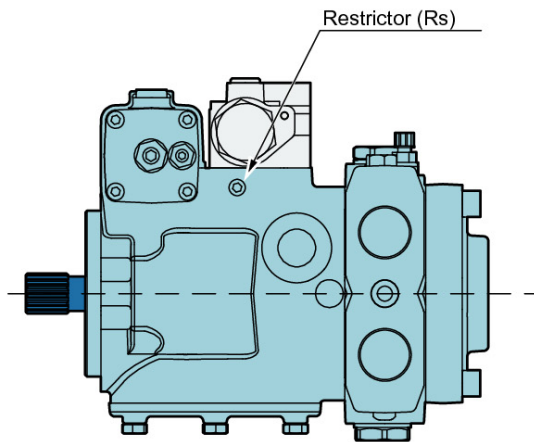
The joystick supply can be obtained by taking pressure from the auxiliary pump (G connection). The servo control feedback time can be adjusted by inserting a restrictor between the control block and the servo-control piston.

The servo control operation curve in both control directions goes from 6 to 15 bar [87 to 218 PSI].

The adjustment curve of the hydraulic control system has to be wider (5 ÷ 16 bar).

The feed-back system between swash plate and servo piston permit to maintain constant the displacement of the pump if change the pressure between pump and hydraulic motor.



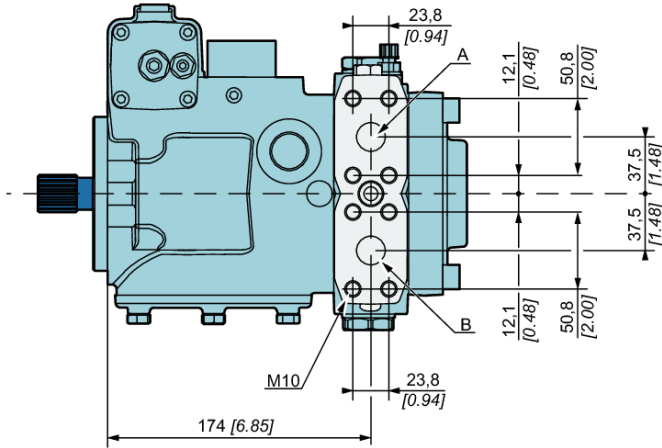
Dimensions

See page 7 for other dimensions
and port characteristics.

OPTIONS

SAE flange ports

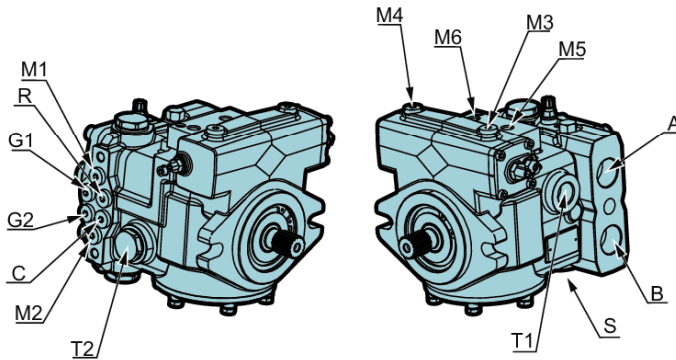
1 2 3 4 5 6 7 8 9 10 11 **FS**



Port	Function	SAE flange
A-B	Services	3/4" flange SAE (414 bar [6 000 PSI])
G1/G2	Auxiliary	1/4" GAS
M1/M2	A-B pressure	1/4" GAS
M3/M4	Servo control	1/4" GAS
M5/M6	Pilot pressure	1/4" GAS
S	Suction	1" GAS
T1/T2	Drain	3/4" GAS
R	Servo pilot pressure	1/4" GAS
C	Case pressure	1/4" GAS

UNF threads ports

1 2 3 4 5 6 7 8 9 10 11 **FU**



Port	Function	UNF ISO 11926-1
A/B	Services	1 1/16 - 12
C	Case pressure	1/2 - 20
G1/G2	Auxiliary/Charge pressure	1/2 - 20
M1/M2	A/B pressure	1/2 - 20
M3/M4	Servo control	1/2 - 20
M5/M6	Pilot pressure	1/2 - 20
R	Servo pilot pressure	1/2 - 20
S	Suction	1 5/16 - 12
T1/T2	Drain	1 1/16 - 12

Mechanical inching

1 2 3 **D12** or **D24** 4 5 6 7 8 9 10 11 **IC**

For hydraulic automotive control D. An "Inching" lever is available to reduce the pilot pressure independently of the pump rotation speed. See Hydraulic automotive control D page 34.

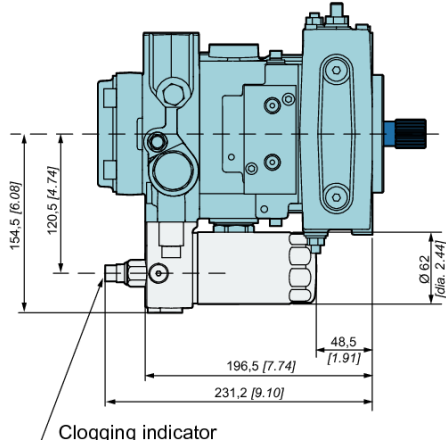
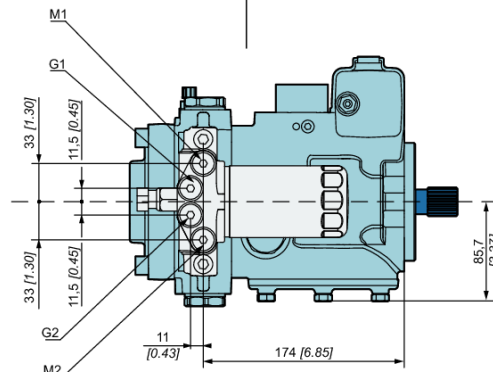
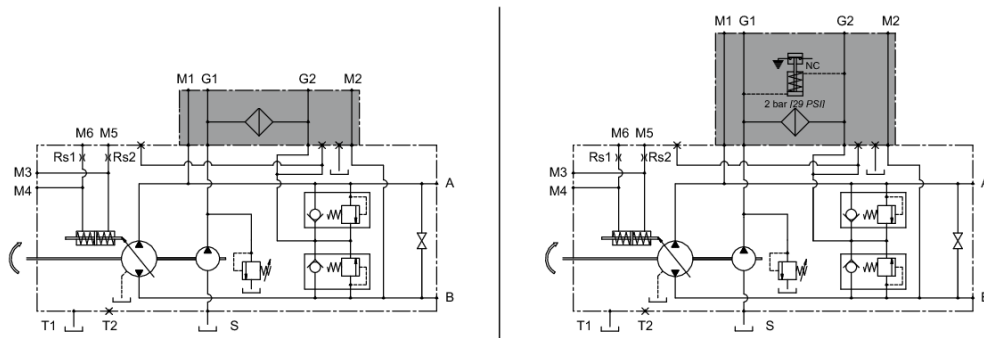
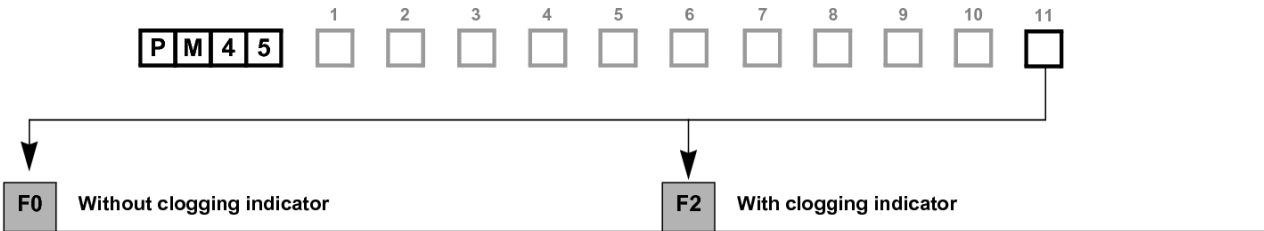
Filter on pressure line

The PM45 pumps can have a pressure filter without clogging indicator (F0) or with clogging indicator (F2). The flow thru the filter is only the flow that entry in the close loop. The filter fitness is of 10 micron.

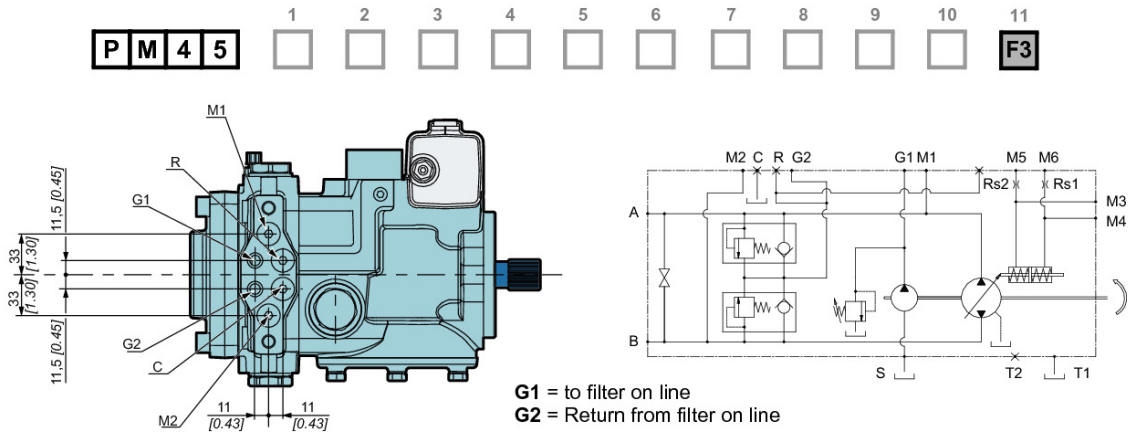
Maximum pressure difference between filter cartridge input and output is 2 bar [29 PSI]. When reaching 2 bar [29 PSI], the cartridge has to be changed.

The max. working pressure is 30 bar [435 PSI].

Tightening torque: 35 Nm [309 in.lbf].



External connections for filter



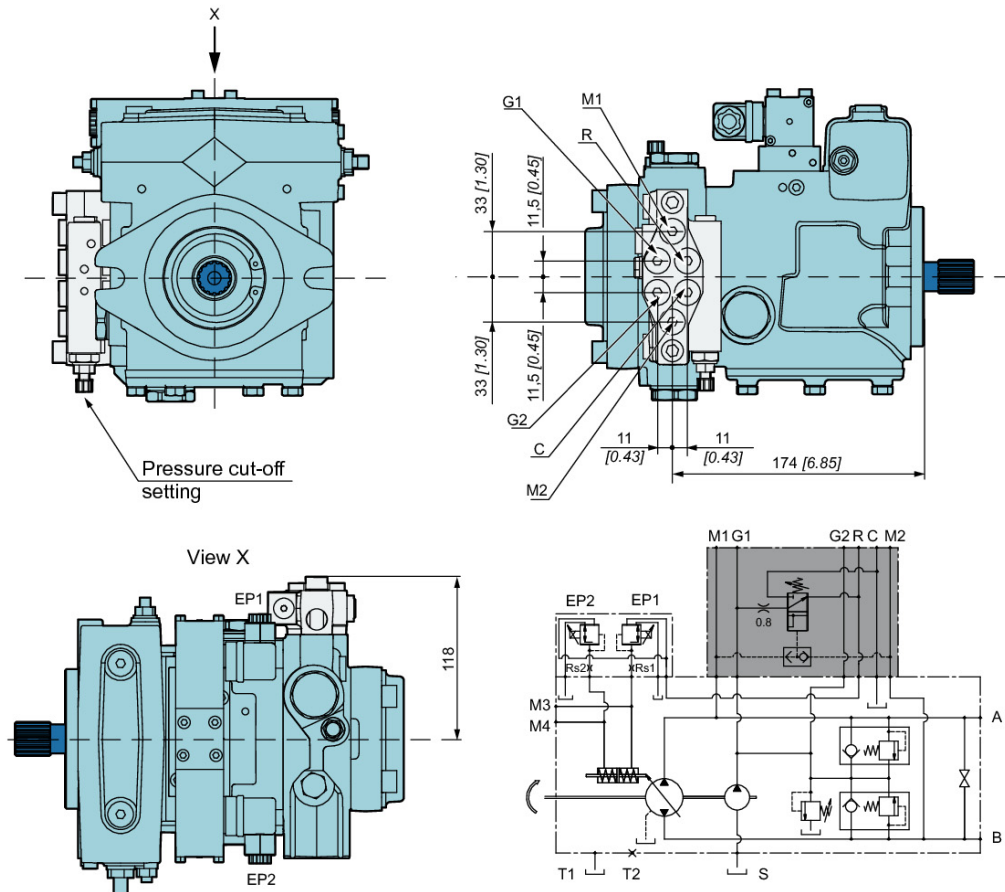
Pressure cut-off valve



The function of the cut-off valve is to avoid that the pump absorbed power when the pressure in the closed loop is nearly to the value of the high pressure relief valve.

The cut-off valve is connected to A and B piston pump's high pressure lines and is usually set at 20 to 30 bar [290 to 435 PSI] lower than the maximum relief valve of the closed circuit.

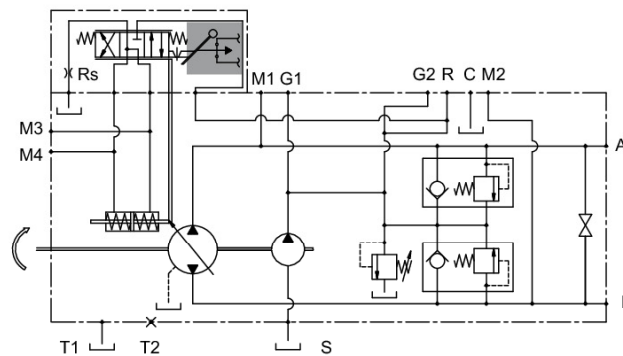
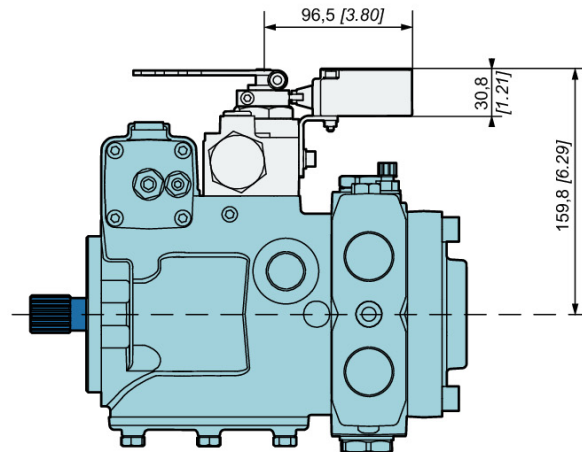
The cut-off valve acts on the servo control operating pressure in order to reduce the pump displacement and the adsorbed power.



Neutral position switch



For the control A (see page 26 Mechanical servo control with feed back) it is possible to obtain a micro switch to avoid the start of the engine if the lever of the control is not in center (zero position).



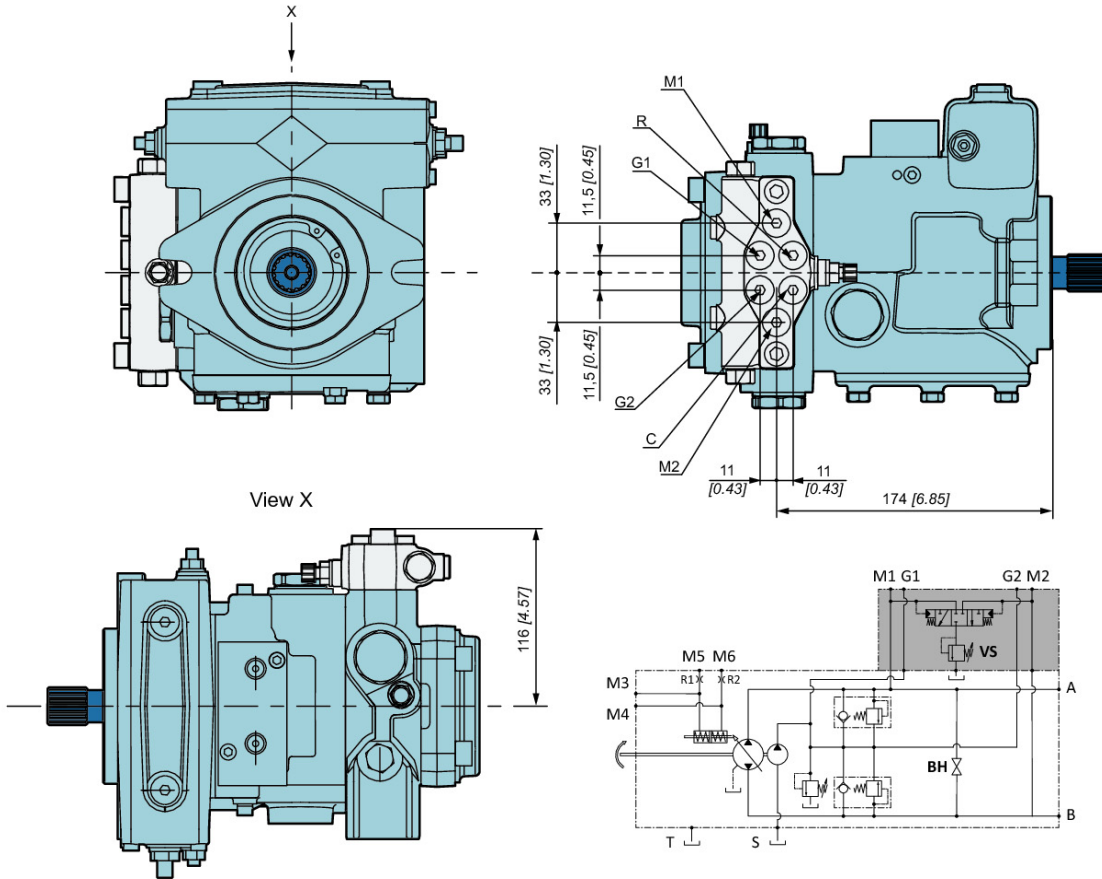
Electrical characteristics

Type of connector	Deutsch DT04-2P
Output	NC and NO
Cable connections	PG 13,2
Max. current	10 A
Electric load type	Resistive
Operating temperature	from -25°C to 80°C [-13°F to 176°F]
Type of protection	IP 67

Flushing valve

P	M	4	5	1	2	3	4	5	6	7	8	9	10	VS
----------	----------	----------	----------	---	---	---	---	---	---	---	---	---	----	-----------

On the pump cover, a flushing valve can be fitted with discharge inside the pump casing through a relief valve of the flushing valve. The exchange valve is useful in case the temperature of the oil in the closed circuit is too high.



Finishing coat

P	M	4	5	1	2	3	4	5	6	7	8	9	10	PA
----------	----------	----------	----------	---	---	---	---	---	---	---	---	---	----	-----------

The pumps can be delivered with finishing coat when requested. Standard paint is RAL 9005 (black color).



Consult your Poclain Hydraulics application engineer for other colors of topcoat.

Customized identification plate



It is possible to provide our products with dedicated plate (your part number engraved on the plate) when requested.



This option is available only for minimum volume of 50 pieces.



Consult your Poclain Hydraulics application engineer for other possibilities.

Anti-stall valve



SD option consists of a block valve (same body as automotive valve) which provide a pressure signal for the servo piston of the pump related to the speed of engine. In case of engine overload and consequent rpm reduction the SD valve reduces the pressure for the servo piston and the pump de-stroke consequentially with an anti-stall effect.



For application of this option please contact your Poclain Hydraulics application engineer.

