



PL3H PUMPS



PL3H14 – 285. HYDRAULIC PUMPS. CHARACTERISTICS

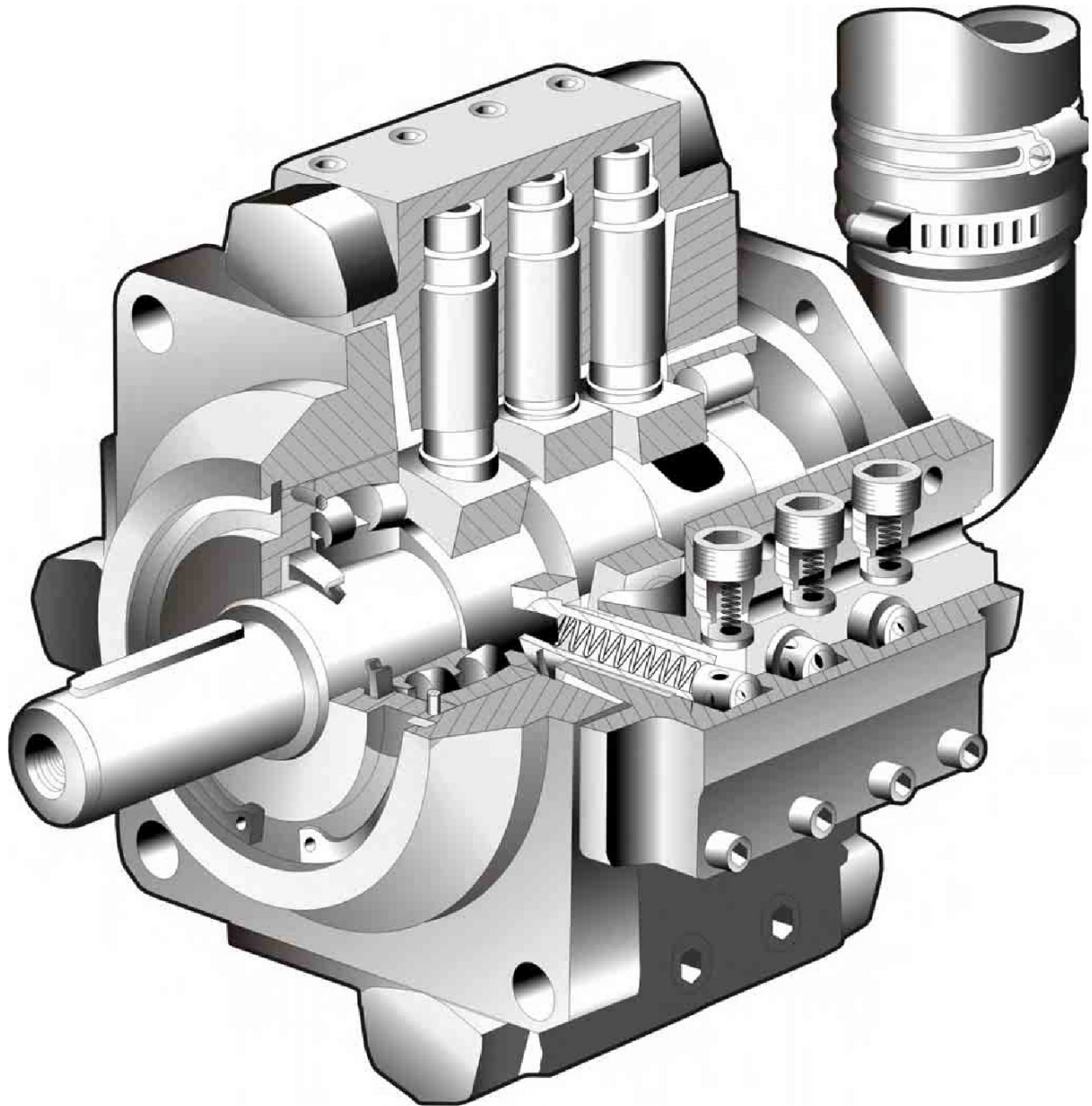
| | | | | | | | | | | | | | | | | | | | |
|---|---|---|---|---|---|---|---|---|---|---|---|---|---|---|---|---|---|---|---|
| B | | | | | | T | | | C | | | F | | | S | | | | |
| 1 | 2 | 3 | 4 | 5 | 6 | 1 | 2 | 3 | 1 | 2 | 3 | 1 | 2 | 3 | 1 | 2 | 3 | 4 | 5 |
| P | L | | H | | | F | O | | | | | 4 | 7 | | 0 | 0 | 0 | 0 | 0 |

| | Displacement cm ³ /tr [cu.in/rev.] | Max. speed tr/min [RPM] | | Flow(*) l/min [GPM] | | Max. pressure bar [PSI] | | Max. power (*) kW [HP] | |
|------|---|-------------------------------|-------|---------------------------|---------------------|-------------------------------|-------------|------------------------------|-----------|
| | | Cont. | int. | Cont. | int. | Cont. | int. | Cont. | int. |
| 2H14 | 2 x 17.5 [2 x 1.07] | 2 700 | 3 100 | 2 x 47 [2 x 12.42] | 2 x 54 [2 x 14.27] | 350 [5 076] | 450 [6 527] | 55 [74] | 81 [109] |
| | 2 x 20 [2 x 1.22] | 2 600 | 3 000 | 2 x 52 [2 x 13.74] | 2 x 60 [2 x 15.85] | | | 61 [82] | 90 [121] |
| | 2 x 22 [2 x 1.34] | 2 500 | 2 900 | 2 x 55 [2 x 14.53] | 2 x 64 [2 x 16.91] | | | 64 [86] | 96 [129] |
| | 2 x 25 [2 x 1.52] | 2 400 | 2 800 | 2 x 60 [2 x 15.85] | 2 x 70 [2 x 18.49] | | | 70 [94] | 105 [141] |
| | 2 x 28.5 [2 x 1.74] | 2 300 | 2 600 | 2 x 65 [2 x 17.17] | 2 x 74 [2 x 19.55] | | | 76 [102] | 111 [149] |
| | 2 x 32 [2 x 1.95] | 2 100 | 2 400 | 2 x 67 [2 x 17.70] | 2 x 77 [2 x 20.34] | | | 78 [105] | 115 [155] |
| 3H14 | 3 x 17.5 [3 x 1.07] | 2 900 | 3 400 | 3 x 51 [3 x 13.47] | 3 x 60 [3 x 15.85] | 350 [5 076] | 450 [6 527] | 89 [120] | 134 [180] |
| | 3 x 20 [3 x 1.22] | 2 800 | 3 200 | 3 x 56 [3 x 14.79] | 3 x 64 [3 x 16.91] | | | 98 [132] | 144 [194] |
| | 3 x 22 [3 x 1.34] | 2 700 | 3 100 | 3 x 59 [3 x 15.59] | 3 x 68 [3 x 17.96] | | | 104 [140] | 153 [206] |
| | 3 x 25 [3 x 1.52] | 2 550 | 3 000 | 3 x 64 [3 x 16.91] | 3 x 75 [3 x 19.81] | | | 112 [151] | 169 [227] |
| | 3 x 28.5 [3 x 1.74] | 2 400 | 2 800 | 3 x 68 [3 x 17.96] | 3 x 80 [3 x 21.13] | | | 119 [160] | 180 [242] |
| | 3 x 32 [3 x 1.95] | 2 200 | 2 500 | 3 x 70 [3 x 18.49] | 3 x 80 [3 x 21.13] | | | 123 [165] | 180 [242] |
| | 3 x 37 [3 x 2.26] | 2 100 | 2 400 | 3 x 78 [3 x 20.61] | 3 x 89 [3 x 23.51] | | | 137 [184] | 200 [269] |
| 4H10 | 4 x 10.3 [4 x 0.63] | 2 500 | 2 700 | 4 x 26 [4 x 6.87] | 4 x 28 [4 x 7.40] | 350 [5 076] | 450 [6 527] | 59 [79] | 84 [113] |
| | 4 x 12.5 [4 x 0.76] | 2 400 | 2 700 | 4 x 30 [4 x 7.93] | 4 x 34 [4 x 8.98] | | | 70 [94] | 102 [137] |
| 4H14 | 4 x 17.5 [4 x 1.07] | 2 700 | 3 100 | 4 x 47 [4 x 12.42] | 4 x 54 [4 x 14.27] | 350 [5 076] | 450 [6 527] | 110 [148] | 163 [219] |
| | 4 x 20 [4 x 1.22] | 2 500 | 2 900 | 4 x 50 [4 x 13.74] | 4 x 58 [4 x 15.32] | | | 117 [157] | 174 [234] |
| | 4 x 22 [4 x 1.34] | 2 400 | 2 800 | 4 x 53 [4 x 14.53] | 4 x 62 [4 x 16.38] | | | 123 [165] | 185 [249] |
| | 4 x 25 [4 x 1.52] | 2 300 | 2 600 | 4 x 57 [4 x 15.06] | 4 x 65 [4 x 17.17] | | | 134 [180] | 195 [262] |
| | 4 x 28.5 [4 x 1.74] | 2 100 | 2 400 | 4 x 60 [4 x 15.85] | 4 x 68 [4 x 17.96] | | | 140 [188] | 205 [276] |
| | 4 x 32 [4 x 1.95] | 1 900 | 2 200 | 4 x 61 [4 x 16.11] | 4 x 70 [4 x 18.49] | | | 142 [191] | 211 [284] |
| | 4 x 37 [4 x 2.26] | 1 800 | 2 000 | 4 x 66 [4 x 17.44] | 4 x 74 [4 x 19.55] | | | 154 [207] | 222 [298] |
| | 4 x 33 [4 x 2.01] | 2 300 | 2 500 | 4 x 74 [4 x 19.55] | 4 x 82 [4 x 21.66] | | | 152 [204] | 246 [331] |
| 4H18 | 4 x 44 [4 x 2.68] | 2 300 | 2 500 | 4 x 101 [4 x 26.68] | 4 x 110 [4 x 29.06] | 300 [4 351] | 450 [6 527] | 210 [282] | 330 [444] |
| | 4 x 52 [4 x 3.17] | 2 200 | 2 400 | 4 x 114 [4 x 30.12] | 4 x 125 [4 x 33.02] | | | 237 [319] | 376 [506] |
| 4H20 | 4 x 58 [4 x 3.54] | 2 200 | 2 400 | 4 x 128 [4 x 33.81] | 4 x 139 [4 x 36.72] | 350 [5 076] | 450 [6 527] | 299 [402] | 417 [561] |
| | 4 x 74 [4 x 4.51] | 2 100 | 2 300 | 4 x 155 [4 x 40.95] | 4 x 170 [4 x 44.91] | | | 362 [487] | 510 [686] |
| 6H14 | 6 x 17.5 [6 x 1.07] | 2 800 | 3 200 | 6 x 49 [6 x 12.94] | 6 x 56 [6 x 14.79] | 350 [5 076] | 450 [6 527] | 171 [230] | 252 [339] |
| | 6 x 20 [6 x 1.22] | 2 600 | 3 000 | 6 x 52 [6 x 13.74] | 6 x 60 [6 x 15.85] | | | 182 [245] | 270 [363] |
| | 6 x 22 [6 x 1.34] | 2 400 | 2 800 | 6 x 53 [6 x 14.00] | 6 x 62 [6 x 16.38] | | | 185 [249] | 277 [372] |
| | 6 x 25 [6 x 1.52] | 2 300 | 2 700 | 6 x 57 [6 x 15.06] | 6 x 67 [6 x 17.70] | | | 201 [270] | 304 [409] |
| | 6 x 28.5 [6 x 1.74] | 2 200 | 2 500 | 6 x 63 [6 x 16.64] | 6 x 71 [6 x 18.76] | | | 219 [294] | 320 [430] |
| | 6 x 32 [6 x 1.95] | 2 000 | 2 300 | 6 x 64 [6 x 16.91] | 6 x 74 [6 x 19.55] | | | 224 [301] | 331 [445] |
| 6H20 | 6 x 58 [6 x 3.54] | 2 200 | 2 400 | 6 x 128 [6 x 33.81] | 6 x 139 [6 x 36.72] | 350 [5 076] | 450 [6 527] | 449 [604] | 626 [842] |
| | 6 x 65 [6 x 3.96] | 2 000 | 2 200 | 6 x 130 [6 x 34.34] | 6 x 143 [6 x 37.78] | | | 455 [612] | 643 [864] |
| | 6 x 74 [6 x 4.51] | 1 800 | 2 000 | 6 x 133 [6 x 35.13] | 6 x 148 [6 x 39.10] | | | 465 [625] | 666 [895] |

Cont.: Continuous operation.
Int.: Intermittent operation.
(*): Theoretical data.



Efficiency values must be taken into account when calculating the power absorbed by the pump.



Methodology :

This document is intended for manufacturers of machines that incorporate Poclairn Hydraulics products. It describes the technical characteristics of Poclairn Hydraulics products and specifies installation conditions that will ensure optimum operation.

This document includes important comments concerning safety. They are indicated in the following way:



Safety comment.

This document also includes essential operating instructions for the product and general information. These are indicated in the following way:



Essential instructions.



General information .



Information on the model number.



Weight of component without oil.



Volume of oil.



Units.



Tightening torque.



Screws.




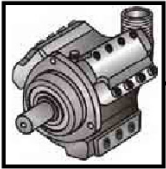

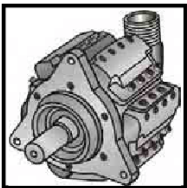
Information intended for Poclairn-Hydraulics personnel.

The views in this document are created using metric standards.

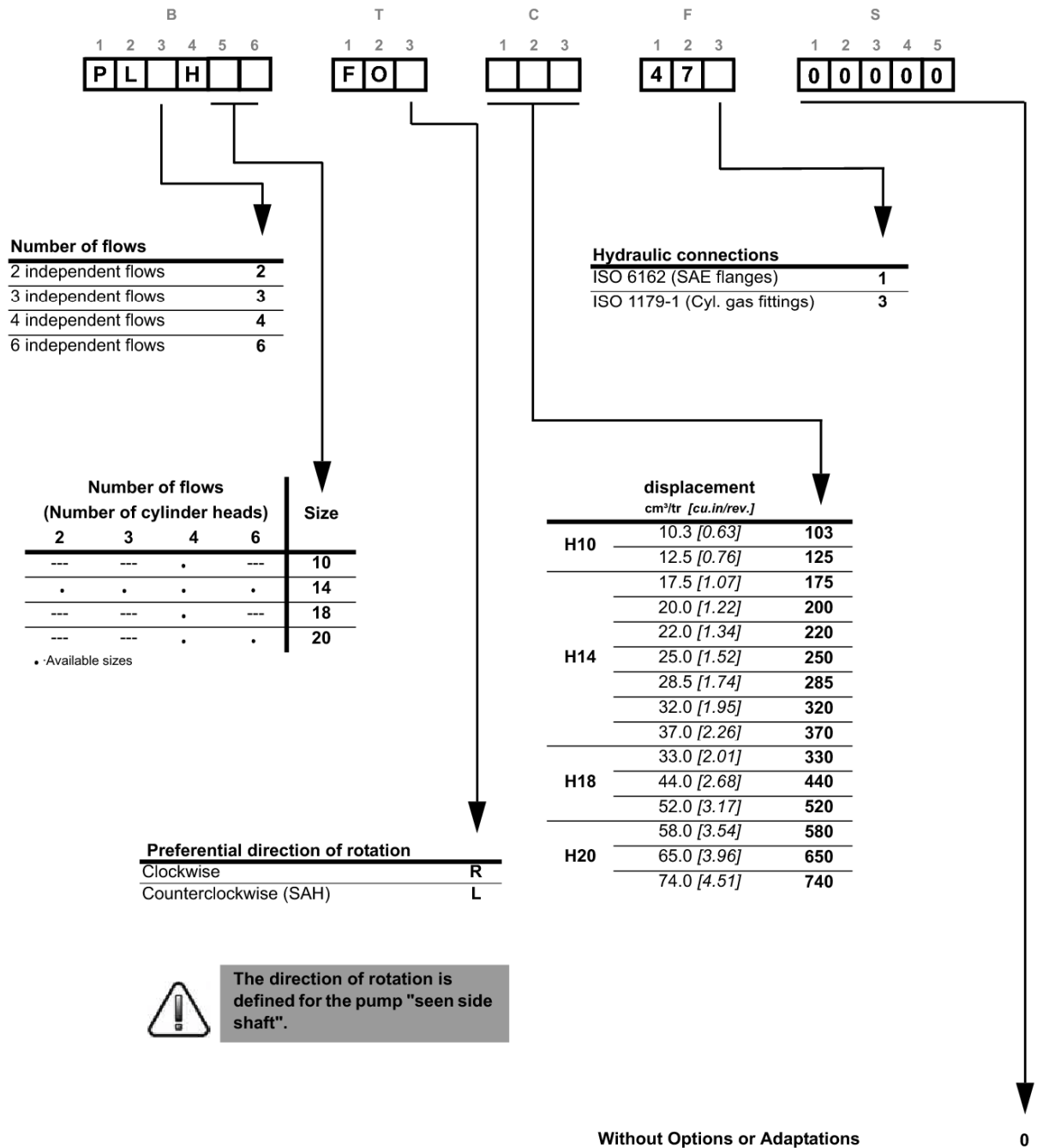
The dimensional data is given in mm and in inches (inches are between brackets and italic)



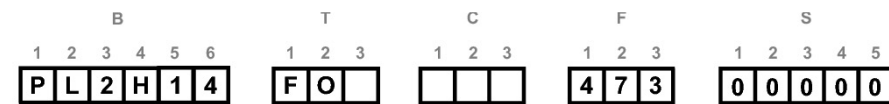
CONTENT

| | | | |
|---|--------------------------------------|-----------|--------------|
| | MODEL CODE | 7 | Model code |
|  | PUMP WITH 2 INDEPENDENT FLOWS | 8 | PL 2 |
|  | PUMP WITH 3 INDEPENDENT FLOWS | 10 | PL 3 |
|  | PUMP WITH 4 INDEPENDENT FLOWS | 12 | PL 4 |
|  | PUMP WITH 6 INDEPENDENT FLOWS | 20 | PL 6 |
| | INSTALLATION | 25 | Installation |

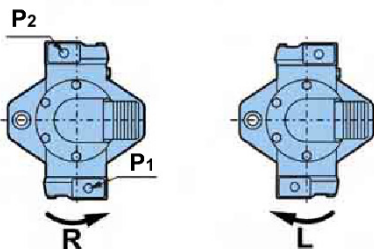
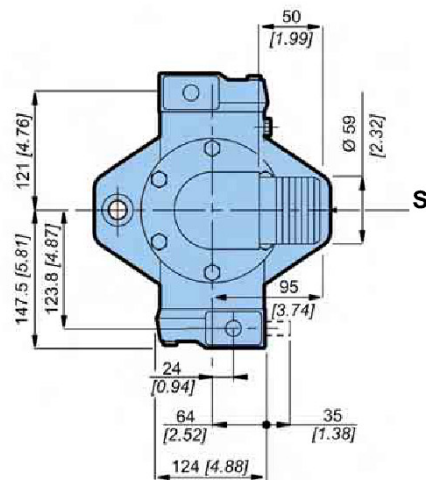
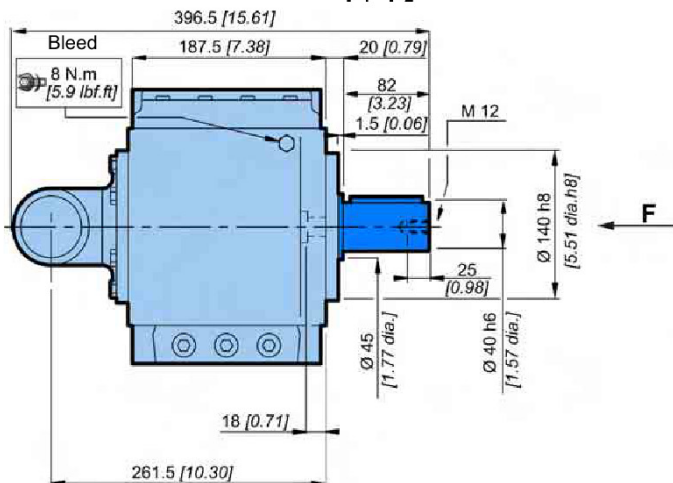
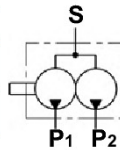
MODEL CODE



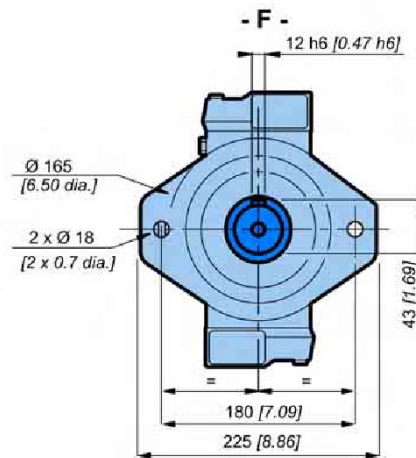
PUMP WITH 2 INDEPENDENT FLOWS



| | |
|----------------|--------------------------------|
| | 2H14 |
| | 38 kg [83.8 lb] |
| inertia | 0.0026 kg.m² |



If possible, use the standard direction of rotation: clockwise (counterclockwise available as an option).
 The direction of rotation is indicated by an arrow on the cylinder head.
 The position of the discharge ports differs according to the direction of rotation.

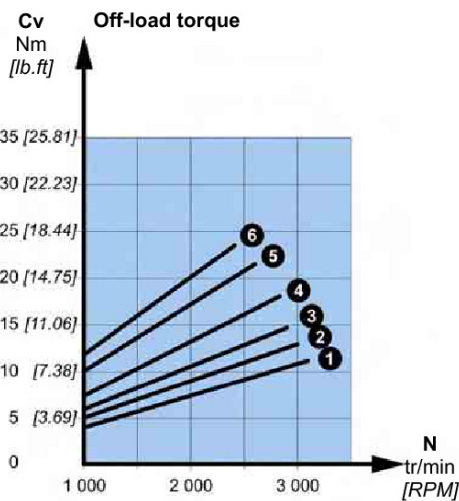
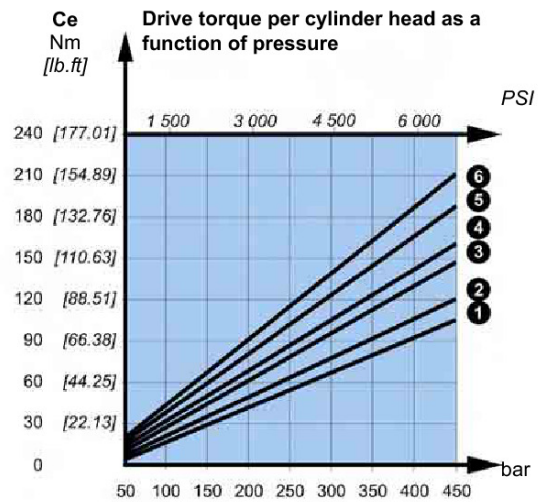
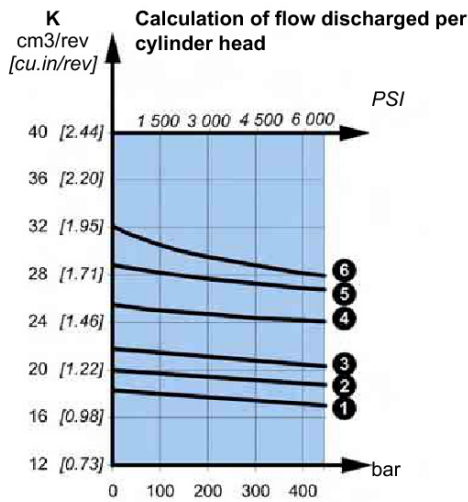


Hydraulic connections

| | Displacement | Old standards | Standards | Hydraulic connections |
|-------------|----------------------------------|---------------|------------|-----------------------|
| | cm ³ /tr [cu.in/rev.] | | | |
| 2H14 | 1 2 x 17.5 [2 x 1.07] | BSPP | ISO 1179-1 | Ø 21 [1/2" dia.] |
| | 2 2 x 20 [2 x 1.22] | | | |
| | 3 2 x 22 [2 x 1.34] | | | |
| | 4 2 x 25 [2 x 1.52] | BSPP | ISO 1179-1 | Ø 27 [3/4" dia.] |
| | 5 2 x 28.5 [2 x 1.74] | | | |
| | 6 2 x 32 [2 x 1.95] | | | |

Characteristics

| | Max. speed tr/min [RPM] | | Flow l/min [GPM] | | Max. pressure bar [PSI] | | Max. power kW [HP] | | |
|------|----------------------------|-------|---------------------|-----------------------|----------------------------|----------------|-----------------------|-------------|--------------|
| | Cont. | int. | Cont. | int. | Cont. | int. | Cont. | int. | |
| 2H14 | 1 | 2 700 | 3 100 | 2 x 47 [2 x 12.42] | 2 x 54 [2 x 14.27] | 350 [5 076] | 450 [6 527] | 55 [74] | 81 [109] |
| | 2 | 2 600 | 3 000 | 2 x 52 [2 x 13.74] | 2 x 60 [2 x 15.85] | | | 61 [82] | 90 [121] |
| | 3 | 2 500 | 2 900 | 2 x 55 [2 x 14.53] | 2 x 64 [2 x 16.91] | | | 64 [86] | 96 [129] |
| | 4 | 2 400 | 2 800 | 2 x 60 [2 x 15.85] | 2 x 70 [2 x 18.49] | | | 70 [94] | 105 [141] |
| | 5 | 2 300 | 2 600 | 2 x 65 [2 x 17.17] | 2 x 74 [2 x 19.55] | | | 76 [102] | 111 [149] |
| | 6 | 2 100 | 2 400 | 2 x 67 [2 x 17.70] | 2 x 77 [2 x 20.34] | | | 78 [105] | 115 [155] |



Absorbed power

- P = Absorbed power (kW)
- Cv = Off-load torque (Nm)
- Ce = Drive torque per body (Nm)
- n = number of bodies
- N = Speed of rotation (RPM)

$$P = \frac{[Cv + (Ce \times n)] \times N}{954}$$

Flow

- K = Effective displacement taking into account the compressibility of oil and the volumetric efficiency (cm³/rev)
- N = Speed of rotation (RPM)
- Q = Flow per body (l/min)

$$Q = \frac{K \times N}{1000}$$

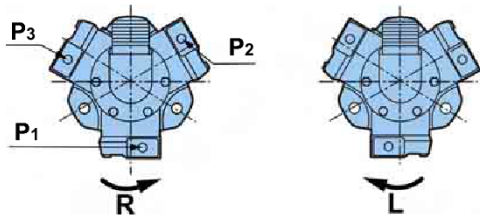
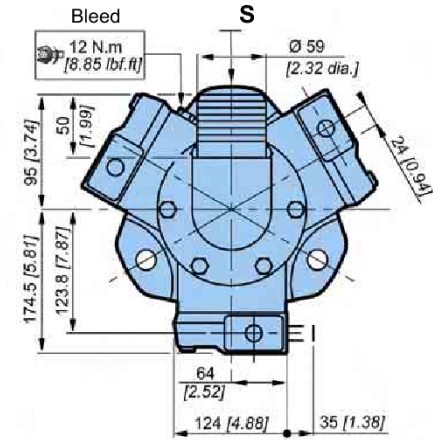
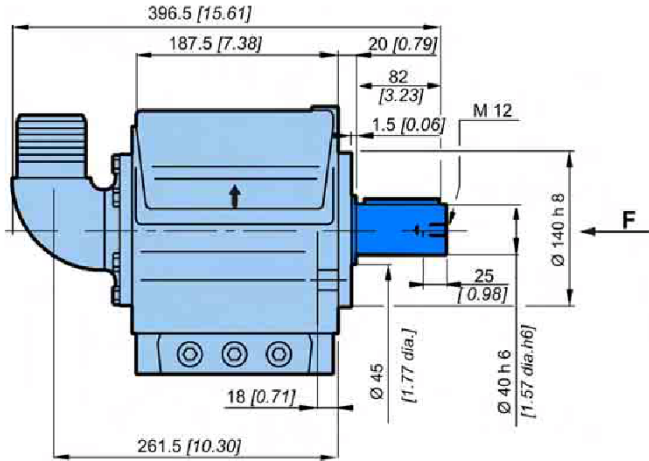


Convert the final result to obtain the power in HP.

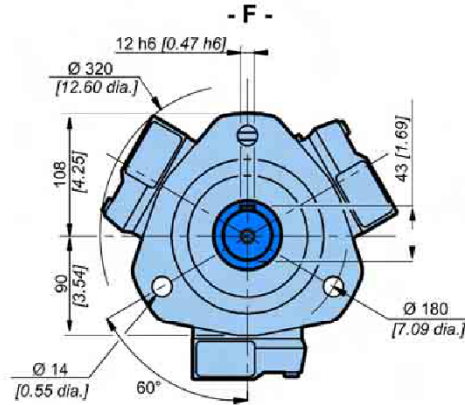
PUMP WITH 3 INDEPENDENT FLOWS

| | | | | | | | | | | | | | | | | | | | |
|---|---|---|---|---|---|---|---|---|---|---|---|---|---|---|---|---|---|---|---|
| B | | | | | | T | | | C | | | F | | | S | | | | |
| 1 | 2 | 3 | 4 | 5 | 6 | 1 | 2 | 3 | 1 | 2 | 3 | 1 | 2 | 3 | 1 | 2 | 3 | 4 | 5 |
| P | L | 3 | H | 1 | 4 | F | O | | | | | 4 | 7 | 3 | 0 | 0 | 0 | 0 | 0 |

| | |
|---------|--------------------------|
| | 3H14 |
| | 47 kg [103.6 lb] |
| inertia | 0.0026 kg.m ² |



If possible, use the standard direction of rotation: clockwise (counterclockwise available as an option). The direction of rotation is indicated by an arrow on the cylinder head. The position of the discharge ports differs according to the direction of rotation.

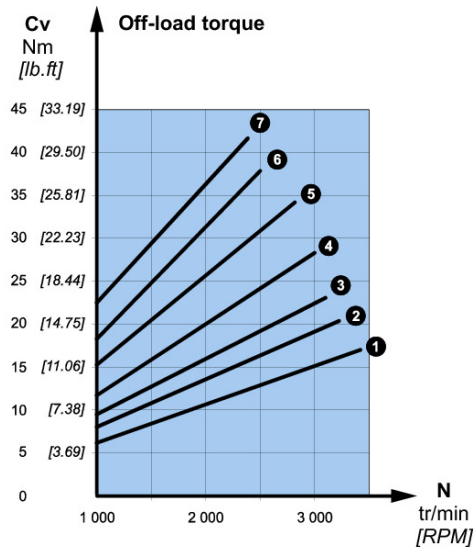
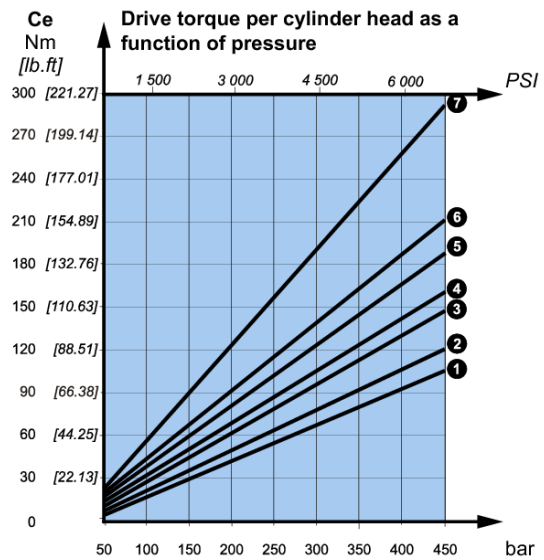
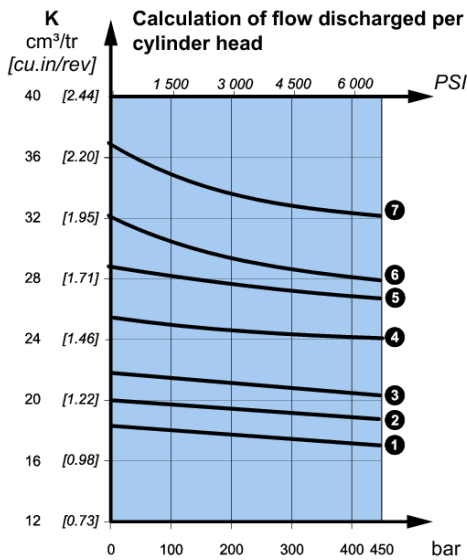


Hydraulic connections

| | Displacement cm ³ /tr [cu.in/rev.] | Old standards | Standards | Hydraulic connections |
|------|--|---------------|------------|-----------------------|
| 3H14 | 1 3 x 17.5 [3 x 1.07] | BSPP | ISO 1179-1 | Ø 21 [1/2" dia.] |
| | 2 3 x 20 [3 x 1.22] | | | |
| | 3 3 x 22 [3 x 1.34] | | | |
| | 4 3 x 25 [3 x 1.52] | BSPP | ISO 1179-1 | Ø 27 [3/4" dia.] |
| | 5 3 x 28.5 [3 x 1.74] | | | |
| | 6 3 x 32 [3 x 1.95] | | | |
| | 7 3 x 37 [3 x 2.26] | | | |

Characteristics

| | Max. speed tr/min [RPM] | | Flow l/min [GPM] | | Max. pressure bar [PSI] | | Max. power kW [HP] | | |
|-------------|----------------------------|-------|---------------------|-----------------------|----------------------------|----------------|-----------------------|------|-----|
| | Cont. | int. | Cont. | int. | Cont. | int. | Cont. | int. | |
| 3H14 | 1 | 2 900 | 3 400 | 3 x 51 [3 x 13.47] | 3 x 60 [3 x 15.85] | 350 [5 076] | 450 [6 527] | 89 | 134 |
| | 2 | 2 800 | 3 200 | 3 x 56 [3 x 14.79] | 3 x 64 [3 x 16.91] | | | 98 | 144 |
| | 3 | 2 700 | 3 100 | 3 x 59 [3 x 15.59] | 3 x 68 [3 x 17.96] | | | 104 | 153 |
| | 4 | 2 550 | 3 000 | 3 x 64 [3 x 16.91] | 3 x 75 [3 x 19.81] | | | 112 | 169 |
| | 5 | 2 400 | 2 800 | 3 x 68 [3 x 17.96] | 3 x 80 [3 x 21.13] | | | 119 | 180 |
| | 6 | 2 200 | 2 500 | 3 x 70 [3 x 18.49] | 3 x 80 [3 x 21.13] | | | 123 | 180 |
| | 7 | 2 100 | 2 400 | 3 x 78 [3 x 20.61] | 3 x 89 [3 x 23.51] | | | 137 | 200 |
| | | | | | | | 184 | 269 | |



Absorbed power

- P = Absorbed power (kW)
- Cv = Off-load torque (Nm)
- Ce = Drive torque per body (Nm)
- n = number of bodies
- N = Speed of rotation (RPM)

$$P = \frac{[Cv + (Ce \times n)] \times N}{954}$$

Flow

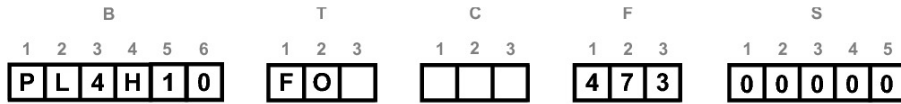
- K = Effective displacement taking into account the compressibility of oil and the volumetric efficiency (cm³/rev)
- N = Speed of rotation (RPM)
- Q = Flow per body (l/min)

$$Q = \frac{K \times N}{1000}$$

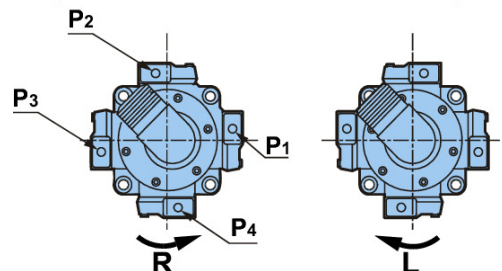
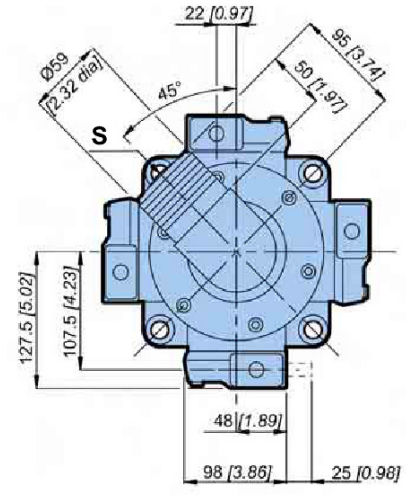
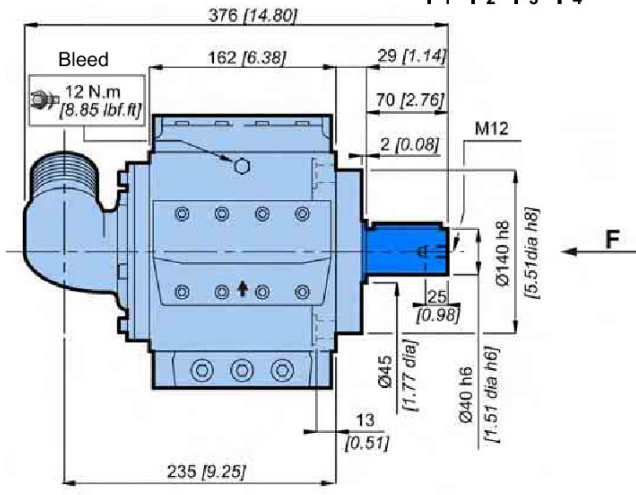
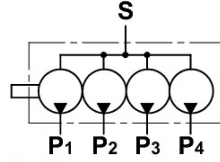


Convert the final result to obtain the power in HP.

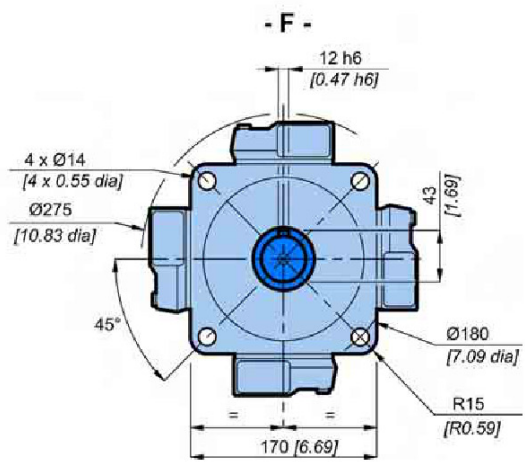
PUMP WITH 4 INDEPENDENT FLOWS



| | |
|---------|--------------------------|
| | 4H10 |
| | 42 kg [93 lb] |
| inertia | 0.0026 kg.m ² |



If possible, use the standard direction of rotation: clockwise (counterclockwise available as an option).
 The direction of rotation is indicated by an arrow on the cylinder head.
 The position of the discharge ports differs according to the direction of rotation.

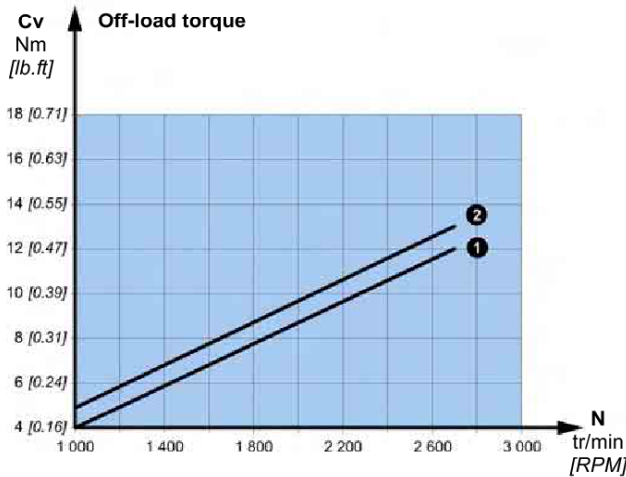
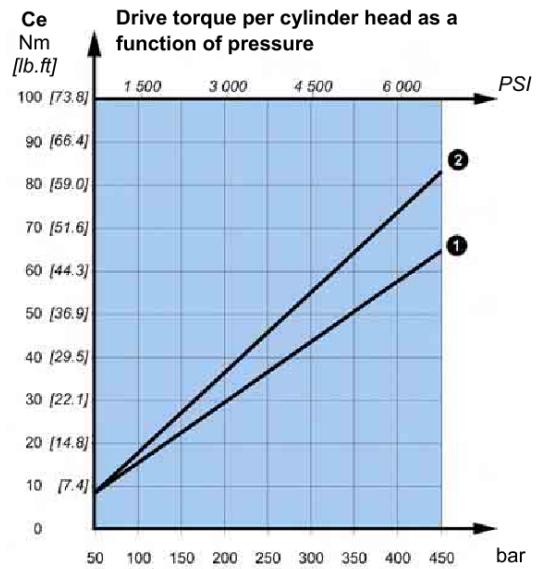
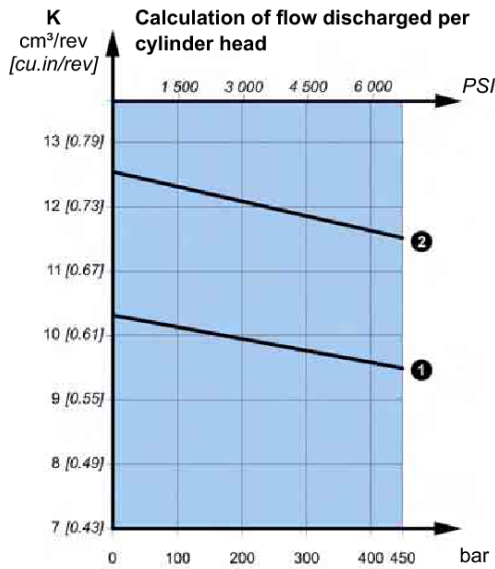


Hydraulic connections

| | Displacement | Old standards | Standards | Hydraulic connections |
|------|--|---------------|------------|-----------------------|
| | cm ³ /tr [cu.in/rev.] | | | |
| 4H10 | 1 4 x 10.3 [4 x 0.63] 2 4 x 12.5 [4 x 0.76] | BSP | ISO 1179-1 | Ø17 [3/8" dia.] |

Characteristics

| | Max. speed tr/min [RPM] | | Flow l/min [GPM] | | Max. pressure bar [PSI] | | Max. power kW [HP] | | |
|------|----------------------------|-------|---------------------|----------------------|----------------------------|----------------|-----------------------|------------|--------------|
| | Cont. | int. | Cont. | int. | Cont. | int. | Cont. | int. | |
| 4H10 | 1 | 2 500 | 2 700 | 4 x 26 [4 x 6.87] | 4 x 28 [4 x 7.40] | 350 [5 076] | 450 [6 527] | 59 [79] | 84 [113] |
| | 2 | 2 400 | 2 700 | 4 x 30 [4 x 7.93] | 4 x 34 [4 x 8.98] | | | 70 [94] | 102 [137] |



Absorbed power

- P = Absorbed power (kW)
- Cv = Off-load torque (Nm)
- Ce = Drive torque per body (Nm)
- n = number of bodies
- N = Speed of rotation (RPM)

$$P = \frac{[Cv + (Ce \times n)] \times N}{954}$$

Flow

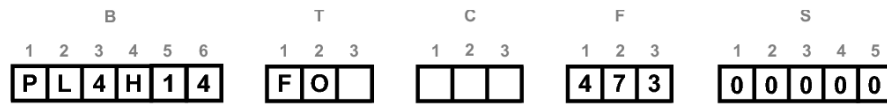
- K = Effective displacement taking into account the compressibility of oil and the volumetric efficiency (cm³/rev)
- N = Speed of rotation (RPM)
- Q = Flow per body (l/min)

$$Q = \frac{K \times N}{1000}$$

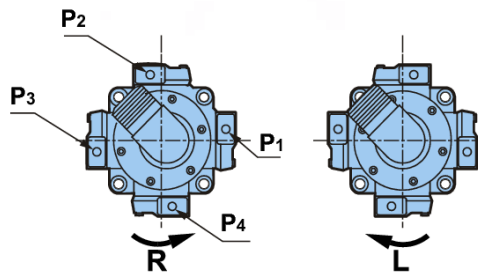
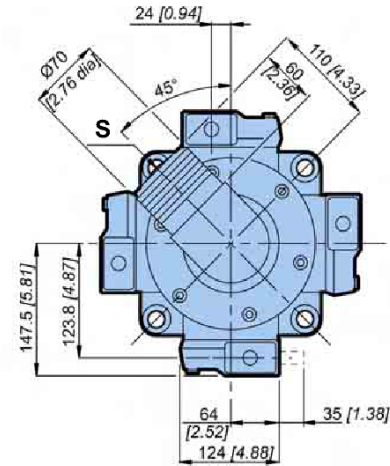
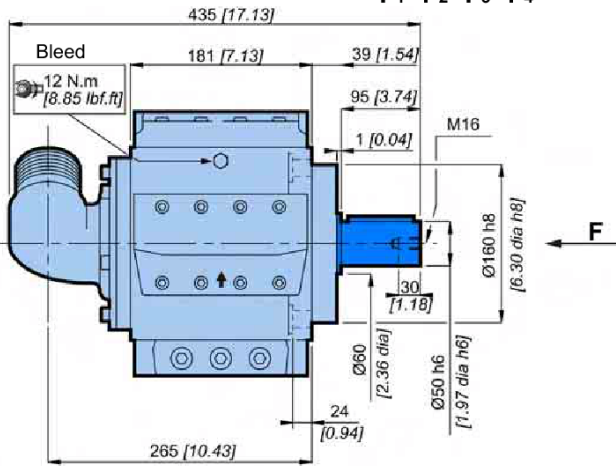
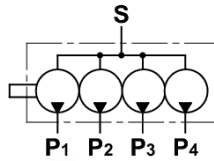


Convert the final result to obtain the power in HP.

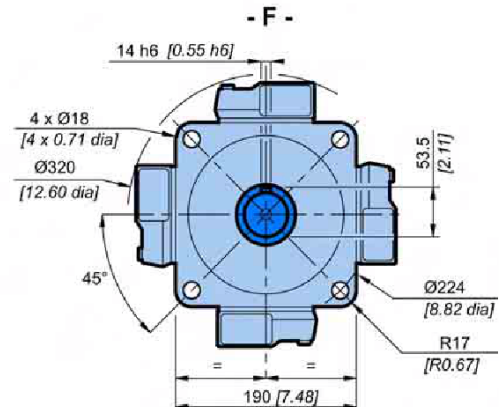
PUMP WITH 4 INDEPENDENT FLOWS



| | |
|----------------|--------------------------------|
| | 4H14 |
| | 68 kg [150 lb] |
| inertia | 0.0055 kg.m² |



If possible, use the standard direction of rotation: clockwise (counterclockwise available as an option).
 The direction of rotation is indicated by an arrow on the cylinder head.
 The position of the discharge ports differs according to the direction of rotation.

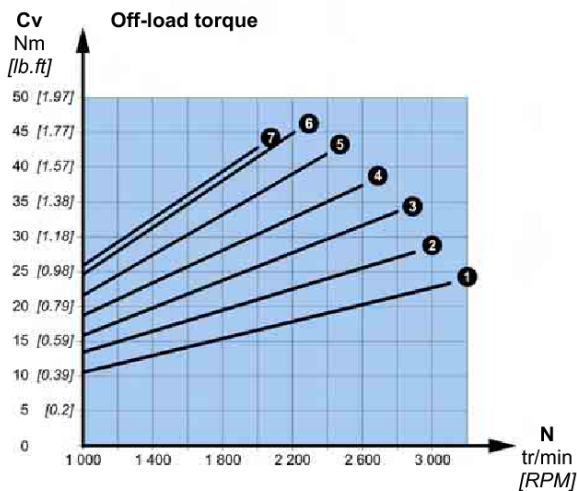
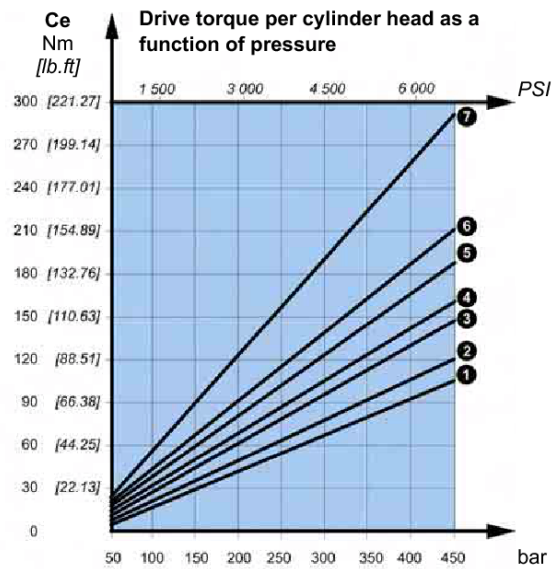
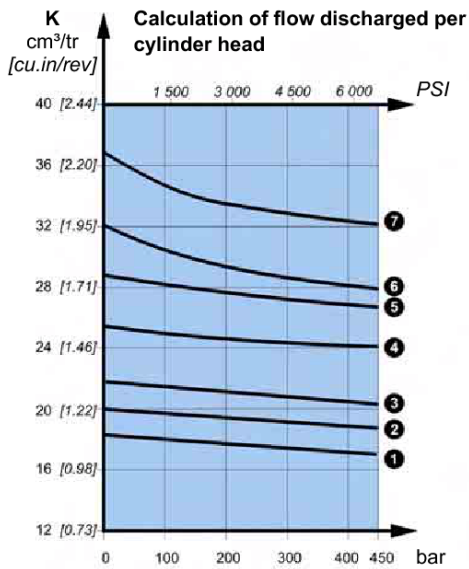


Hydraulic connections

| | Displacement cm ³ /tr [cu.in/rev.] | Old standards | Standards | Hydraulic connections |
|-------------|--|---------------|------------|-----------------------|
| 4H14 | 1 4 x 17.5 [4 x 1.07] | BSPP | ISO 1179-1 | Ø21 [1/2" dia.] |
| | 2 4 x 20 [4 x 1.22] | | | |
| | 3 4 x 22 [4 x 1.34] | | | |
| | 4 4 x 25 [4 x 1.52] | BSPP | ISO 1179-1 | Ø27 [3/4" dia.] |
| | 5 4 x 28.5 [4 x 1.74] | | | |
| | 6 4 x 32 [4 x 1.95] | | | |
| | 7 4 x 37 [4 x 2.26] | | | |

Characteristics

| C | Max.speed tr/min [RPM] | | Flow l/min [GPM] | | Max. pressure bar [PSI] | | Max.power kW [HP] | | |
|------|---------------------------|-------|---------------------|-----------------------|----------------------------|----------------|----------------------|--------------|--------------|
| | Cont. | int. | Cont. | int. | Cont. | int. | Cont. | int. | |
| 4H14 | 1 | 2 700 | 3 100 | 4 x 47 [4 x 12.42] | 4 x 54 [4 x 14.27] | 350 [5 076] | 450 [6 527] | 110 [148] | 163 [219] |
| | 2 | 2 500 | 2 900 | 4 x 50 [4 x 13.74] | 4 x 58 [4 x 15.32] | | | 117 [157] | 174 [234] |
| | 3 | 2 400 | 2 800 | 4 x 53 [4 x 14.53] | 4 x 62 [4 x 16.38] | | | 123 [165] | 185 [249] |
| | 4 | 2 300 | 2 600 | 4 x 57 [4 x 15.06] | 4 x 65 [4 x 17.17] | | | 134 [180] | 195 [262] |
| | 5 | 2 100 | 2 400 | 4 x 60 [4 x 15.85] | 4 x 68 [4 x 17.96] | | | 140 [188] | 205 [276] |
| | 6 | 1 900 | 2 200 | 4 x 61 [4 x 16.11] | 4 x 70 [4 x 18.49] | | | 142 [191] | 211 [284] |
| | 7 | 1 800 | 2 000 | 4 x 66 [4 x 17.44] | 4 x 74 [4 x 18.49] | | | 154 [207] | 222 [298] |



Absorbed power

- P = Absorbed power (kW)
- Cv = Off-load torque (Nm)
- Ce = Drive torque per body (Nm)
- n = number of bodies
- N = Speed of rotation (RPM)

$$P = \frac{[Cv + (Ce \times n)] \times N}{954}$$

Flow

- K = Effective displacement taking into account the compressibility of oil and the volumetric efficiency (cm³/rev)
- N = Speed of rotation (RPM)
- Q = Flow per body (l/min)

$$Q = \frac{K \times N}{1000}$$



Convert the final result to obtain the power in HP.

PUMP WITH 4 INDEPENDENT FLOWS

B

1 2 3 4 5 6

P L 4 H 1 8

T

1 2 3

F O

C

1 2 3

S

F

1 2 3

4 7

S

1 2 3 4 5

0 0 0 0 0

4H18

140 kg [309 lb]

inertia 0.035 kg.m²

P₁ P₂ P₃ P₄

550 [21.65]
Bleed
12 N.m [8.85 lbf.ft]
233 [9.17]
39 [1.54]
120 [4.72]
3 [0.12]
M16
30 [1.18]
Ø224 h8
Ø70 [2.76 dia]
28 [1.10]
Ø65 h6 [2.56 dia h6]
335 [13.19]

33.5 [1.32]
Ø80 [3.15 dia]
45°
150 [5.91]
80 [3.15]
205 [8.07]
174 [6.86]
81.5 [3.21]
156 [6.14]
50 [1.97]

P₂
P₃ P₁ P₄
R L

- F -
18 h6 [0.71 h6]
4 x Ø22 [4 x 0.87 dia]
Ø440 [17.32 dia]
45°
69 [2.72]
Ø280 [11.02 dia]
R25 [R0.98]
250 [9.84]

If possible, use the standard direction of rotation: clockwise (counterclockwise available as an option).
The direction of rotation is indicated by an arrow on the cylinder head.
The position of the discharge ports differs according to the direction of rotation.

Hydraulic connections

B

1 2 3 4 5 6

P L 4 H 1 8

T

1 2 3

F O

C

1 2 3

S

F

1 2 3

4 7

S

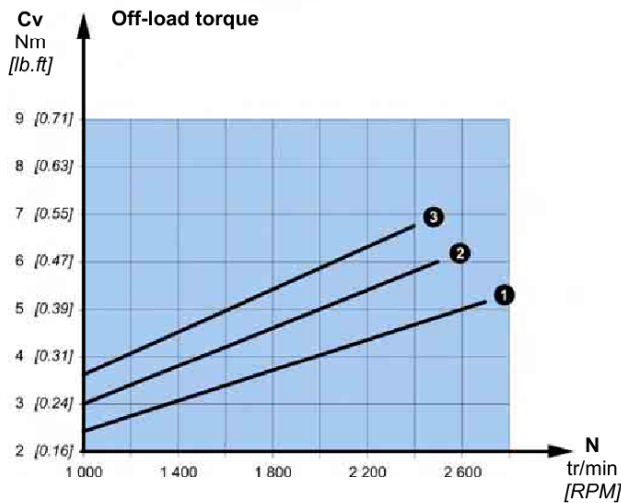
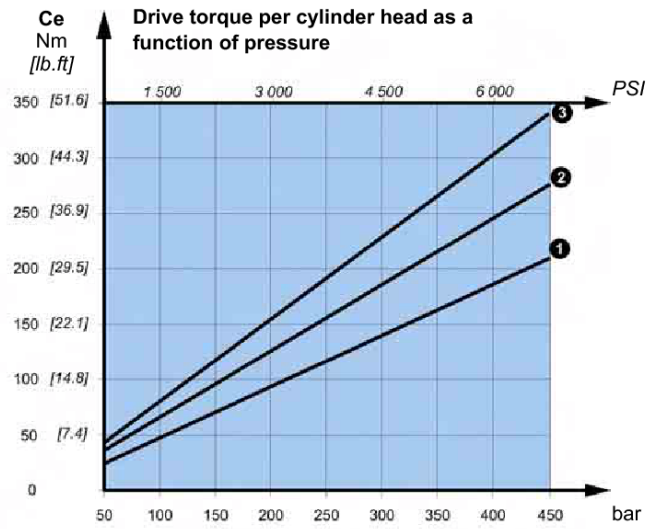
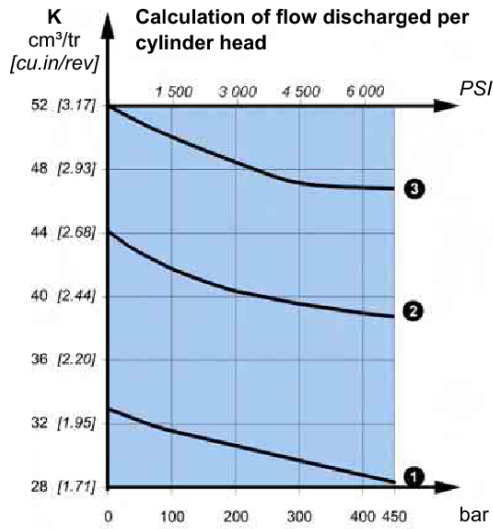
1 2 3 4 5

0 0 0 0 0

| | | Displacement cm ³ /tr [cu.in/rev.] | Old standards | Standards | Hydraulic connections |
|---|---|--|---------------|------------|-----------------------|
| 1 | 1 | 4 x 33 [4 x 2.01] | ISO 6162 | ISO 6162 | SAE ISO 6000 PSI 3/4" |
| | 2 | 4 x 44 [4 x 2.68] | | | |
| | 3 | 4 x 52 [4 x 3.17] | | | |
| 3 | 1 | 4 x 33 [4 x 2.01] | BSPP | ISO 1179-1 | Ø27 [3/4" dia.] |
| | 2 | 4 x 44 [4 x 2.68] | | | |
| | 3 | 4 x 52 [4 x 3.17] | | | |

Characteristics

| | Max. speed tr/min [RPM] | | Flow l/min [GPM] | | Max. pressure bar [PSI] | | Max. power kW [HP] | | |
|------|----------------------------|-------|---------------------|------------------------|----------------------------|----------------|-----------------------|--------------|--------------|
| | Cont. | int. | Cont. | int. | Cont. | int. | Cont. | int. | |
| 4H18 | 1 | 2 300 | 2 500 | 4 x 74 [4 x 19.55] | 4 x 82 [4 x 21.66] | 300 [4 351] | 450 [6 527] | 152 [204] | 246 [331] |
| | 2 | 2 300 | 2 500 | 4 x 101 [4 x 26.68] | 4 x 110 [4 x 29.06] | | | 210 [282] | 330 [444] |
| | 3 | 2 200 | 2 400 | 4 x 114 [4 x 30.12] | 4 x 125 [4 x 33.02] | | | 237 [319] | 376 [506] |



Absorbed power

- P = Absorbed power (kW)
- Cv = Off-load torque (Nm)
- Ce = Drive torque per body (Nm)
- n = number of bodies
- N = Speed of rotation (RPM)

$$P = \frac{[Cv + (Ce \times n)] \times N}{954}$$

Flow

- K = Effective displacement taking into account the compressibility of oil and the volumetric efficiency (cm³/rev)
- N = Speed of rotation (RPM)
- Q = Flow per body (l/min)

$$Q = \frac{K \times N}{1000}$$



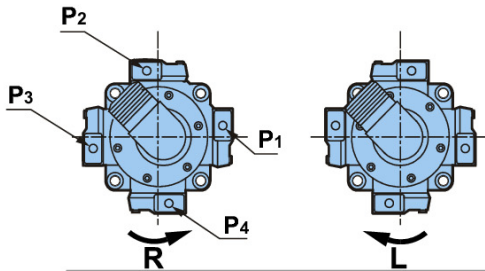
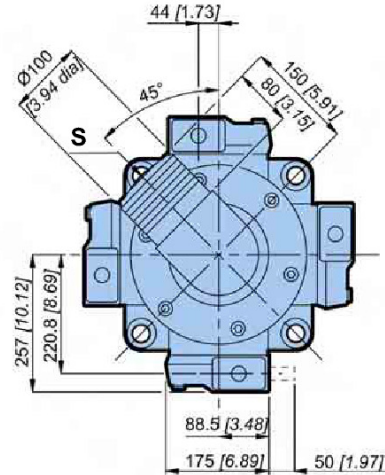
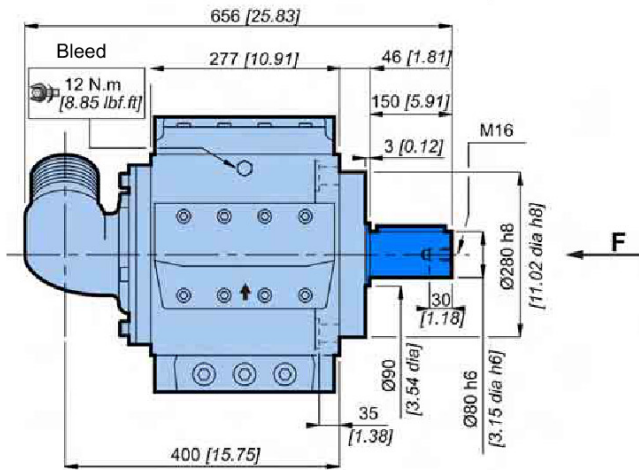
Convert the final result to obtain the power in HP.

PUMP WITH 4 INDEPENDENT FLOWS

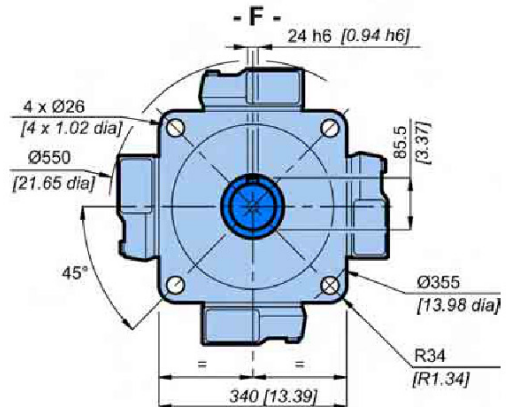
| | | | | | | | | | | | | | | | | | | | |
|---|---|---|---|---|---|---|---|---|---|---|---|---|---|---|---|---|---|---|---|
| B | | | | | | T | | | C | | | F | | | S | | | | |
| 1 | 2 | 3 | 4 | 5 | 6 | 1 | 2 | 3 | 1 | 2 | 3 | 1 | 2 | 3 | 1 | 2 | 3 | 4 | 5 |
| P | L | 4 | H | 2 | 0 | F | O | | | | | 4 | 7 | | 0 | 0 | 0 | 0 | 0 |

| | |
|---------|-------------------------|
| | 4H20 |
| | 250 kg [551 lb] |
| inertia | 0.105 kg.m ² |

P₁ P₂ P₃ P₄



If possible, use the standard direction of rotation: clockwise (counterclockwise available as an option). The direction of rotation is indicated by an arrow on the cylinder head. The position of the discharge ports differs according to the direction of rotation.



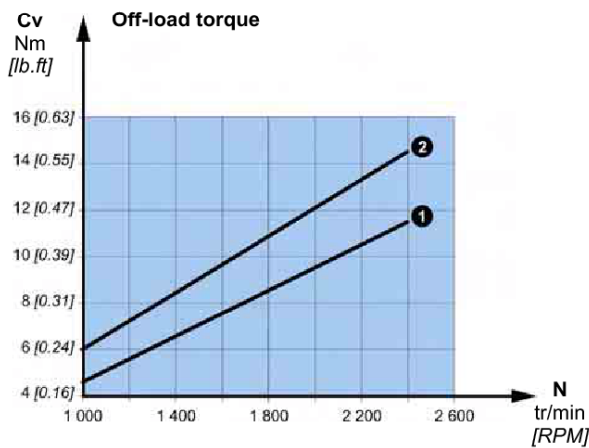
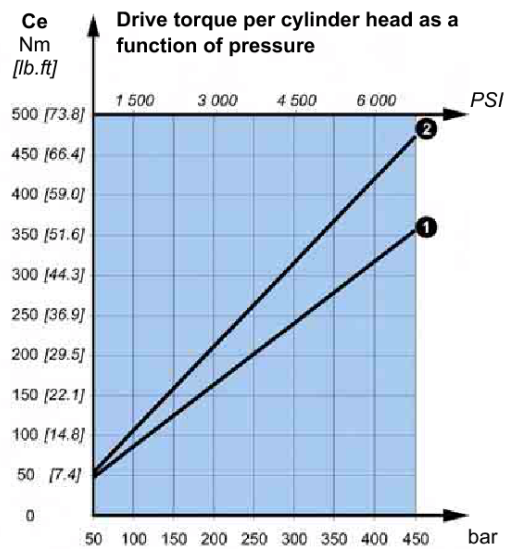
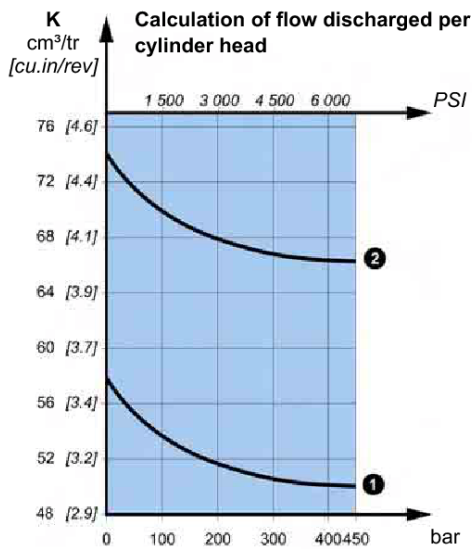
Hydraulic connections

| | | | | | | | | | | | | | | | | | | | |
|---|---|---|---|---|---|---|---|---|---|---|---|---|---|---|---|---|---|---|---|
| B | | | | | | T | | | C | | | F | | | S | | | | |
| 1 | 2 | 3 | 4 | 5 | 6 | 1 | 2 | 3 | 1 | 2 | 3 | 1 | 2 | 3 | 1 | 2 | 3 | 4 | 5 |
| P | L | 4 | H | 2 | 0 | F | O | | | | | 4 | 7 | | 0 | 0 | 0 | 0 | 0 |

| | Displacement | Old standards | Standards | Hydraulic connections |
|---|----------------------------------|---------------|------------|-----------------------|
| | cm ³ /tr [cu.in/rev.] | | | |
| 1 | ① 4 x 58 [4 x 3.54] | ISO 6162 | ISO 6162 | SAE ISO 6000 PSI 1" |
| | ② 4 x 74 [4 x 4.51] | | | |
| 3 | ① 4 x 58 [4 x 3.54] | BSPP | ISO 1179-1 | Ø34 [1" dia.] |
| | ② 4 x 74 [4 x 4.51] | | | |

Characteristics

| | Max. speed tr/min [RPM] | | Flow l/min [GPM] | | Max. pressure bar [PSI] | | Max. power kW [HP] | | |
|------|----------------------------|-------|---------------------|------------------------|----------------------------|----------------|-----------------------|--------------|--------------|
| | Cont. | int. | Cont. | int. | Cont. | int. | Cont. | int. | |
| 4H20 | 1 | 2 200 | 2 400 | 4 x 128 [4 x 33.81] | 4 x 139 [4 x 36.72] | 350 [5 076] | 450 [6 527] | 299 [402] | 417 [561] |
| | 2 | 2 100 | 2 300 | 4 x 155 [4 x 40.95] | 4 x 170 [4 x 44.91] | | | 362 [487] | 510 [686] |



Absorbed power

- P = Absorbed power (kW)
- Cv = Off-load torque (Nm)
- Ce = Drive torque per body (Nm)
- n = number of bodies
- N = Speed of rotation (RPM)

$$P = \frac{[Cv + (Ce \times n)] \times N}{954}$$

Flow

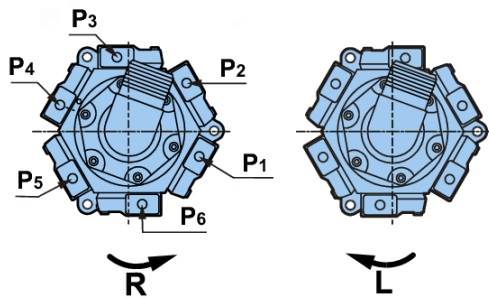
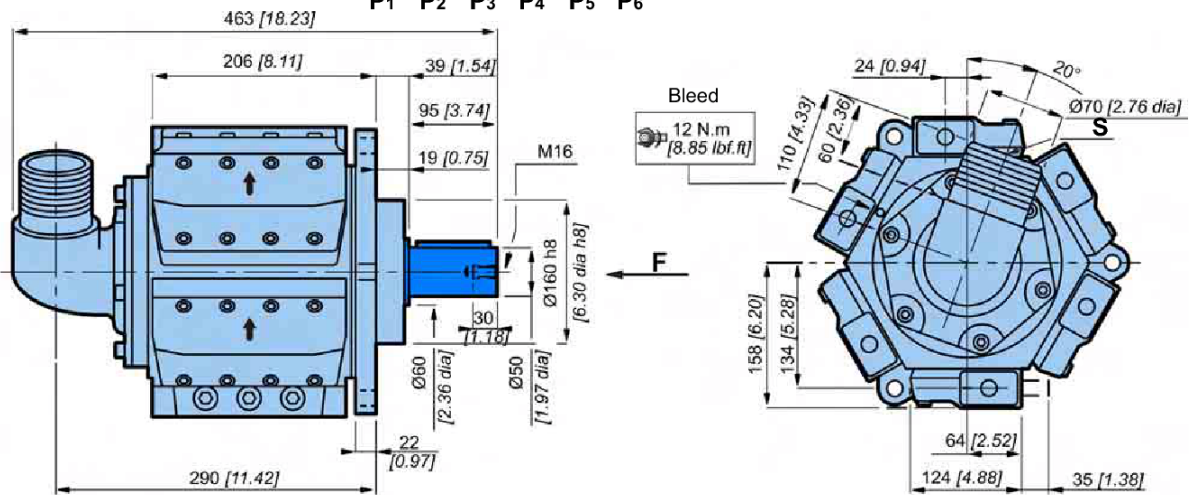
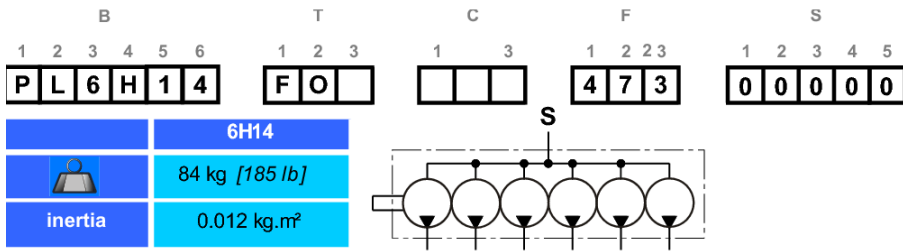
- K = Effective displacement taking into account the compressibility of oil and the volumetric efficiency (cm³/rev)
- N = Speed of rotation (RPM)
- Q = Flow per body (l/min)

$$Q = \frac{K \times N}{1000}$$

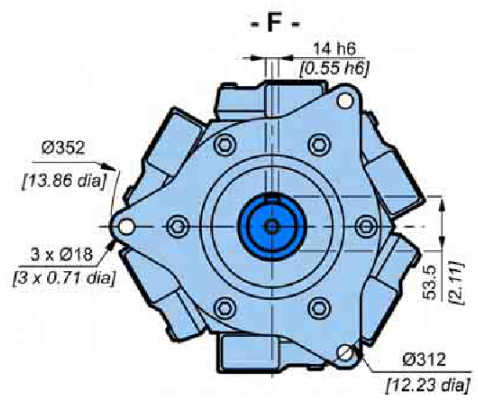


Convert the final result to obtain the power in HP.

PUMP WITH 6 INDEPENDENT FLOWS



If possible, use the standard direction of rotation: clockwise (counterclockwise available as an option).
 The direction of rotation is indicated by an arrow on the cylinder head.
 The position of the discharge ports differs according to the direction of rotation.

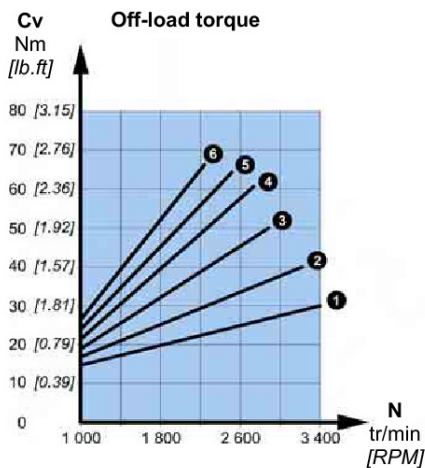
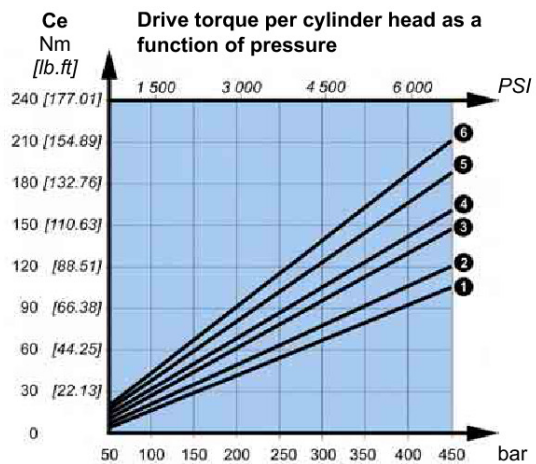
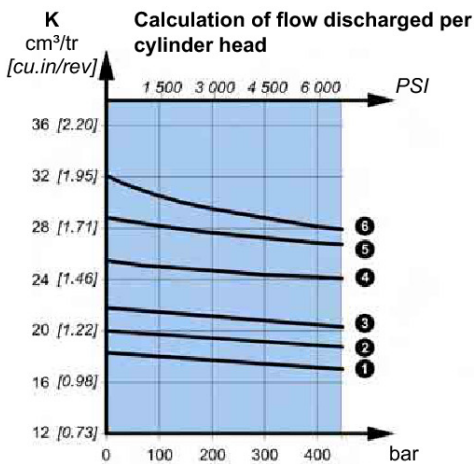


Hydraulic connections

| | Displacement cm ³ /tr [cu.in/rev.] | Old standards | Standards | Hydraulic connections |
|------|--|---------------|------------|-----------------------|
| 6H14 | 1 6 x 17.5 [6 x 1.07] | BSPP | ISO 1179-1 | Ø21 [1/2" dia.] |
| | 2 6 x 20 [6 x 1.22] | | | |
| | 3 6 x 22 [6 x 1.34] | | | |
| | 4 6 x 25 [6 x 1.52] | BSPP | ISO 1179-1 | Ø27 [3/4" dia.] |
| | 5 6 x 28.5 [6 x 1.74] | | | |
| | 6 6 x 32 [6 x 1.95] | | | |

Characteristics

| C | Max. speed tr/min [RPM] | | Flow l/min [GPM] | | Max. pressure bar [PSI] | | Max. power kW [HP] | | |
|------|----------------------------|-------|---------------------|-----------------------|----------------------------|----------------|-----------------------|--------------|--------------|
| | Cont. | int. | Cont. | int. | Cont. | int. | Cont. | int. | |
| 6H14 | 1 | 2 800 | 3 200 | 6 x 49 [6 x 12.94] | 6 x 56 [6 x 14.79] | 350 [5 076] | 450 [6 527] | 171 [230] | 252 [339] |
| | 2 | 2 600 | 3 000 | 6 x 52 [6 x 13.74] | 6 x 60 [6 x 15.85] | | | 182 [245] | 270 [363] |
| | 3 | 2 400 | 2 800 | 6 x 53 [6 x 14.00] | 6 x 62 [6 x 16.38] | | | 185 [249] | 277 [372] |
| | 4 | 2 300 | 2 700 | 6 x 57 [6 x 15.06] | 6 x 67 [6 x 17.70] | | | 201 [270] | 304 [409] |
| | 5 | 2 200 | 2 500 | 6 x 63 [6 x 16.64] | 6 x 71 [6 x 18.76] | | | 219 [294] | 320 [430] |
| | 6 | 2 000 | 2 300 | 6 x 64 [6 x 16.91] | 6 x 74 [6 x 19.55] | | | 224 [301] | 331 [445] |



Absorbed power

- P = Absorbed power (kW)
- Cv = Off-load torque (Nm)
- Ce = Drive torque per body (Nm)
- n = number of bodies
- N = Speed of rotation (RPM)

$$P = \frac{[Cv + (Ce \times n)] \times N}{954}$$

Flow

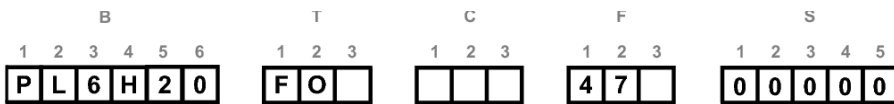
- K = Effective displacement taking into account the compressibility of oil and the volumetric efficiency (cm³/rev)
- N = Speed of rotation (RPM)
- Q = Flow per body (l/min)

$$Q = \frac{K \times N}{1000}$$

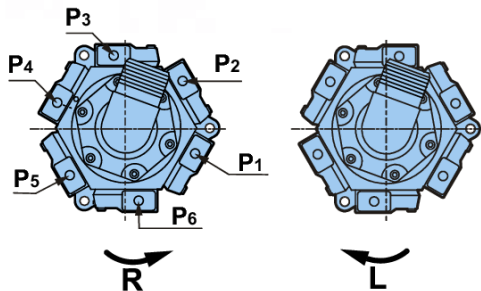
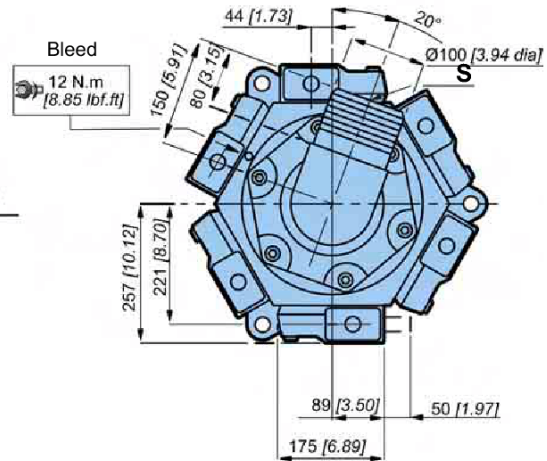
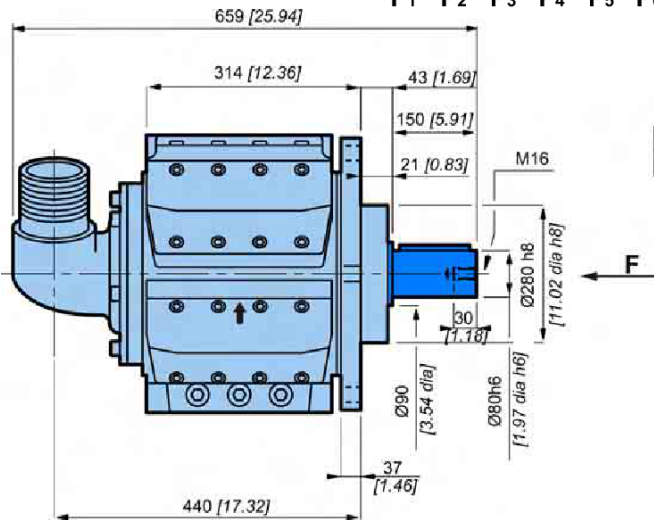
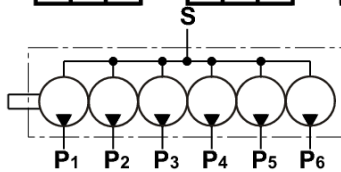


Convert the final result to obtain the power in HP.

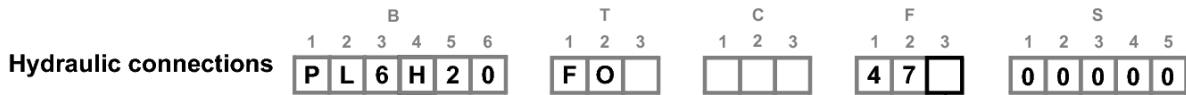
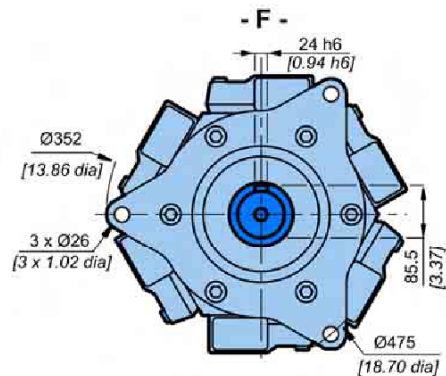
PUMP WITH 6 INDEPENDENT FLOWS



| | |
|----------------|-------------------------------|
| | 6H20 |
| | 360 kg [794 lb] |
| inertia | 0.105 kg.m² |



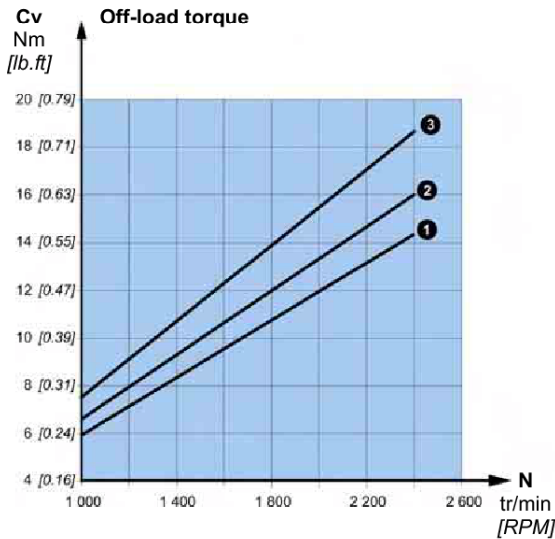
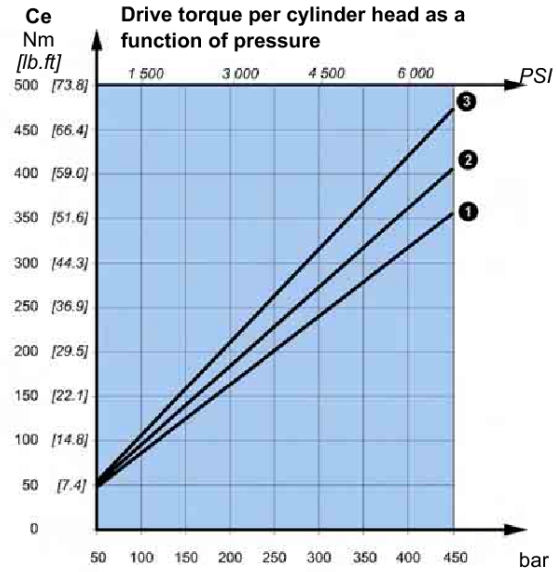
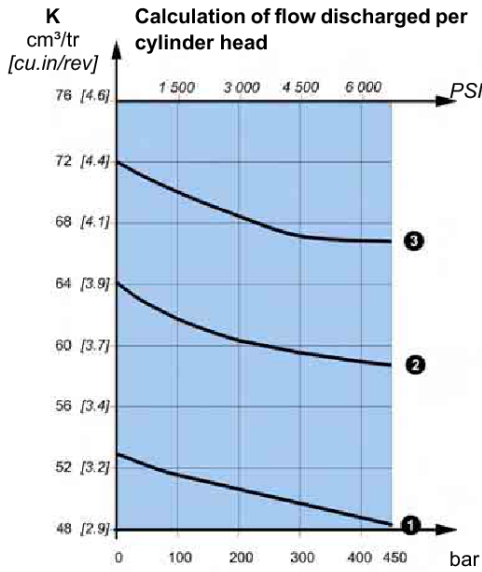
If possible, use the standard direction of rotation: clockwise (counterclockwise available as an option).
 The direction of rotation is indicated by an arrow on the cylinder head.
 The position of the discharge ports differs according to the direction of rotation.



| | Displacement | Old standards | Standards | Hydraulic connections |
|---|---------------------|---------------|------------|-----------------------|
| 1 | 1 6 x 58 [6 x 3.54] | ISO 6162 | ISO 6162 | SAE ISO 6000 PSI 1" |
| | 2 6 x 65 [6 x 3.96] | | | |
| | 3 6 x 74 [6 x 4.51] | | | |
| 3 | 1 6 x 58 [6 x 3.54] | BSPP | ISO 1179-1 | Ø34 [1" dia.] |
| | 2 6 x 65 [6 x 3.96] | | | |
| | 3 6 x 74 [6 x 4.51] | | | |

Characteristics

| | | Max.speed tr/min [RPM] | | Flow l/min [GPM] | | Max. pressure bar [PSI] | | Max.power kW [HP] | |
|------|---|---------------------------|-------|------------------------|------------------------|----------------------------|-------------|----------------------|-------|
| | | Cont. | int. | Cont. | int. | Cont. | int. | Cont. | int. |
| 6H20 | 1 | 2 200 | 2 400 | 6 x 128 [6 x 33.81] | 6 x 139 [6 x 36.72] | 350 [5 076] | 450 [6 527] | 449 | 626 |
| | 2 | 2 000 | 2 200 | 6 x 130 [6 x 34.34] | 6 x 143 [6 x 37.78] | | | 455 | 643 |
| | 3 | 1 800 | 2 000 | 6 x 133 [6 x 35.13] | 6 x 148 [6 x 39.10] | | | 465 | 666 |
| | | | | | | | | [604] | [842] |
| | | | | | | | | [612] | [864] |
| | | | | | | | | [625] | [895] |



Absorbed power

- P = Absorbed power (kW)
- Cv = Off-load torque (Nm)
- Ce = Drive torque per body (Nm)
- n = number of bodies
- N = Speed of rotation (RPM)

$$P = \frac{[Cv + (Ce \times n)] \times N}{954}$$

Flow

- K = Effective displacement taking into account the compressibility of oil and the volumetric efficiency (cm³/rev)
- N = Speed of rotation (RPM)
- Q = Flow per body (l/min)

$$Q = \frac{K \times N}{1000}$$



Convert the final result to obtain the power in HP.

INSTALLATION

Warnings

Before Installation



Take all necessary safety precautions (people and machines) and comply with safety regulations in effect.



Confirm that mobile equipment is immobilized.



Confirm that the hydraulic systems' energy generator (motor) is stopped and electric power is disconnected.



Lay out a safety perimeter.



Do not perform work on a hydraulic system that is hot or under pressure (discharge the accumulators).



Oil that is hot or under pressure can cause serious burns and infection. Consult a physician in case of accident.

During Installation

Install the hydraulic system according to the specifications and processes appearing in this document.



Support the components using a lifting device whose capacity is adequate for attaching the components to the chassis.



During handling protect all sensitive surfaces from shocks (centerings, bolts, connectors, plugs, etc.).



Confirm that the components' centering and support surfaces on the chassis are clean (free of paint).



Never heat hydraulic fluid which can ignite at high temperature. Some solvents are also inflammable.



Do not smoke while working on the system.

After Installation



The immediate vicinity of the machine should be declared a security zone. Observe all regulations regarding personnel safety.

OVERVIEW

Component Identification



- A :** Sales code:
Ex. PL3H15-FOR-250-472-00000
- B :** Code (Item Code):
Ex. L15435-63
- C :**
Series (Manufacturing number); **D :** Num (Chronological sequence number)
- E :** Country of Manufacture.
- F :** Manufacturing location.



The item code and sequence number must appear on each spare parts order.

Delivery



In boxes.



Without oil.



Painted with primer.

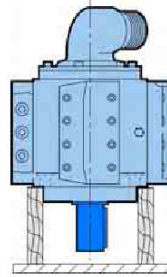


With protected openings (Plastic/metallic plugs or plates with joints for the flanges, sealing them).

With protected attachment surfaces (these surfaces are never painted), they are covered with a thin film of varnish to limit any oxidation.

Storage

If this is not possible, follow the recommendations below in order to avoid damage to sensitive parts.



No contact with the shaft.

Storage Interval

Depending on the interval and storage conditions, it is necessary to protect the internal components of the hydraulic parts. These operations must be performed before storing components or before stopping use of the machine.

| Climate | Storage interval (months) | | | |
|-----------|---------------------------|---|----|----|
| | 3 | 6 | 12 | 24 |
| Temperate | A | B | C | C |
| Tropical | B | C | D | D |
| | C | D | D | D |

Legend

- A** - No specific precaution; only check the proper mounting of the plugs and covers.
- B** - Fill up with hydraulic fluid
- C** - Rinse with storage fluid
- D** - Fill up with storage fluid.



Open air storage areas must not be used. The pumps must not be placed directly on the ground.

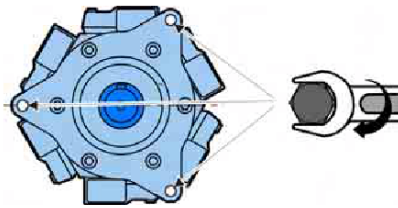
Paint

- Leave the bearing surfaces unpainted.
- Use paints compatible with the existing base coat.
- The Poclain Hydraulics components (like any mechanical component) can rust. They must be effectively and regularly protected according to the environment where they are used. During installation of the motors, any trace of rust must be eliminated before painting the machine.

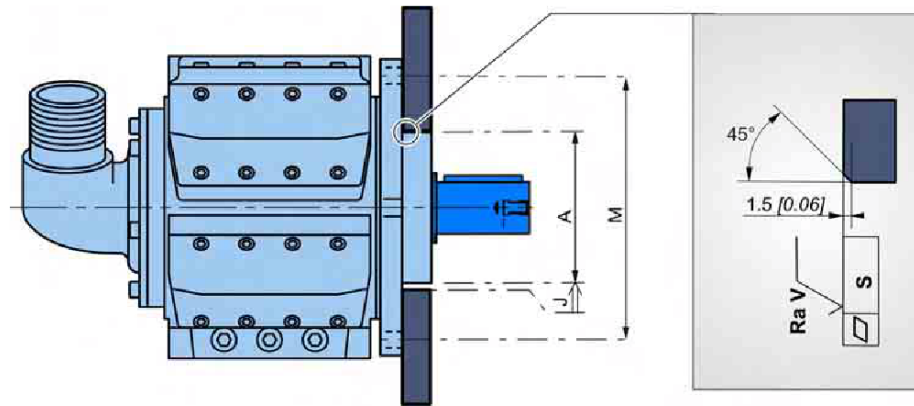
Primer Specifications

| Number | Color | Brilliance | Saline mist | Adhesion | Hardness |
|----------|-------|------------|-------------|----------|------------|
| | | ISO 2813 | ISO 9227 | ISO 2409 | ASTM D3363 |
| RAL 7016 | Grey | 5 - 10% | > 400 h | 0 | HB |






Attachment to the Chassis



The motor support surfaces must be clean (free of paint, grease, oxidation, etc.) in order for it to be properly mounted on the vehicle.



Unless absolutely flat, the pump chassis fixations may break.

|  | A mm [in] | M mm [in] | J min. | J max. | S | Ra V |  |  | CI 8.8 | CI 10.9 | CI 12.9 |
|---|-------------------|-------------------|-----------|-----------|---------|------------|--|---|-----------|-------------|-------------|
| 2H14 | Ø 140 [5.51 dia] | Ø 180 [7.09 dia] | 0.2 | 0.3 | 0.2 | 12.5 µm | 2 x M16 |  | 210 [155] | 295 [218] | 355 [262] |
| 3H14 | Ø 140 [5.51 dia] | Ø 180 [7.09 dia] | | | | | | | 86 [63] | 120 [89] | 145 [107] |
| 4H10 | Ø 140 [5.51 dia] | Ø 180 [7.09 dia] | [0.008] | [0.012] | [0.008] | [0.492µin] | 4 x M12 |  | 86 [63] | 120 [89] | 145 [107] |
| 4H14 | Ø 160 [6.30 dia] | Ø 224 [8.82 dia] | | | | | | | 210 [155] | 295 [218] | 355 [262] |
| 4H18 | Ø 224 [8.82 dia] | Ø 280 [11.02 dia] | | | | | | | 410 [302] | 580 [428] | 690 [509] |
| 4H20 | Ø 280 [11.02 dia] | Ø 355 [13.98 dia] | | | | | | | 710 [524] | 1 000 [738] | 1 200 [885] |
| 6H14 | Ø 160 [6.30 dia] | Ø 312 [12.28 dia] | | | | | | | 210 [155] | 295 [218] | 355 [262] |
| 6H20 | Ø 280 [11.02 dia] | Ø 475 [18.70 dia] | | | | | | | 710 [524] | 1 000 [738] | 1 200 [885] |

CIRCUITS

Checking Connections



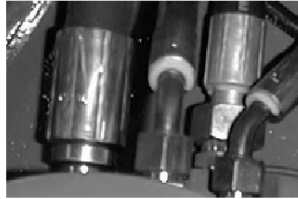
Piping and Connections

The different components of the hydraulic circuit (tank, pumps, distributors, filters, sinks, etc.) are connected together by rigid piping or flexible hoses.

Two types of connections:



Screwed Connections



Clamped



Comply with the connection directions given by the manufacturers for each part: function and marking of the ports, types of connections, diameters, types of lines (flexible or rigid), etc.

Rigid Tubes

For high-pressure pipes, only use unwelded cold-drawn steel pipes.

Take the following precautions for making up the tubes:

- After arranging the length by cutting, cold bending and crimping, the tubes must be carefully deburred, rinsed with oil and blown before connection.
- The tubes having been welded or bent also have to be scraped (solution based on sulfuric acid) then rinsed with oil and neutralized (solution based on sodium hydroxide).
- The connections, clamps, threaded plugs, etc. must be deburred and cleaned before assembly.
- If assembly is not done immediately, seal the ports with plugs.



The tubes must not be subject to bending forces while the clamps that attach them are being tightened.



Flexible Tubes

Only use flexible tubes with crimped ends.

Avoid contacts likely to break down the flexible tubes.

As needed protect them with armor.



Avoid kinks..



Observe the minimum radius of curvature..



Connections

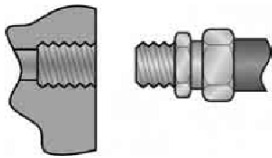
Sizing

The drainage of the hydraulic motors' casings must be sized adequately to limit the casing pressure in conformance with the specification's of the manufacturers of these components.

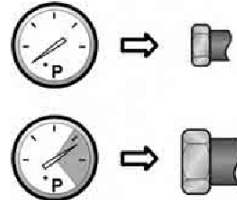


The tube's interior diameter must be greater than or equal to the diameter of the connection openings of the components.

Connection



Check the compatibility of the types of connections between the tubes and the motor's ports. If they are not compatible, use intermediate connections that allow bridging this incompatibility.

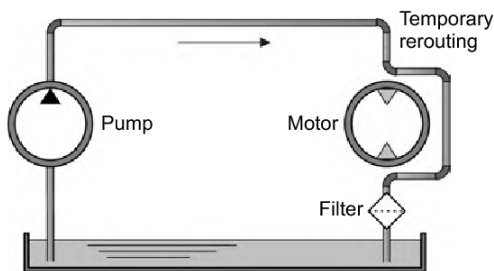


Confirm that the connection class and operating pressure are fully adequate.

Rinsing the Circuit

Before putting the installation to use, perform a complete rinsing of the hydraulic circuit to remove all the impurities that could accumulate while connecting components.

The filters must be equipped with a system that allows checking the filters state (clogging indicator).



The circuit's return filter can be used to collect these impurities (change the cartridge **SEVERAL** times if necessary) or temporarily interpose before the tank a filter without 10µm absolute bypass appropriate for the return circuit's flow-rate.

- In any case, also place a temporary bypass circuit near the ports of each hydraulic motor to isolate the circuit.
- Change the filter cartridge (open circuit) or temporarily remove the filter before putting into use.

Checking after Rinsing



Check the hydraulic fluid level in the tank and potentially top it off with a filling group.

OILS

Fluid Selection

**General Recommendations**

Poclair hydraulics recommends the use of hydraulic fluids defined by the ISO 12922 and ISO 6743-4 standards. For temperate climates, the following types are recommended.

- HM 46 or HM 48 for fixed installations.
- HV 46 or HV 68 for mobile installations.
- HEES 46 for mobile installations.

These specifications correspond to category 91H of the CETOP standard, parts 1, 2 and 3 of the DIN 51524 standard, and grades VG32, VG 46 and VG68 of the ISO 6743-4 standards.



It is also possible to use ATF, HD, HFB, HFC or HFD type hydraulic fluid upon Poclair Hydraulics specific approval of the components' operating conditions.



Standardized designations for the fluids

- **HM** : Mineral fluids having specific antioxidant, anticorrosion and antiwear properties (HLP equivalent to DIN 51524 parts 1 and 2).
- **HV** : HM mineral fluids providing improved temperature and viscosity properties (DIN 51524 part 3).
- **HEES** : Biodegradable fluids based on organic esters.



Class 32 (ISO VG 32) : Viscosity of 32 cSt at 40°C.

Class 46 (ISO VG 46) : Viscosity of 46 cSt at 40°C.

Class 68 (ISO VG 68) : Viscosity of 68 cSt at 40°C.



During operation, the oil temperature must remain between 50° and 60°C and under no circumstances should it happen to go over 80°C. The viscosity must always be over 9 cSt, otherwise check the cooling circuit.

Extract of the NF ISO 11 158 Standard

| Tests | Test Methods or Standards | HM Category | | | | | Units |
|---|---|-----------------|---------------|---------------|---------------|---------------|------------------------|
| | | Viscosity Grade | | | | | |
| | | 22 | 32 | 46 | 68 | 100 | |
| Kinematic viscosity at 40° | ISO 3104 | 19.8 24.2 | 28.8 35.2 | 41.4 50.6 | 61.2 74.8 | 90 110 | mm ² / s |
| Minimum viscosity index (a) | ISO 2909 | - | - | - | - | - | 1 |
| Acidity index, maximum (b) | ISO 6618 | (c) | (c) | (c) | (c) | (c) | mg KOH / g |
| Water context, maximum | ASTM D 1744 DIN 51777-1 DIN 51777-2 (d) | 500 | 500 | 500 | 500 | 500 | mg / kg |
| Flash point Cleveland in open-cup, min. | ISO 2592 | 140 | 160 | 180 | 180 | 180 | °C |
| Foaming at 24°C, max. 93°C, max. | ISO 6247 | 150/0 75/0 | 150/0 75/0 | 150/0 75/0 | 150/0 75/0 | 150/0 75/0 | ml |
| Deaeration at 50°C, maximum | ISO 9120 | 5 | 5 | 10 | 13 | 21 | min |
| Copper blade corrosion at 100°C, 3 h maximum | ISO 2160 | 2 | 2 | 2 | 2 | 2 | Grading |
| Anti-rust power, method A | ISO 7120 | Pass | Pass | Pass | Pass | Pass | |
| Anti-wear property, FZG A/8, 3/90, minimum | DIN 51354-2 | (e) | 10 | 10 | 10 | 10 | Deterioration Level |
| Flow point, maximum | ISO 3016 | -18 | -15 | -12 | -12 | -12 | °C |
| Aptitude to separate from water: Time needed to obtain 3 ml of emulsion at 54°C, max. | ISO 6614 | 30 | 30 | 30 | 30 | | min |

| Tests | Test Methods or Standards | HV Category | | | | | Units |
|---|---|-----------------|---------------|---------------|---------------|---------------|------------------------|
| | | Viscosity Grade | | | | | |
| | | 22 | 32 | 46 | 68 | 100 | |
| Kinematic viscosity at 40° | ISO 3104 | 19.8 24.2 | 28.8 35.2 | 41.4 50.6 | 61.2 74.8 | 90 110 | mm ² / s |
| Minimum viscosity index (a) | ISO 2909 | 130 | 130 | 130 | 130 | 130 | 1 |
| Acidity index, maximum (b) | ISO 6618 | (c) | (c) | (c) | (c) | (c) | mg KOH / g |
| Water context, maximum | ASTM D 1744 DIN 51777-1 DIN 51777-2 (d) | 500 | 500 | 500 | 500 | 500 | mg / kg |
| Flash point Cleveland in open-cup, min. | ISO 2592 | 140 | 160 | 180 | 180 | 180 | °C |
| Foaming at 24°C, max. 93°C, max. | ISO 6247 | 150/0 75/0 | 150/0 75/0 | 150/0 75/0 | 150/0 75/0 | 150/0 75/0 | ml |
| Deaeration at 50°C, maximum | ISO 9120 | 7 | 7 | 12 | 12 | 20 | |
| Copper blade corrosion at 100°C, 3 h maximum | ISO 2160 | 2 | 2 | 2 | 2 | 2 | Grading |
| Anti-rust power, method A | ISO 7120 | Pass | Pass | Pass | Pass | Pass | |
| Anti-wear property, FZG A/8, 3/90, minimum | DIN 51354-2 | (e) | 10 | 10 | 10 | 10 | Deterioration Level |
| Flow point, maximum | ISO 3016 | -42 | -36 | -36 | -30 | -21 | °C |
| Aptitude to separate from water: Time needed to obtain 3 ml of emulsion at 54°C, max. | ISO 6614 | (c) | (c) | (c) | (c) | (c) | |

- (a) These limits should only be taken into consideration for fluids made from hydrocracked or hydro-isomerized mineral oils.
 (b) Both base fluids and additives contribute to the initial acidity index.
 (c) The behavior criteria or the values of properties must be the subject of negotiation between the supplier and the end user.
 (d) The DIN 51777-2 standard applies in cases where interference caused by certain chemical compounds must be avoided. Free bases, oxidizing or reducing agents, mercaptans, some nitrogenous products or other products that react with iodine interfere.
 (e) Not applicable to ISO 22 viscosity grade.

Extract of the ISO 15 380 Standard

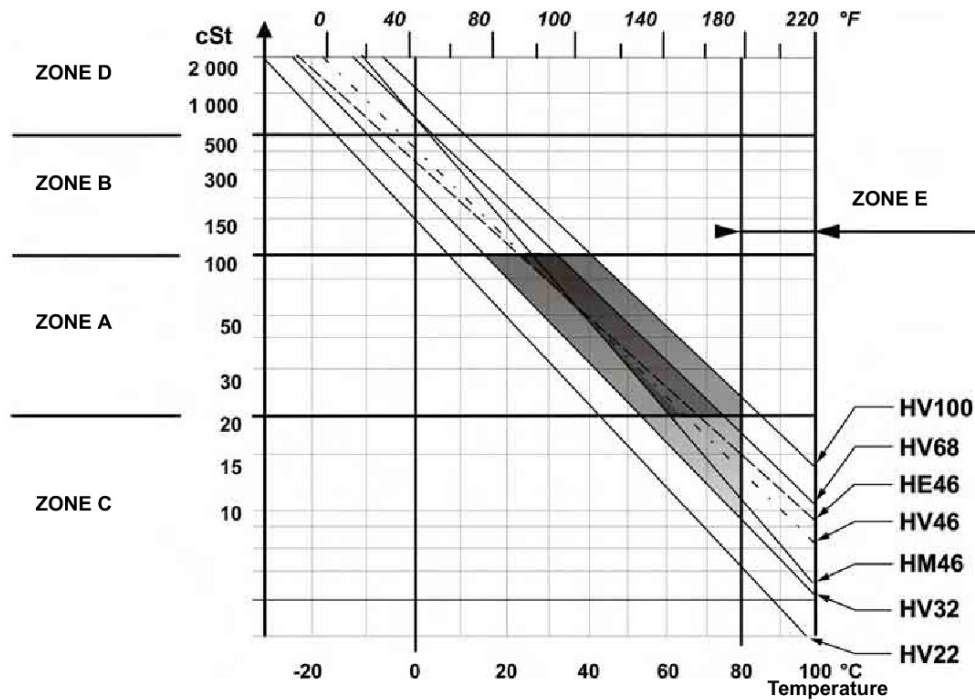
| Tests | Test Methods or Standards | HM Category | | | | Units |
|---|---|-----------------|---------------|---------------|---------------|------------------------|
| | | Viscosity Grade | | | | |
| | | 22 | 32 | 46 | 68 | |
| Kinematic viscosity at 40° | ISO 3104 | 19.8 24.2 | 28.8 35.2 | 41.4 50.6 | 61.2 74.8 | mm ² / s |
| Minimum viscosity index (a) | ISO 2909 | - | - | - | - | |
| Acidity index, maximum (b) | ISO 6618 | (c) | (c) | (c) | (c) | mg KOH / g |
| Water context, maximum | ASTM D 1744 DIN 51777-1 DIN 51777-2 (d) | 1000 | 1000 | 1000 | 1000 | mg / kg |
| Flash point Cleveland in open-cup, min. | ISO 2592 | 165 | 175 | 185 | 195 | °C |
| Foaming at 24°C, max. 93°C, max. | ISO 6247 | 150/0 75/0 | 150/0 75/0 | 150/0 75/0 | 150/0 75/0 | ml |
| Deaeration at 50°C, maximum | ISO 9120 | 7 | 7 | 10 | 10 | min |
| Copper blade corrosion at 100°C, 3 h maximum | ISO 2160 | 2 | 2 | 2 | 2 | Grading |
| Anti-rust power, method A | ISO 7120 | Pass | Pass | Pass | Pass | |
| Anti-wear property, FZG A/8, 3/90, minimum | DIN 51354-2 | (e) | 10 | 10 | 10 | Deterioration Level |
| Flow point, maximum | ISO 3016 | -21 | -18 | -15 | -12 | °C |
| Aptitude to separate from water: Time needed to obtain 3 ml of emulsion at 54°C, max. | ISO 6614 | (c) | (c) | (c) | (c) | min |

| Tests | Test Methods or Standards | HV Category | | | | Units |
|---|---|-----------------|---------------|---------------|---------------|------------------------|
| | | Viscosity Grade | | | | |
| | | 22 | 32 | 46 | 68 | |
| Kinematic viscosity at 40° | ISO 3104 | 19.8 24.2 | 28.8 35.2 | 41.4 50.6 | 61.2 74.8 | mm ² / s |
| Minimum viscosity index (a) | ISO 2909 | - | - | - | - | 1 |
| Acidity index, maximum (b) | ISO 6618 | (c) | (c) | (c) | (c) | mg KOH / g |
| Water context, maximum | ASTM D 1744 DIN 51777-1 DIN 51777-2 (d) | 1000 | 1000 | 1000 | 1000 | mg / kg |
| Flash point Cleveland in open-cup, min. | ISO 2592 | 165 | 175 | 185 | 195 | °C |
| Foaming at 24°C, max. 93°C, max. | ISO 6247 | 150/0 75/0 | 150/0 75/0 | 150/0 75/0 | 150/0 75/0 | ml |
| Deaeration at 50°C, maximum | ISO 9120 | 7 | 7 | 10 | 10 | min |
| Copper blade corrosion at 100°C, 3 h maximum | ISO 2160 | 2 | 2 | 2 | 2 | Grading |
| Anti-rust power, method A | ISO 7120 | Pass | Pass | Pass | Pass | |
| Anti-wear property, FZG A/8, 3/90, minimum | DIN 51354-2 | (e) | 10 | 10 | 10 | Deterioration Level |
| Flow point, maximum | ISO 3016 | (c) | (c) | (c) | (c) | °C |
| Aptitude to separate from water: Time needed to obtain 3 ml of emulsion at 54°C, max. | ISO 6614 | (c) | (c) | (c) | (c) | min |

- (a) These limits should only be taken into consideration for fluids made from hydrocracked or hydro-isomerized mineral oils.
 (b) Both base fluids and additives contribute to the initial acidity index.
 (c) The behavior criteria or the values of properties must be the subject of negotiation between the supplier and the end user.
 (d) The DIN 51777-2 standard applies in cases where interference caused by certain chemical compounds must be avoided. Free bases, oxidizing or reducing agents, mercaptans, some nitrogenous products or other products that react with iodine interfere.
 (e) Not applicable to ISO 22 viscosity grade.

Temperature and Viscosity

The best performance is obtained by having the system operate in the regimes shaded gray.



| | |
|---------------|--|
| Zone A | <p>Zone of maximum efficiency.</p> <p>In this zone, temperature variations have a weak effect on the response time, efficiency and life expectancy of the components.</p> <p>Poclair Hydraulics components can operate at all speeds, pressures and powers specified in their technical documentation.</p> |
| Zone B | <p>High speeds can lead to vibrations and drops in mechanical efficiency. The booster pump can cavitate if the intake conditions are too tight but without risk for the system as long as the pump remains boosted.</p> <p>The Poclair Hydraulics components can operate at the pressures specified in their documentation but it is not advisable to use the pumps at full displacement.</p> <p>In a translation circuit, a rapid rise in the pump speed from zone B is allowed, but ordering the translation when the temperature has reached zone A is recommended.</p> |
| Zone C | <p>The efficiency is less and the use of effective antiwear additives is required.</p> <p>The Poclair hydraulics components can temporarily operate at a power under 20 to 50% of that stated in the technical documentation, or during 20% of the operating time at the stated power.</p> |
| Zone D | <p>The stated restrictions for zone B likewise apply to zone D.</p> <p>Further, the pumps must startup at low speed and no displacement. They must not be used in their normal operating conditions as long as the booster pressure has not stabilized and the hydraulic fluid temperature in the reservoir has not come up to zone B.</p> |
| Zone E | <p>The efficiency is reduced and the risk of wear on the pump and hydraulic fluid is increased.</p> <p>The system can operate in zone E at low-pressure and during short periods.</p> <p>The temperature of the hydraulic fluid in the power circuit must not be more than 10°C above the temperature of the hydraulic fluid in the reservoir, and must not be more than 20°C warmer than the hydraulic fluid in the components' cases.</p> |

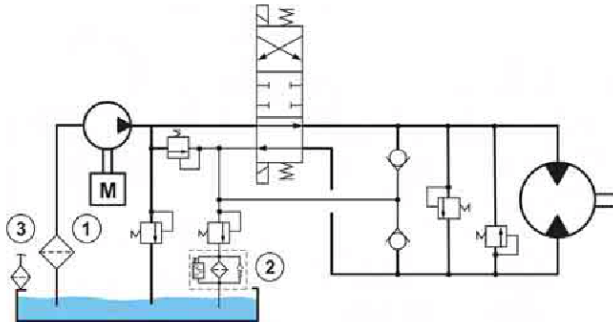
Decontamination and Filtration



The life of hydraulic components is lengthened when the contamination level is low.

Open Circuit

The hydraulic fluid must be maintained at ISO standard 4406 decontamination level 17/15/13 (class 7 from NAS 1638) using a filter.



- 1 - A 120 μm strainer on the intake line.
- 2 - A $\beta_{20} > 100$ filter with a clogging indicator on the return line.
- 3 -



Consult manufacturer's instructions for components (filters, pumps, valves, etc.).



The recommended intake filter size is four-time state of the booster pump.

Water Content

The ISO 12922 standard calls for a water content $\leq 0.05\%$.
 Poclairn Hydraulics components tolerate up to 0.1%.

Checking Water Content



Visual Inspection

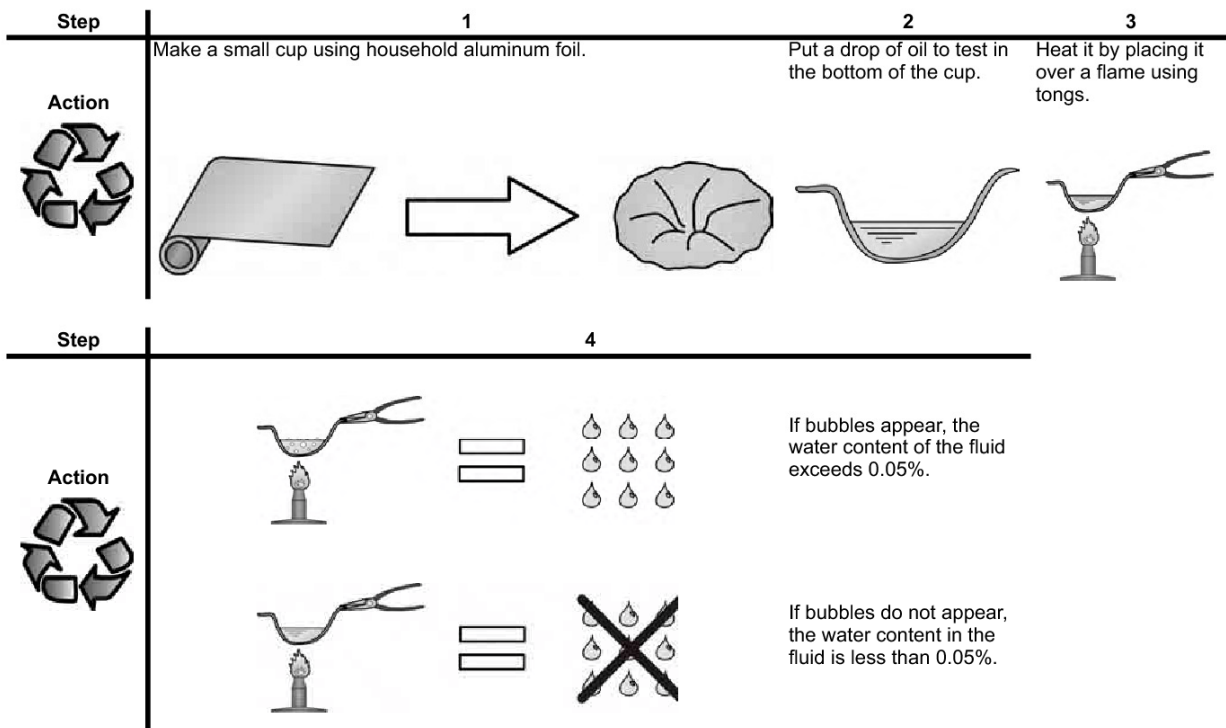
• The oil appears cloudy once it has a water concentration greater than or equal to 1%.

We suggest two possible verification methods:

1- Quick Elementary Check



• The “crackle test.”



2- Laboratory analysis

To determine the exact water content of the fluid, we recommend a laboratory analysis.



Poclairn Hydraulics performs laboratory analyses of water content in fluids. Contact us for further information.

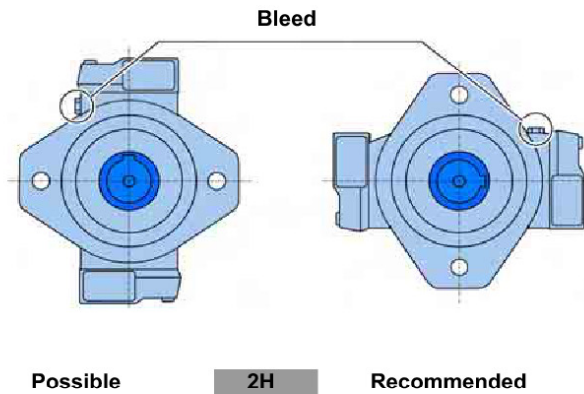
INSTALLATION

Installing the horizontal shaft

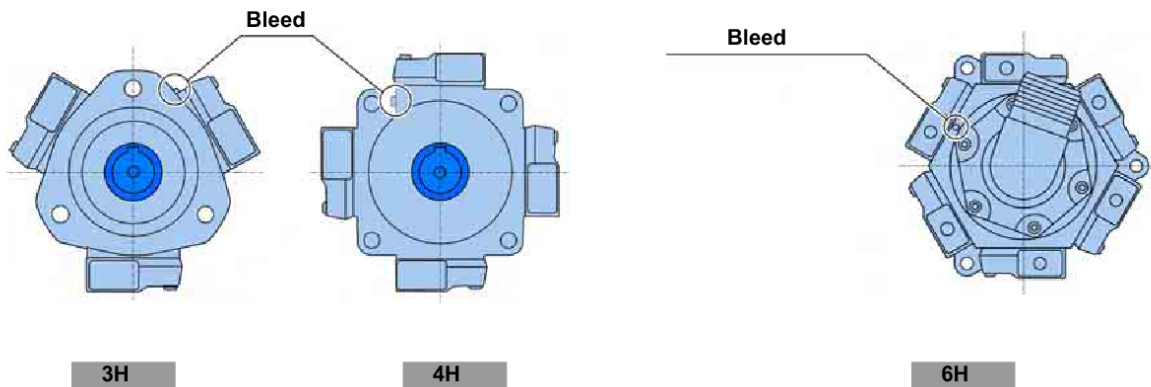
The pump should be secured to a rigid support, with the pump shaft in a horizontal position.

The casing has a bleed screw; this should be located in the upper part.

The cylinder heads must be accessible because they enclose the valve assembly (discharge valves).



Obligatory installation positions



For other mounting possibilities, please consult your Poclair Hydraulics engineer.

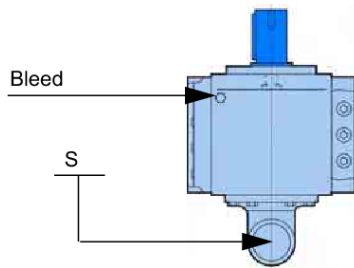
Installing the vertical shaft:

Pump with 1 or 2 bodies

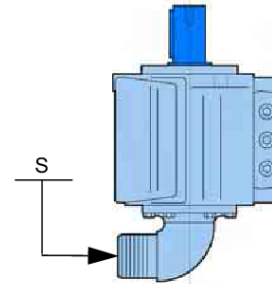
The bleed screw is positioned to allow vertical installation with the shaft pointing upward.



In any other conditions, please consult your Poclain Hydraulics application engineer.



2H



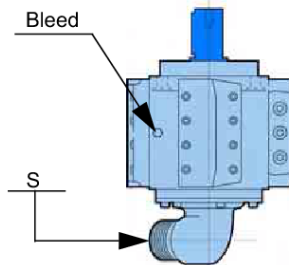
3H

Pumps with 3, 4 or 6 bodies

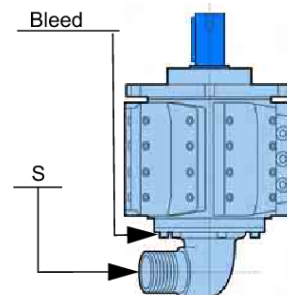
Vertical installation is possible with the shaft pointing upward or downward, but is not always provided for.



In any other conditions, please consult your Poclain Hydraulics application engineer.



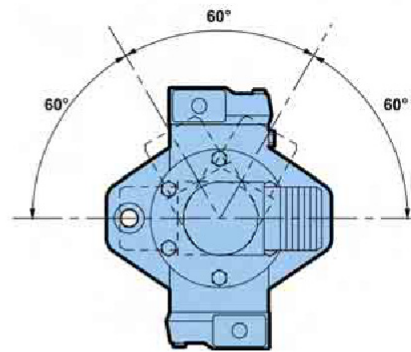
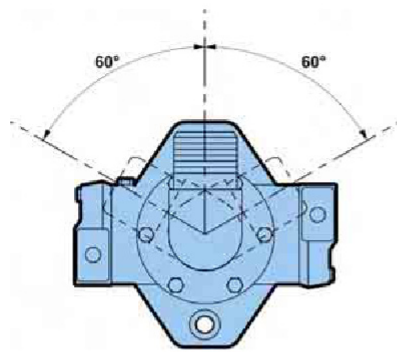
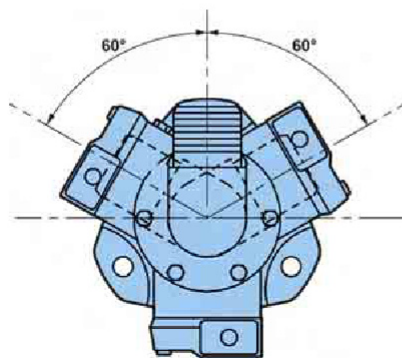
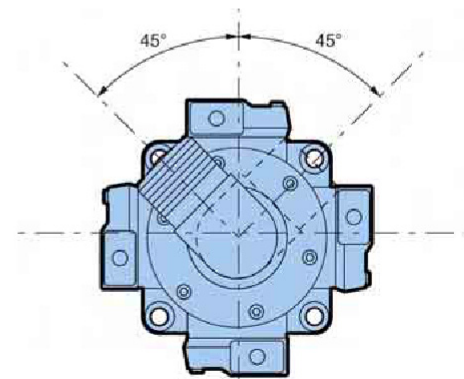
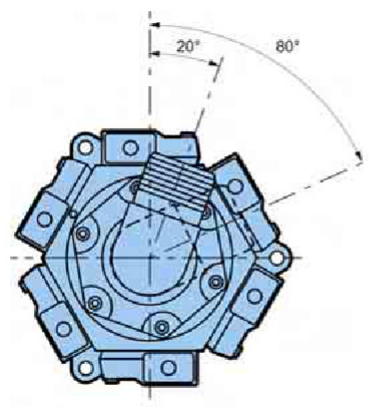
4H



6H

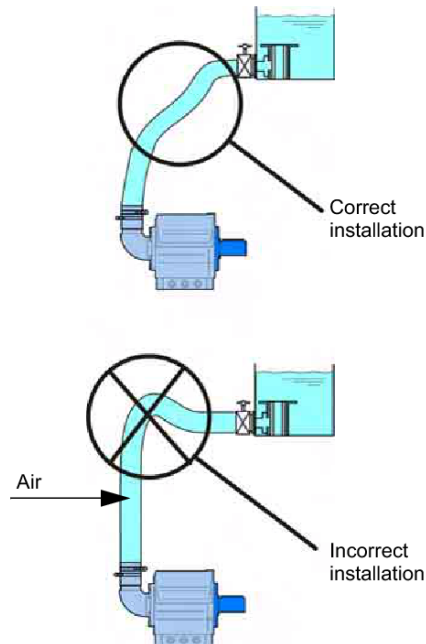
Immersed installation

For immersed installation, the plug that normally blocks the bleed port should be removed, and the port should always be immersed.

Supply pipe orientations**2H****3H****4H****6H**

Pipes

Use a reinforced durite pipe at the intake. The intake pipe must be as short and straight as possible and without a high point, to prevent air pockets from becoming trapped in the pipe. At the discharge, we recommend the installation of a flexible hose at the pump outlet.



Coupling

The pump shaft coupling can be either of the following types:

- Direct coupling,
- Universal joint coupling in compliance with standard ANSI B92-A (sleeve fitted to the pump shaft).



In any other conditions, please consult your Poclairn Hydraulics application engineer.

Drive

.By electric motor or diesel or gas combustion engine.



In any other conditions, please consult your Poclairn Hydraulics application engineer.

Hydraulic supply

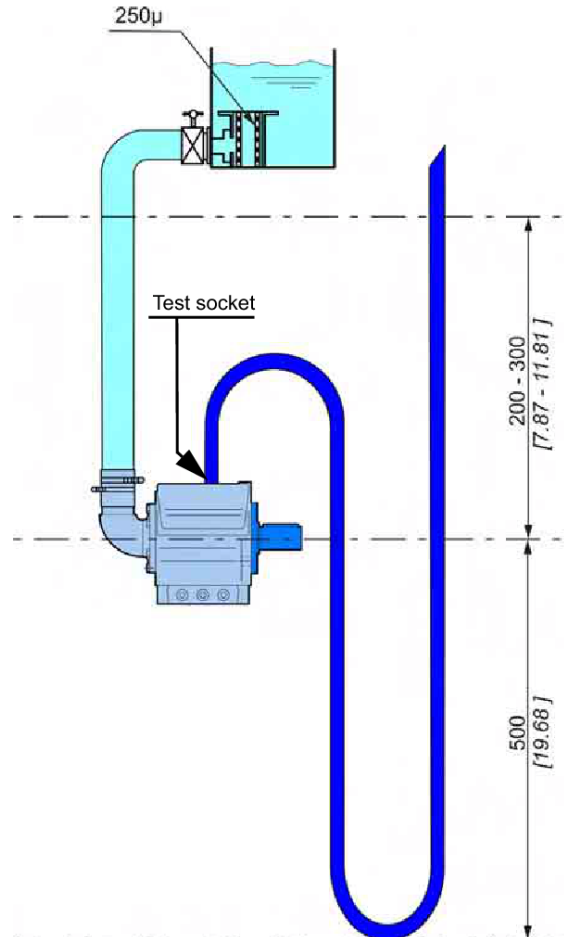
By observing certain rules about the hydraulic supply, you can favor correct pump operation and pump durability.

Tank, head height

The tank position must ensure the following:

In operation, a pressure of 0.02 to 0.03 bar (0.29 to 0.44 PSI) at the pump intake at normal circuit temperature. This temperature depends on operating conditions.

.On start-up, when the oil is cold, the pressure drop must not exceed 0.05 bar (0.73 PSI).



- Normal tank capacity is 1 to 2 times the pump flow per minute.
- The oil returns must be located as far as possible from the intake and must be immersed in oil.
- When filling, ensure that the tank is perfectly clean.

PUTTING IN SERVICE



It is extremely important to follow this procedure along with the specific instructions provided by the manufacturer of each component during the startup of a new or reconditioned system.

Before putting into service:

- Check connections (cable/hose clamps, flange connections, etc.).
- Fill the tank.
- Open the suction valve.
- Bleed the pump casing (re-tighten the screw when the jet of oil comes out regularly, without air bubbles).
- Check that the pressure at the pump intake is above the required operating value. This pressure should be measured at the intake elbow joint.
- Check that the directional valves, valves, etc. are positioned so that the pump flows off-load or at minimum pressure (put the valves out of adjustment).

Putting the pump in service

Driven by an electric motor

- Using electrical pulses, ensure that the motor drives the pump's rotation in the direction shown by the arrow on the cylinder heads.
- Continue applying electrical pulses to prime the pump (automatic priming).
- If no abnormal noise is heard after about ten pulses, start the electric motor.
- Run the pump off-load for a few minutes. If the pump is properly primed, no vibration should be detected in the discharge hoses.
- Check the oil level in the tank, and top up if necessary.
- Check the suction pressure.
- Next, begin loading the pump: supply the actuators, adjust the valves, etc. (refer to installation manual for component(s)).

Driven by a combustion engine

- Use the starter to run the motor, and ensure that it rotates in the correct direction.
- Start the combustion engine and allow it to idle to prime the pump.
- If the pump is properly primed, no vibration should be detected in the discharge hoses.
- Check the hydraulic fluid level in the tank, and top up if necessary.
- Gradually increase the engine speed to top speed.
- Check the suction pressure, return the combustion engine to its normal operating speed, and load the pump.



Poor priming can cause poor pump operation and can quickly destroy the pump.



For the sake of safety, the casing should be purged again after a few minutes of operation.

- Check the pump operating conditions: maximum speed, pressure, and temperature.