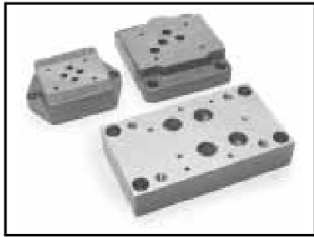




# COMPACT COMPONENTS



# ZB-KVM. VALVES. CONNECTING COMPONENTS



**Subplates**  
Subplates (NG 6, 10, 16)

5  
5

Subplates



**Manifold blocks**  
Manifold blocks BP (NG 6, 10)

7  
7

Manifold blocks

# SUBPLATES

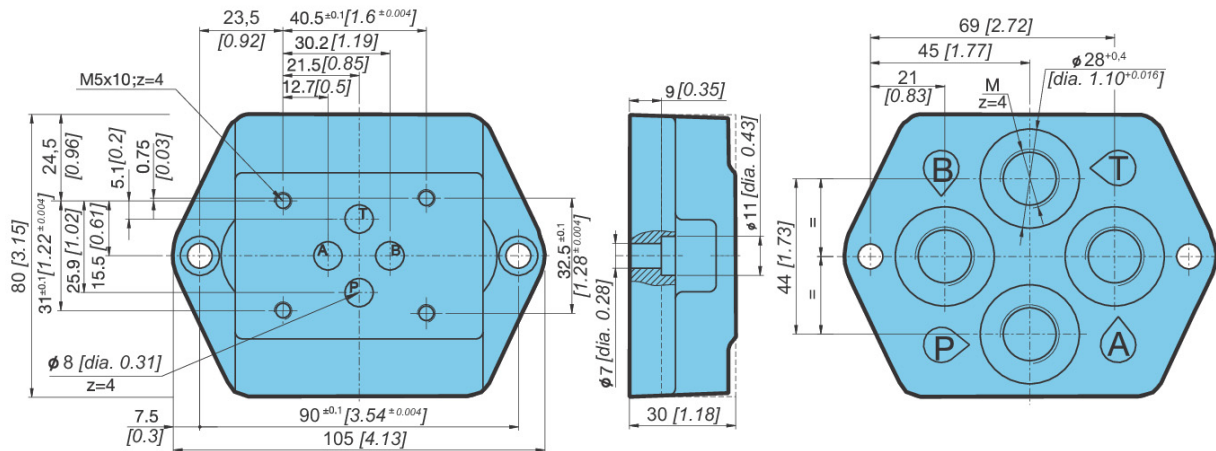
- NG 6, 10, 16
- Up to 350 bar [5076 PSI]
- Up to 300 L/min [31,7 GPM]
- Connecting dimensions to ISO 4401.
- Threaded connection to ISO 1179 (BSPP/Gas).



PP-KV-6, PP-KV-10, PP-KV-16

## Dimensions

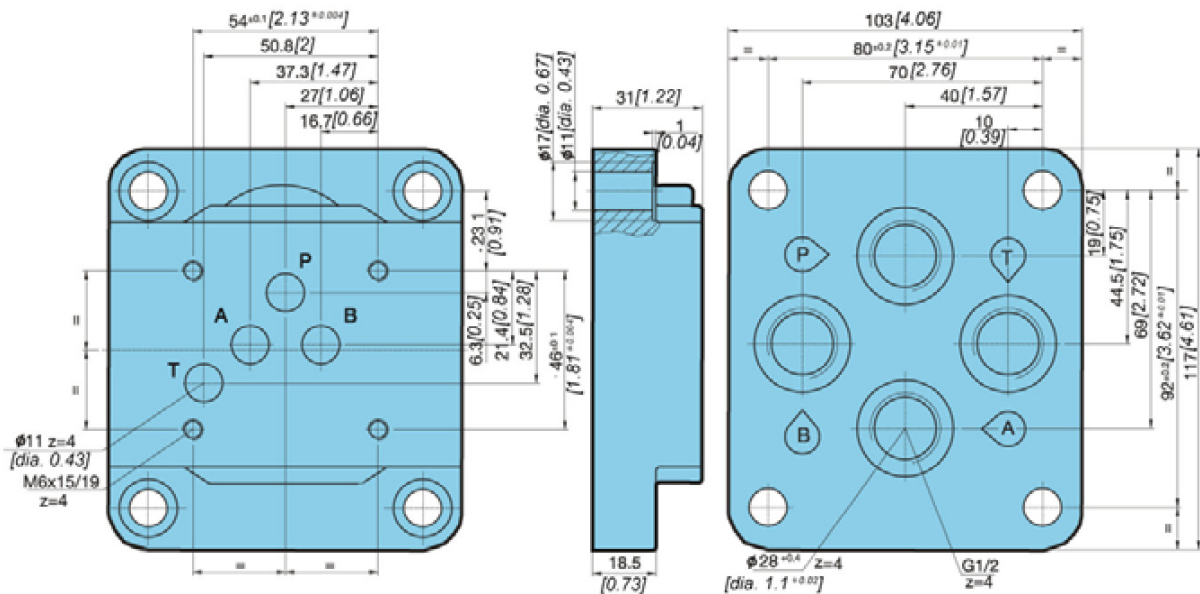
Subplate, type PP-KV-6-...



Type	PP-KV-6-2-G3/8-Ø28-L	PP-KV-6-2-G3/8-Ø28-L-ZN	PP-KV-6-2-G1/2-Ø28-L
M	G3/8	G3/8	G1/2
Surface protection	Phosphated	Zinc - plated	Phosphated

Subplate type PP-KV-10-G1/2-Ø28L

Surface protection - Phosphated





## MANIFOLD BLOCKS BP

- NG 6, 10
- Up to 350 Bar [5076 PSI]
- Connecting dimensions to ISO 4401.
- Threaded connection to ISO 1179-1 (BSPP/Gas).
- Mounting position unrestricted (valve axis preferably horizontal).
- Because of the large drilling diameters the pressure drop through the manifolds is very low.

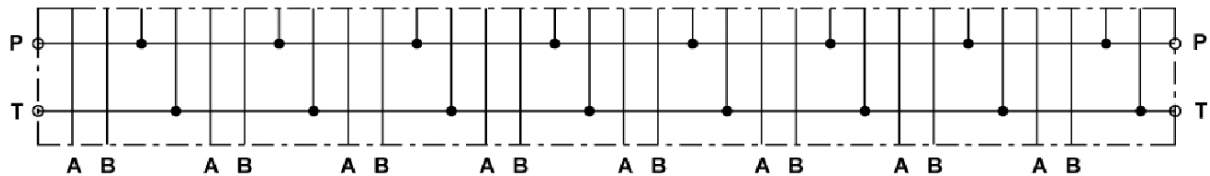


**BP-6-4-S**

### Operation

Manifold blocks serve for transmission of hydraulic fluid from source to valves. On the block can be two or up to seven valves (NS 10) or up to eight valves (NS 6) mounted in parallel connection. Manifold blocks are used for easily realizing of hydraulic circuits without piping between valves and minimal overall dimensions.

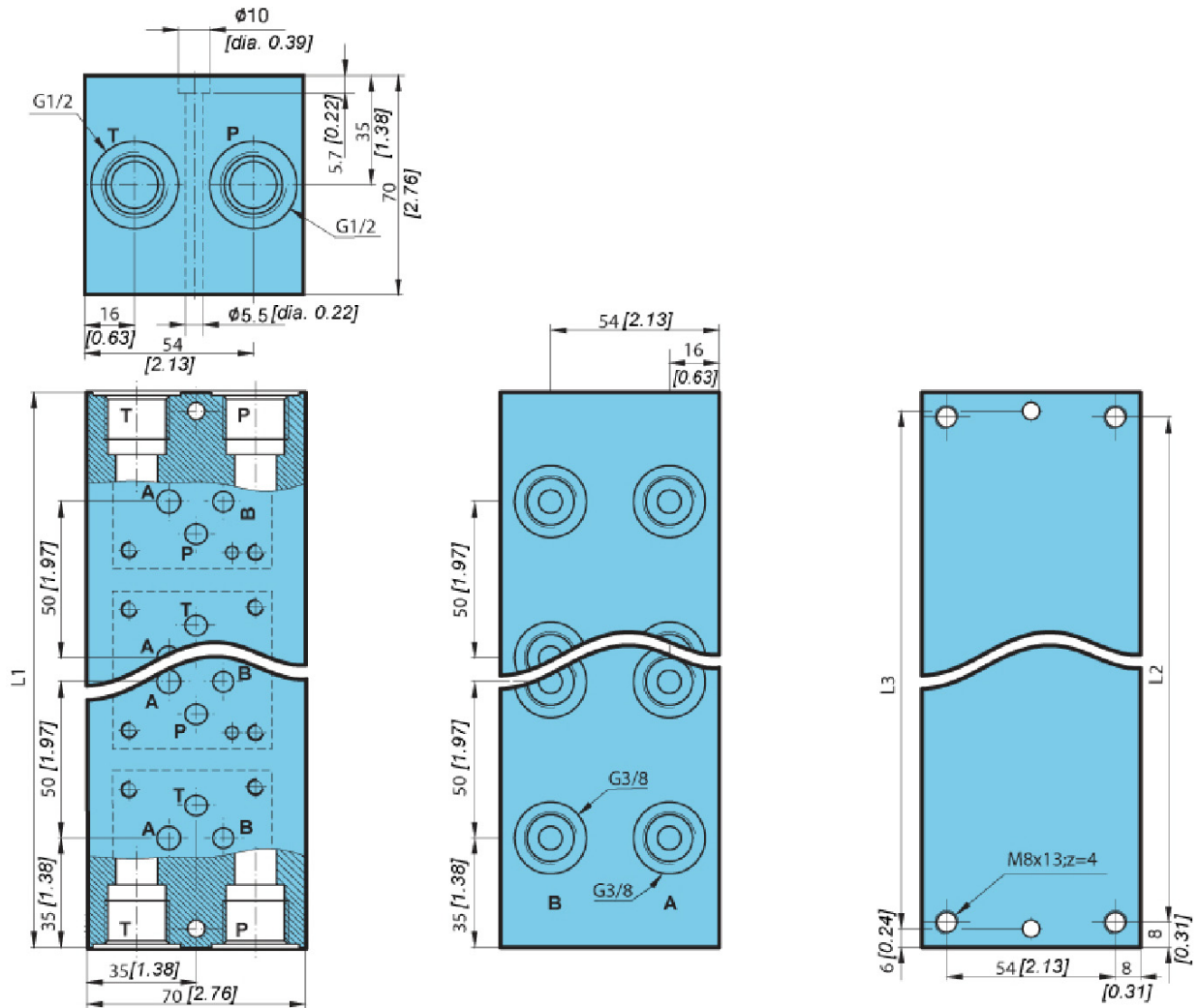
### Hydraulic symbol





## Dimensions

BP-6-...-S

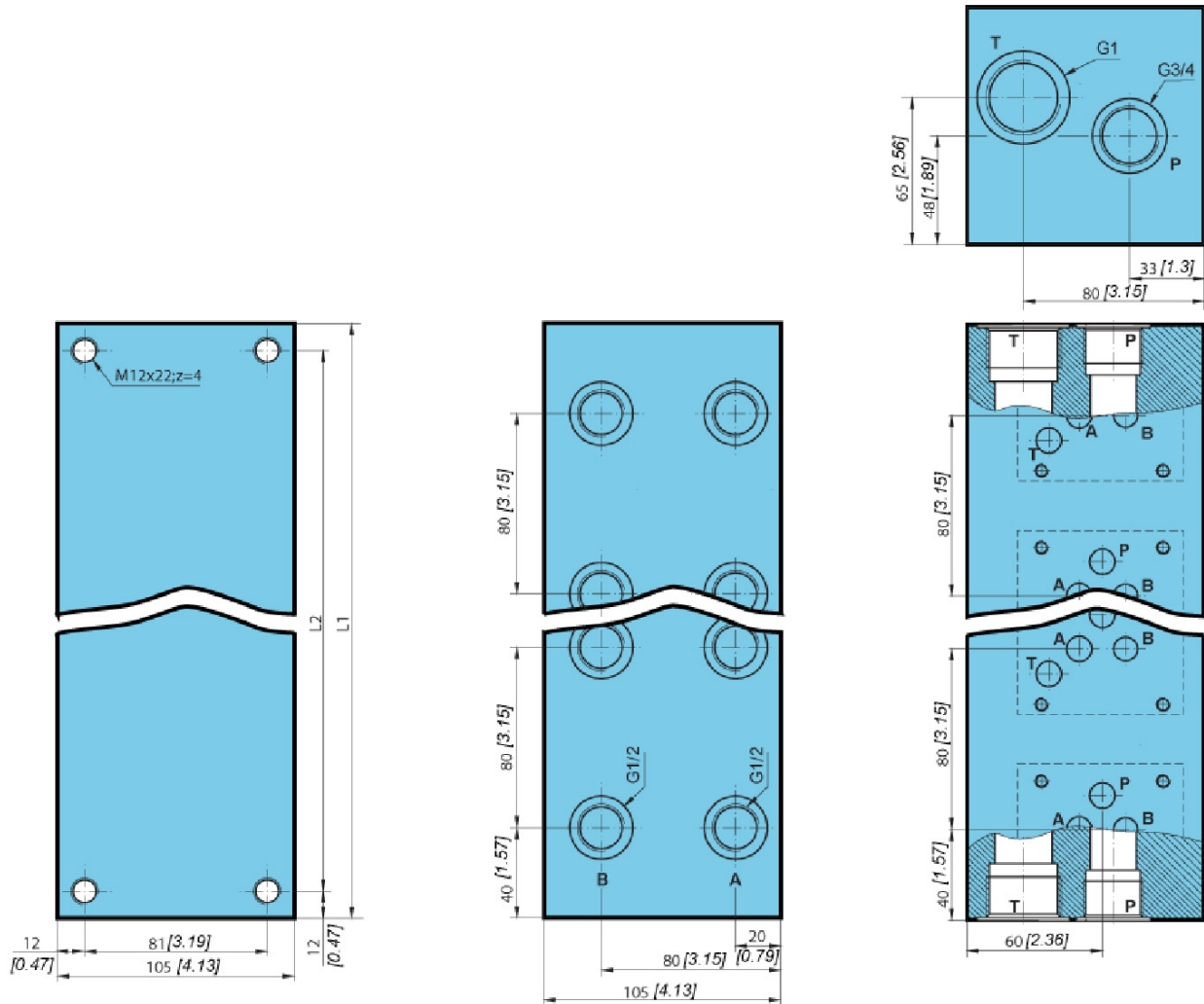


Type	Nominal size	Stations	L1 mm [Zoll]	L2 mm [Zoll]	L3 mm [Zoll]	Ports size		Mass kg [lb]
						P-T	A-B	
BP-6-1-S	6	1	70 [2.75]	54 [2.12]	58 [2.28]	G1/2	G3/8	2,3 [5.07]
BP-6-2-S		2	120 [4.72]	104 [4.09]	108 [4.25]			3,9 [8.60]
BP-6-3-S		3	170 [6.69]	154 [6.06]	158 [6.22]			5,5 [12.12]
BP-6-4-S		4	220 [8.66]	204 [8.03]	208 [8.19]			7,2 [15.87]
BP-6-5-S		5	270 [10.63]	254 [10.00]	258 [10.15]			8,8 [19.40]
BP-6-6-S		6	320 [12.60]	304 [11.97]	308 [12.12]			10,5 [23.15]
BP-6-7-S		7	370 [14.56]	354 [13.93]	358 [14.09]			12,1 [26.67]
BP-6-8-S		8	420 [16.53]	404 [15.90]	408 [16.06]			13,7 [30.20]



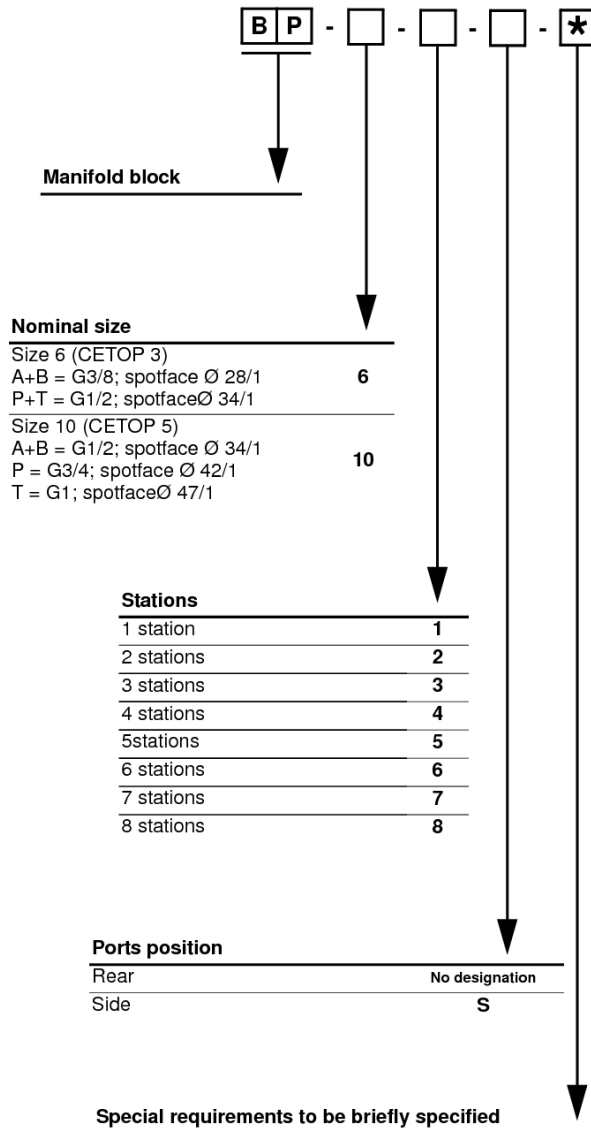
## Dimensions

### BP-10-...-S



Type	Nominal size	Stations	L		Ports size			Mass kg [lb]
			L1 mm [Zoll]	L2 mm [Zoll]	P	A-B	T	
BP-10-1-S	10	1	80 [3.15]	56 [2.20]	G3/4	G1/2	G1	5,9 [13.00]
BP-10-2-S		2	160 [6.30]	136 [5.35]				11,8 [26.01]
BP-10-3-S		3	240 [9.45]	216 [8.50]				17,7 [39.02]
BP-10-4-S		4	320 [12.60]	296 [11.65]				23,5 [51.80]
BP-10-5-S		5	400 [15.74]	376 [14.80]				29,4 [64.81]
BP-10-6-S		6	480 [18.90]	456 [17.95]				35,3 [77.82]
BP-10-7-S		7	560 [22.04]	536 [21.10]				41,2 [90.83]

**Model code**



Max. pressure depends on type of used seals.