



POWER TRANSMISSION VALVES



VDP. ANTI-SLIPPING VALVES.

Methodology :

This document is intended for manufacturers of machines that incorporate Poclairn Hydraulics products. It describes the technical characteristics of Poclairn Hydraulics products and specifies installation conditions that will ensure optimum operation.

This document includes important comments concerning safety. They are indicated in the following way:



Safety comment.

This document also includes essential operating instructions for the product and general information. These are indicated in the following way:



Essential instructions.



General information .



Information on the model number. Information on the model code.



Weight of component without oil.



Volume of oil.



Units.



Tightening torque.



Screws.



Information intended for Poclairn-Hydraulics personnel.

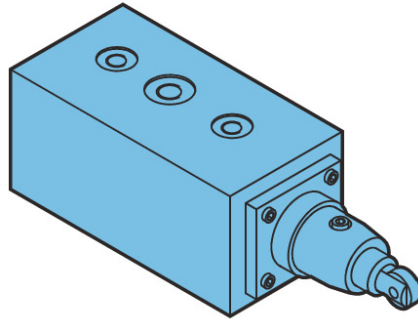
The views in this document are created using metric standards.

The dimensional data is given in mm and in inches (inches are between brackets and italic)



DIRECTIONAL CONTROL VALVES VDP

Function: Directional control valve on TwinLock™ circuit and mechanical or hydraulic proportional control.

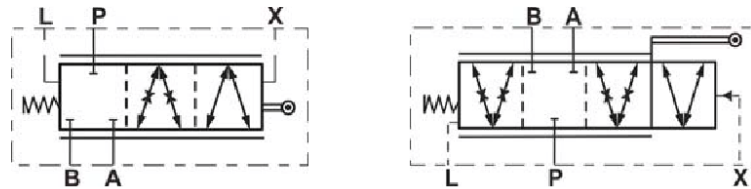


Commercial Description
VDP H10 323 M1G30 100 0000
VDP H10 332 M1G30 110 0000
VDP H10 331 M1G30 110 0000
VDP H10 331 M1G30 210 0000

Part number
 004643346Q (VDP H10 323 M1G30 100 0000)
 004643387K (VDP H10 332 M1G30 110 0000)
 004643382E (VDP H10 331 M1G30 110 0000)
 005043313M (VDP H10 331 M1G30 210 0000)

Compatibility TwinLock™ Circuit

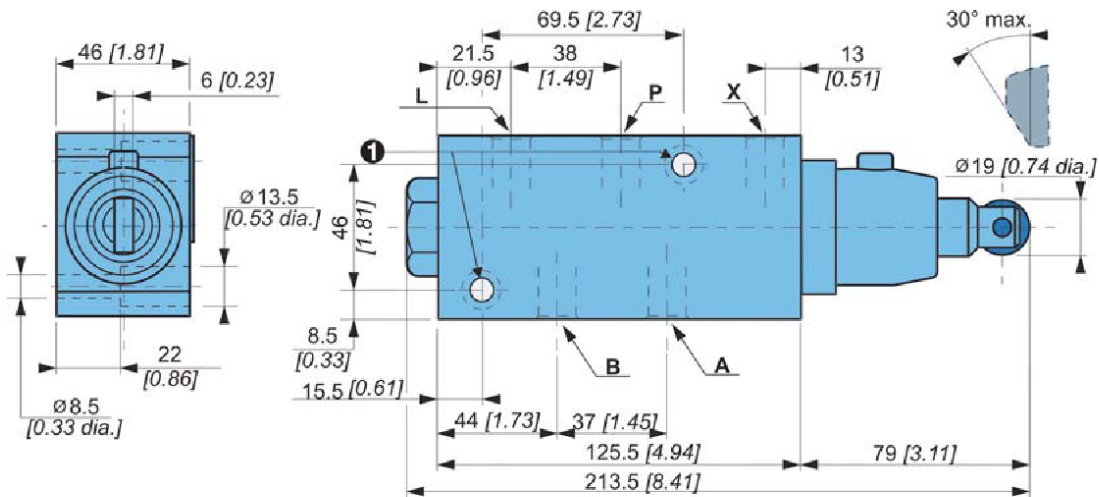
Hydraulic symbol
 004643346Q
 004643387K
 004643382E
 005043313M



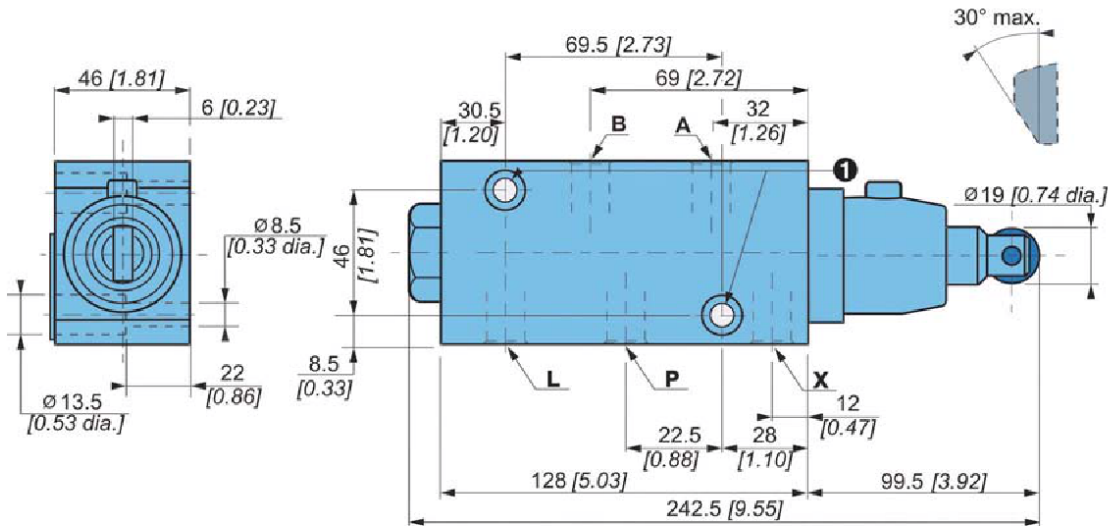
Characteristics

	Max. pressure bar [PSI]	Flow L/min [GPM]	Mass kg [lb]
004643346Q			2.65 [5.8]
004643387K	450 [6 526]	26 to 50 [7 to 13]	
004643382E			3.33 [7.3]
005043313M			

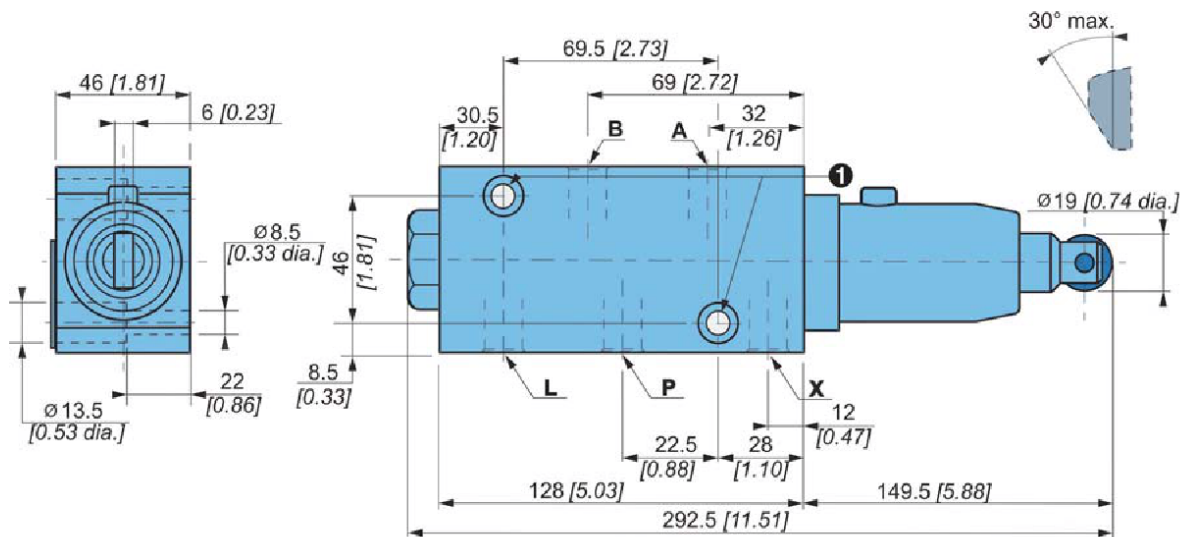
Dimensions VDP H10 323 M1G30 100 0000



**Dimensions VDP H10 332 M1G30 110 0000
VDP H10 331 M1G30 110 0000**



Dimensions VDP H10 331 M1G30 210 0000





The operation of the cam on the roller must be limited to $\pm 30^\circ$ to limit the parasite forces.

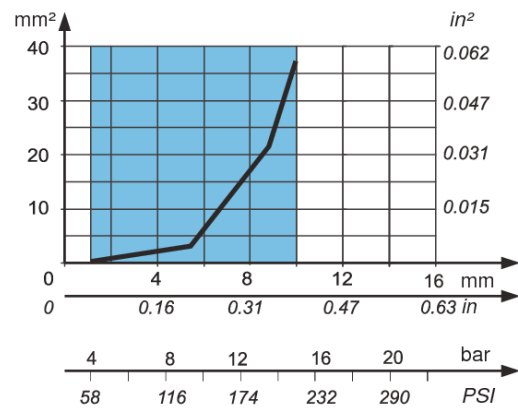
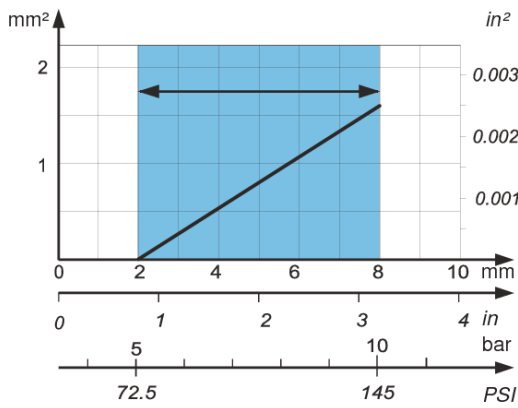
Mechanical control

	Beginning of opening N [lbf]	End of opening N [lbf]	Max. stroke mm [in]
004643346Q	25 [5.62]	55 [12.36]	10 [0.39]
004643387K			
004643382E	49 [11.02]	170 [38.22]	16 [0.6]
005043313M			

Hydraulic control

	Beginning of opening bar [PSI]	End of opening bar [PSI]	Max. pressure bar [PSI]
004643346Q	5 [72.5]	11 [160]	
004643387K			
004643382E	4 [58]	15 [218]	50 [725]
005043313M			

004643346Q: 004643387K
004643382E
004643313M




Installation

Valve mounting position: Indifferent.

Chassis mounting:

Ref.		Quantity	Class	 N.m [lb.ft] ± 10 % (as per standard DIN 912)
1	M8	2	8.8	25 [18]

Hydraulic connections:

Port	Function	Connection	Max. pressure bar [PSI]	 N.m [lb.ft] ± 10 % (as per standard DIN 912)
P-A-B	HP circuit	M18 x 1.5	450 [6 526]	70 [52]
X	Pilot	M14 x 1.5	50 [752]	45 [33]
L	Drain		3 [45]	