



# COMPACT COMPONENTS



**OB-KVM. VALVES.**  
**CONNECTING COMPONENTS**



**Subplates**  
 Subplates (NG 6, 10, 16)

5  
 5

Subplates



**Manifold blocks**  
 Manifold blocks BP (NG 6, 10)

7  
 7

Manifold blocks

## SUBPLATES

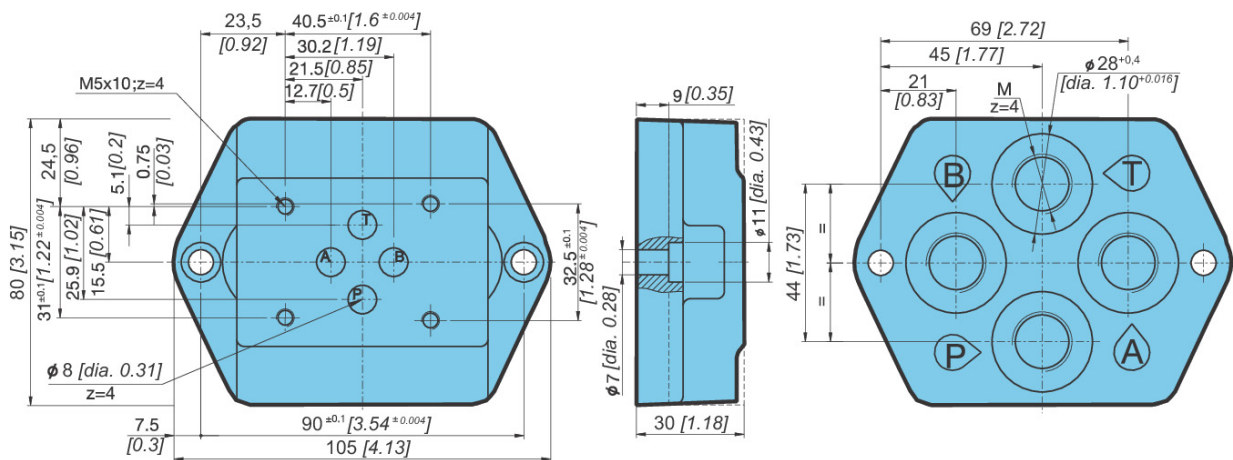
- NG 6, 10, 16
- Up to 350 bar [5076 PSI]
- Up to 300 L/min [31,7 GPM]
- Connecting dimensions to ISO 4401.
- Threaded connection to ISO 1179 (BSPP/Gas).



PP-KV-6, PP-KV-10, PP-KV-16

### Dimensions

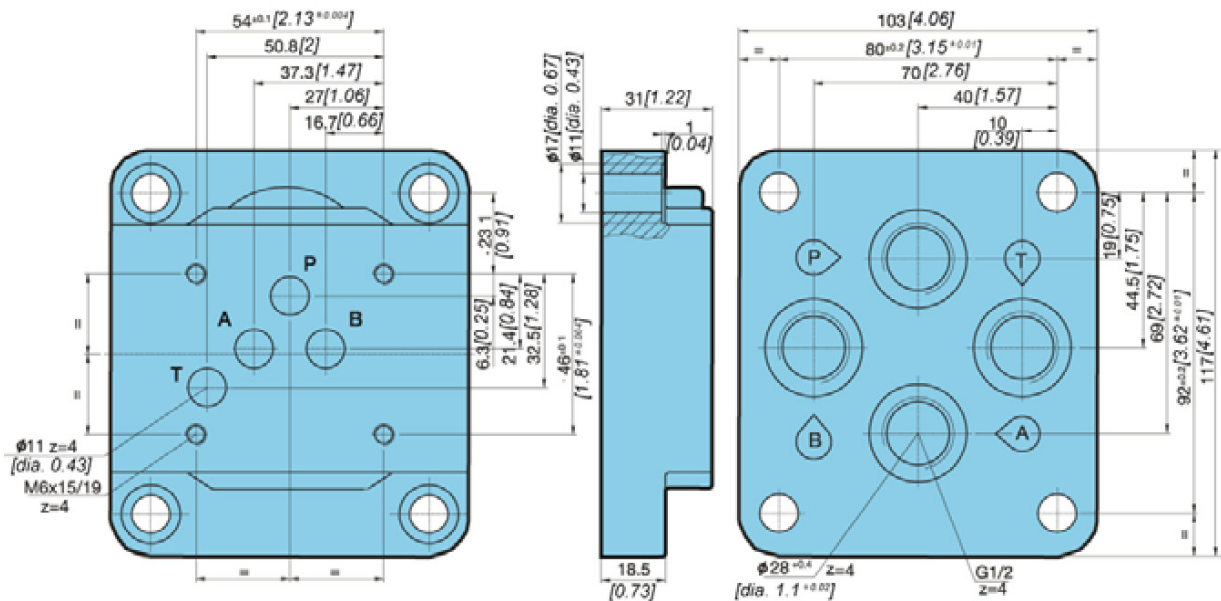
#### Subplate, type PP-KV-6-...



| Type               | PP-KV-6-2-G3/8-Ø28-L<br>mm [Zoll] | PP-KV-6-2-G3/8-Ø28-L-ZN<br>mm [Zoll] | PP-KV-6-2-G1/2-Ø28-L<br>mm [Zoll] |
|--------------------|-----------------------------------|--------------------------------------|-----------------------------------|
| M                  | G3/8                              | G3/8                                 | G1/2                              |
| Surface protection | Phosphated                        | Zinc - plated                        | Phosphated                        |

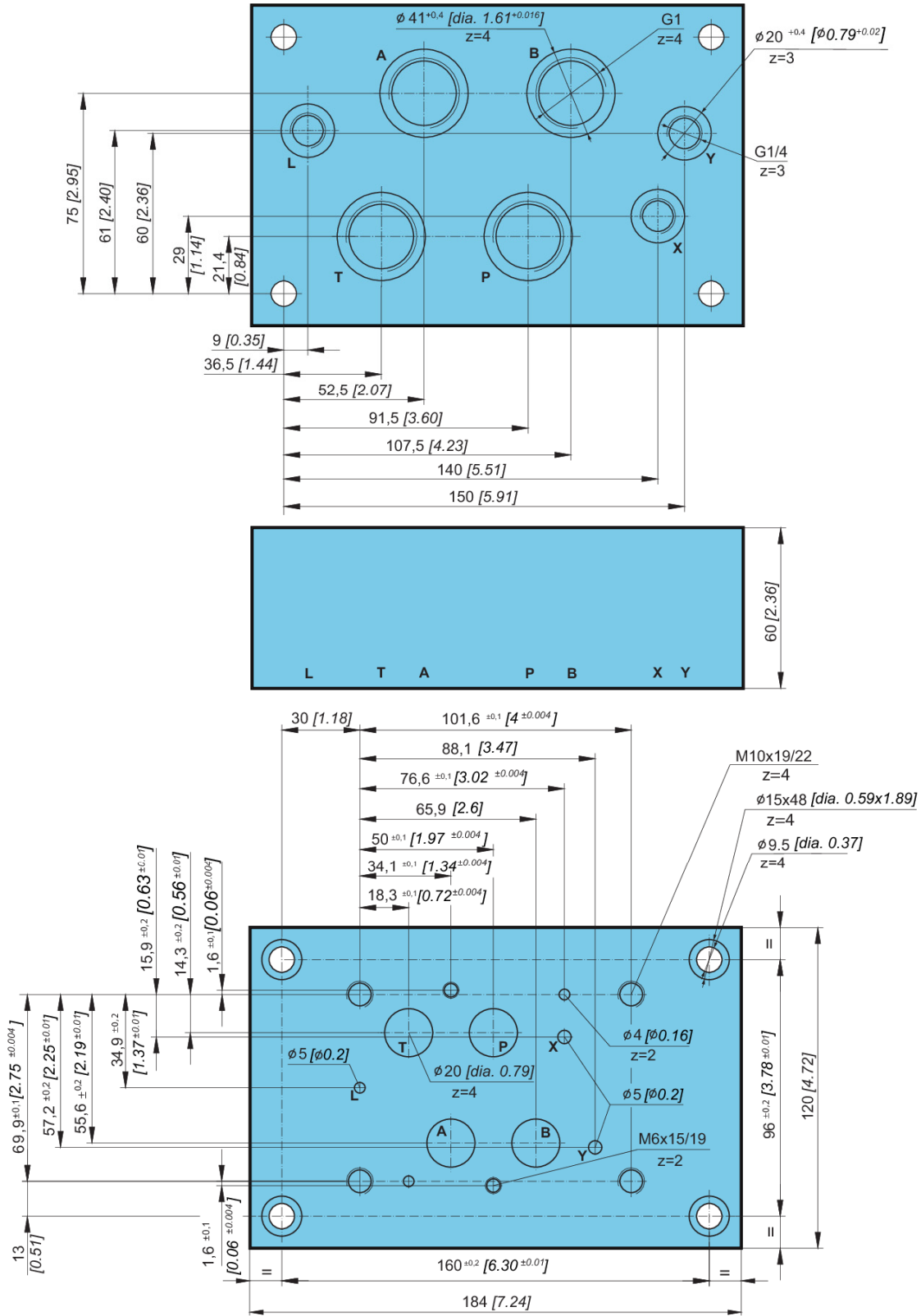
#### Subplate type PP-KV-10-G1/2-Ø28L

Surface protection - Phosphated



**Dimensions**

Subplate, type PP-KV-16-G1-Ø41



## MANIFOLD BLOCKS BP

- NG 6, 10
- Up to 350 Bar [5076 PSI]
- Connecting dimensions to ISO 4401.
- Threaded connection to ISO 1179-1 (BSPP/Gas).
- Mounting position unrestricted (valve axis preferably horizontal).
- Because of the large drilling diameters the pressure drop through the manifolds is very low.

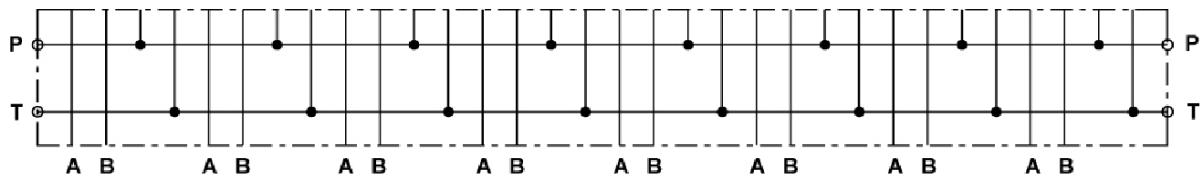


**BP-6-4-S**

### Operation

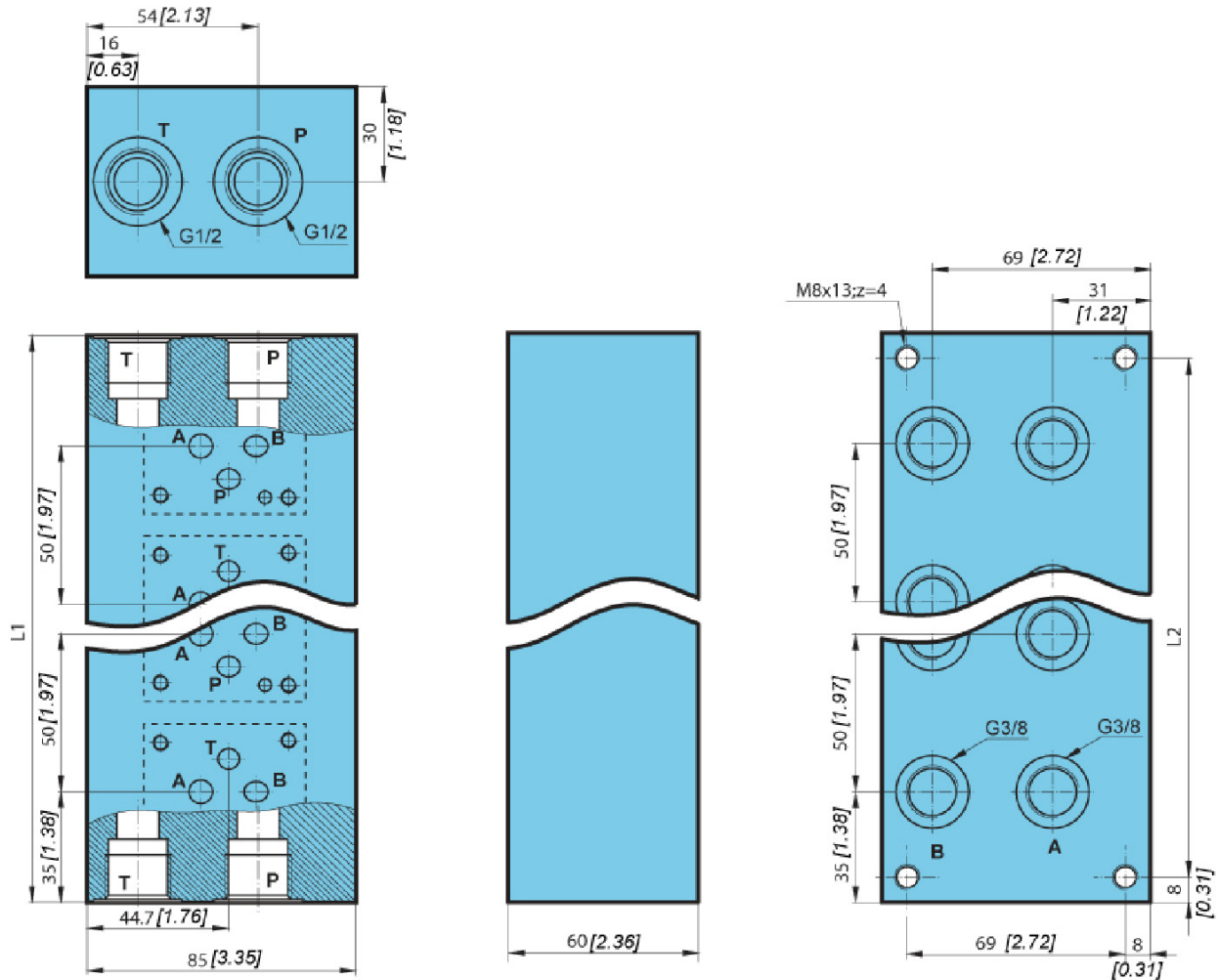
Manifold blocks serve for transmission of hydraulic fluid from source to valves. On the block can be two or up to seven valves (NS 10) or up to eight valves (NS 6) mounted in parallel connection. Manifold blocks are used for easily realizing of hydraulic circuits without piping between valves and minimal overall dimensions.

### Hydraulic symbol



## Dimensions

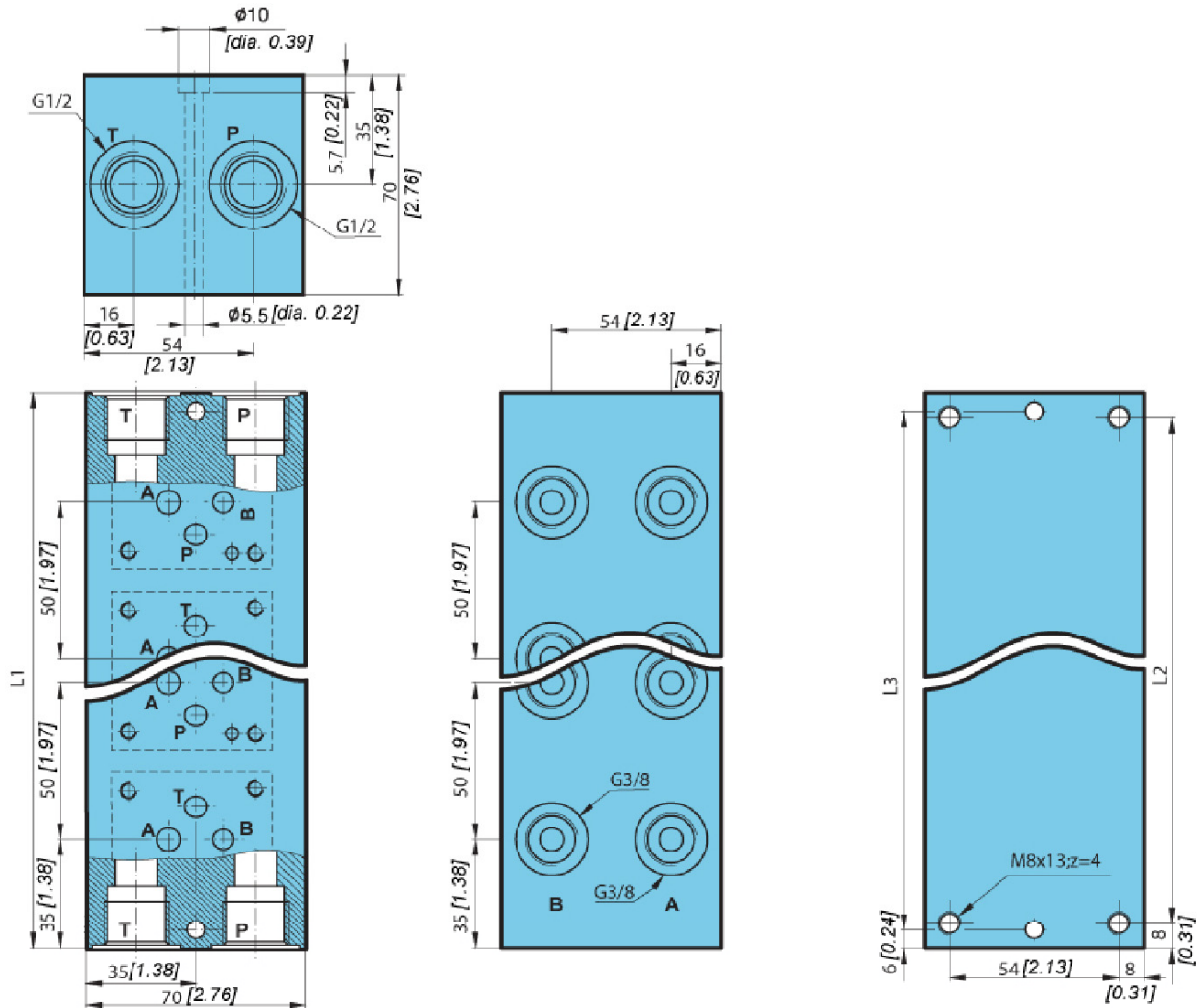
BP-6...-



| Type   | Nominal size | Stations | L               |                 | Ports size |      | Mass<br>kg [lb] |
|--------|--------------|----------|-----------------|-----------------|------------|------|-----------------|
|        |              |          | L1<br>mm [Zoll] | L2<br>mm [Zoll] | P-T        | A-B  |                 |
| BP-6-1 | 6            | 1        | 70 [2.75]       | 54 [2.12]       | G1/2       | G3/8 | 2,3 [5.07]      |
| BP-6-2 |              | 2        | 120 [4.72]      | 104 [4.09]      |            |      | 3,9 [8.60]      |
| BP-6-3 |              | 3        | 170 [6.69]      | 154 [6.06]      |            |      | 5,5 [12.12]     |
| BP-6-4 |              | 4        | 220 [8.66]      | 204 [8.03]      |            |      | 7,2 [15.87]     |
| BP-6-5 |              | 5        | 270 [10.63]     | 254 [10.00]     |            |      | 8,8 [19.40]     |
| BP-6-6 |              | 6        | 320 [12.60]     | 304 [11.97]     |            |      | 10,5 [23.15]    |
| BP-6-7 |              | 7        | 370 [14.56]     | 354 [13.93]     |            |      | 12,1 [26.67]    |
| BP-6-8 |              | 8        | 420 [16.53]     | 404 [15.90]     |            |      | 13,7 [30.20]    |

**Dimensions**

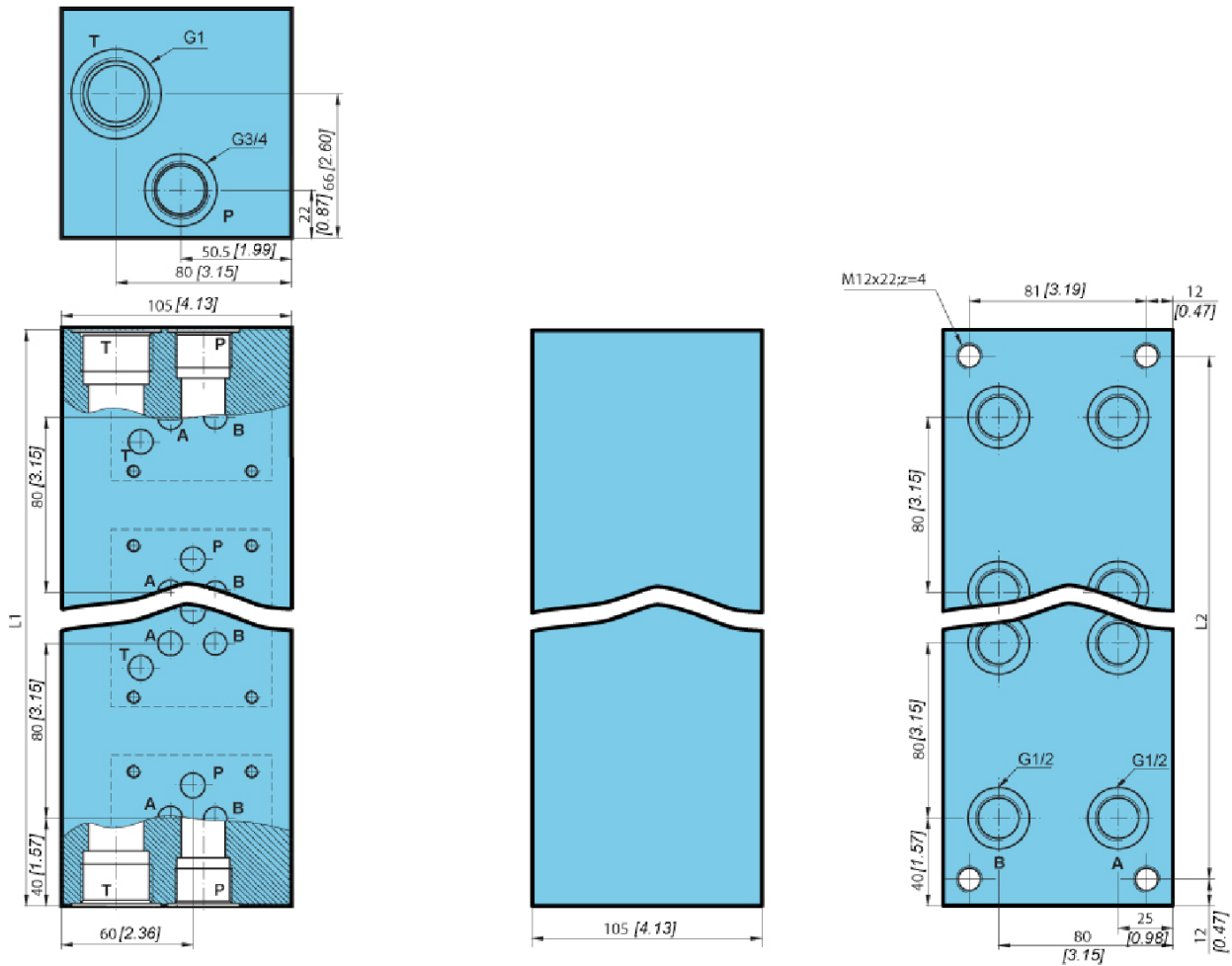
BP-6...-S



| Type     | Nominal size | Stations | L1          | L2          | L3          | Ports size |      | Mass         |
|----------|--------------|----------|-------------|-------------|-------------|------------|------|--------------|
|          |              |          | mm [Zoll]   | mm [Zoll]   | mm [Zoll]   | P-T        | A-B  | kg [lb]      |
| BP-6-1-S | 6            | 1        | 70 [2.75]   | 54 [2.12]   | 58 [2.28]   | G1/2       | G3/8 | 2,3 [5.07]   |
| BP-6-2-S |              | 2        | 120 [4.72]  | 104 [4.09]  | 108 [4.25]  |            |      | 3,9 [8.60]   |
| BP-6-3-S |              | 3        | 170 [6.69]  | 154 [6.06]  | 158 [6.22]  |            |      | 5,5 [12.12]  |
| BP-6-4-S |              | 4        | 220 [8.66]  | 204 [8.03]  | 208 [8.19]  |            |      | 7,2 [15.87]  |
| BP-6-5-S |              | 5        | 270 [10.63] | 254 [10.00] | 258 [10.15] |            |      | 8,8 [19.40]  |
| BP-6-6-S |              | 6        | 320 [12.60] | 304 [11.97] | 308 [12.12] |            |      | 10,5 [23.15] |
| BP-6-7-S |              | 7        | 370 [14.56] | 354 [13.93] | 358 [14.09] |            |      | 12,1 [26.67] |
| BP-6-8-S |              | 8        | 420 [16.53] | 404 [15.90] | 408 [16.06] |            |      | 13,7 [30.20] |

## Dimensions

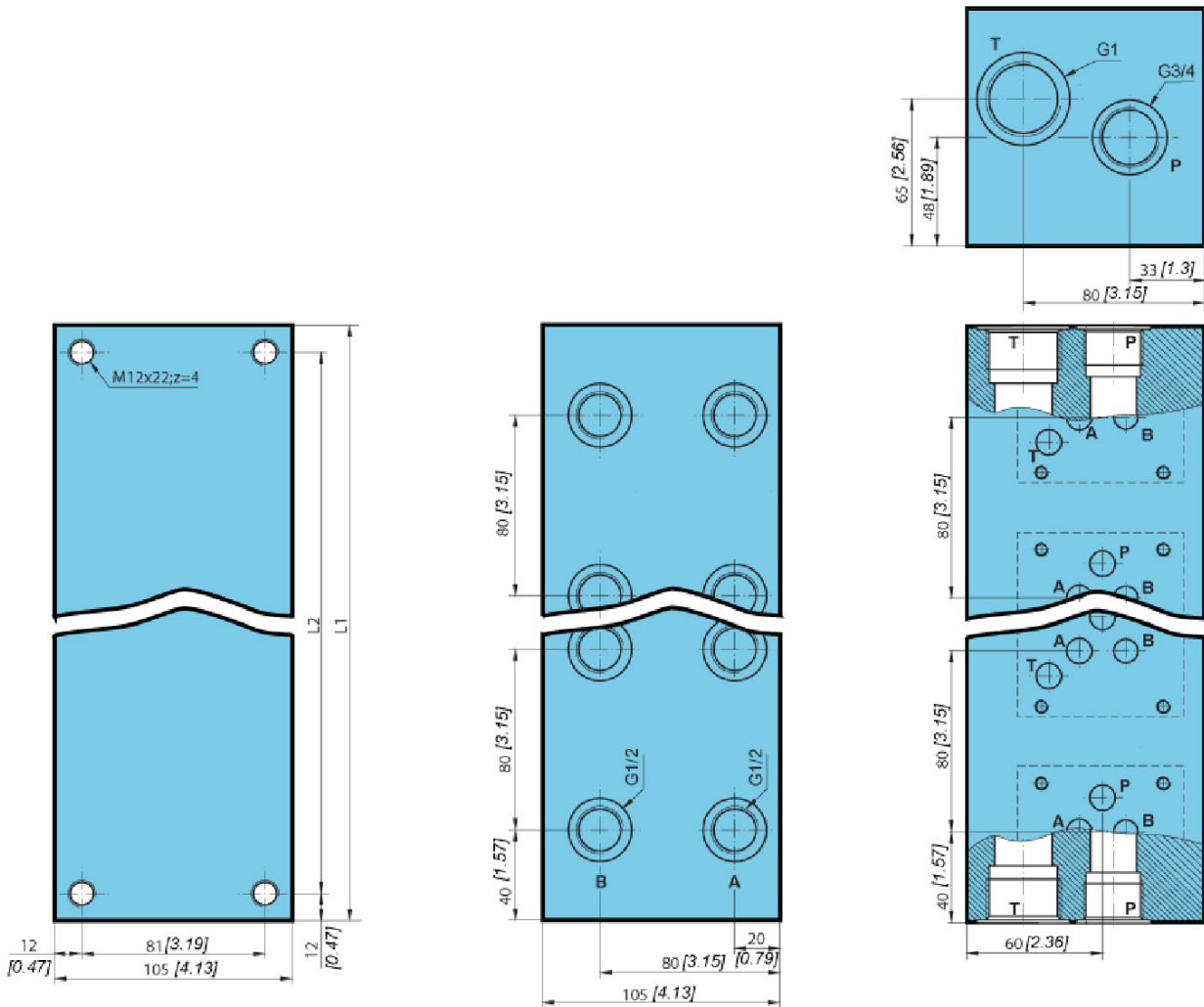
BP-10-...-...



| Type    | Nominal size | Stations | L1          |             | L2        |           | Ports size |     |   | Mass<br>kg [lb] |
|---------|--------------|----------|-------------|-------------|-----------|-----------|------------|-----|---|-----------------|
|         |              |          | mm [Zoll]   | mm [Zoll]   | mm [Zoll] | mm [Zoll] | P          | A-B | T |                 |
| BP-10-1 | 10           | 1        | 80 [3.15]   | 56 [2.20]   | G3/4      | G1/2      | G1         |     |   | 5,9 [13.00]     |
| BP-10-2 |              | 2        | 160 [6.30]  | 136 [5.35]  |           |           |            |     |   | 11,8 [26.01]    |
| BP-10-3 |              | 3        | 240 [9.45]  | 216 [8.50]  |           |           |            |     |   | 17,7 [39.02]    |
| BP-10-4 |              | 4        | 320 [12.60] | 296 [11.65] |           |           |            |     |   | 23,5 [51.80]    |
| BP-10-5 |              | 5        | 400 [15.74] | 376 [14.80] |           |           |            |     |   | 29,4 [64.81]    |
| BP-10-6 |              | 6        | 480 [18.90] | 456 [17.95] |           |           |            |     |   | 35,3 [77.82]    |
| BP-10-7 |              | 7        | 560 [22.04] | 536 [21.10] |           |           |            |     |   | 41,2 [90.83]    |

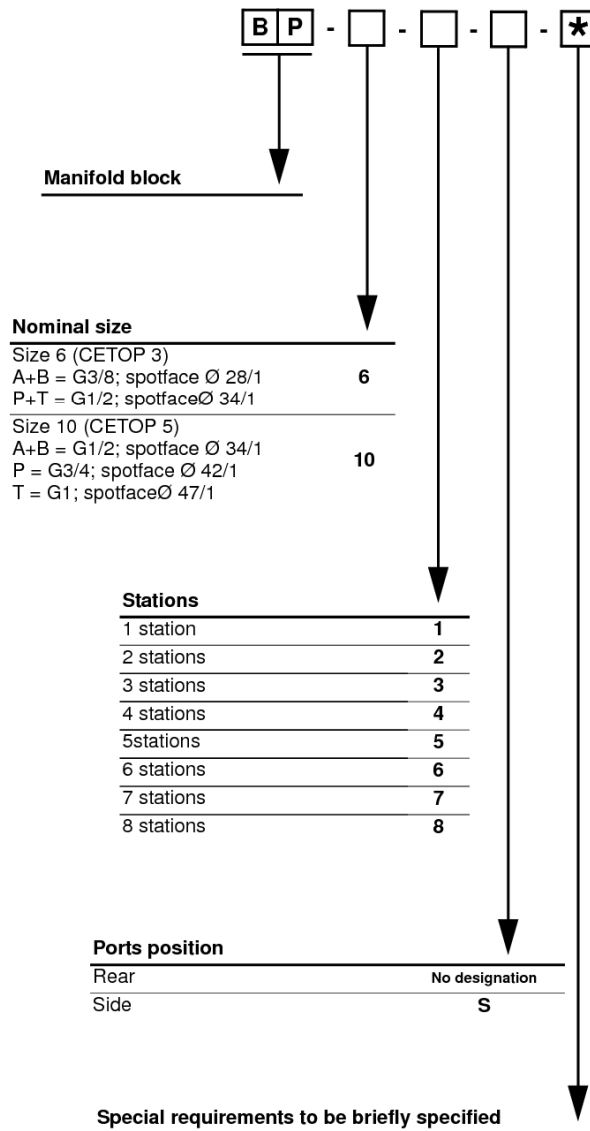
**Dimensions**

BP-10-...-S



| Type      | Nominal size | Stations | L1<br>mm [Zoll] | L2<br>mm [Zoll] | Ports size |      |    | Mass<br>kg [lb] |
|-----------|--------------|----------|-----------------|-----------------|------------|------|----|-----------------|
|           |              |          |                 |                 | P          | A-B  | T  |                 |
| BP-10-1-S | 10           | 1        | 80 [3.15]       | 56 [2.20]       | G3/4       | G1/2 | G1 | 5,9 [13.00]     |
| BP-10-2-S |              | 2        | 160 [6.30]      | 136 [5.35]      |            |      |    | 11,8 [26.01]    |
| BP-10-3-S |              | 3        | 240 [9.45]      | 216 [8.50]      |            |      |    | 17,7 [39.02]    |
| BP-10-4-S |              | 4        | 320 [12.60]     | 296 [11.65]     |            |      |    | 23,5 [51.80]    |
| BP-10-5-S |              | 5        | 400 [15.74]     | 376 [14.80]     |            |      |    | 29,4 [64.81]    |
| BP-10-6-S |              | 6        | 480 [18.90]     | 456 [17.95]     |            |      |    | 35,3 [77.82]    |
| BP-10-7-S |              | 7        | 560 [22.04]     | 536 [21.10]     |            |      |    | 41,2 [90.83]    |

**Model code**



Max. pressure depends on type of used seals.