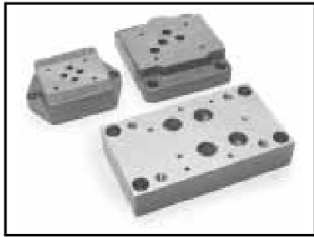




COMPACT COMPONENTS



BP. VALVES.
CONNECTING COMPONENTS



Subplates
Subplates (NG 6, 10, 16)

5
5

Subplates



Manifold blocks
Manifold blocks BP (NG 6, 10)

7
7

Manifold blocks

SUBPLATES

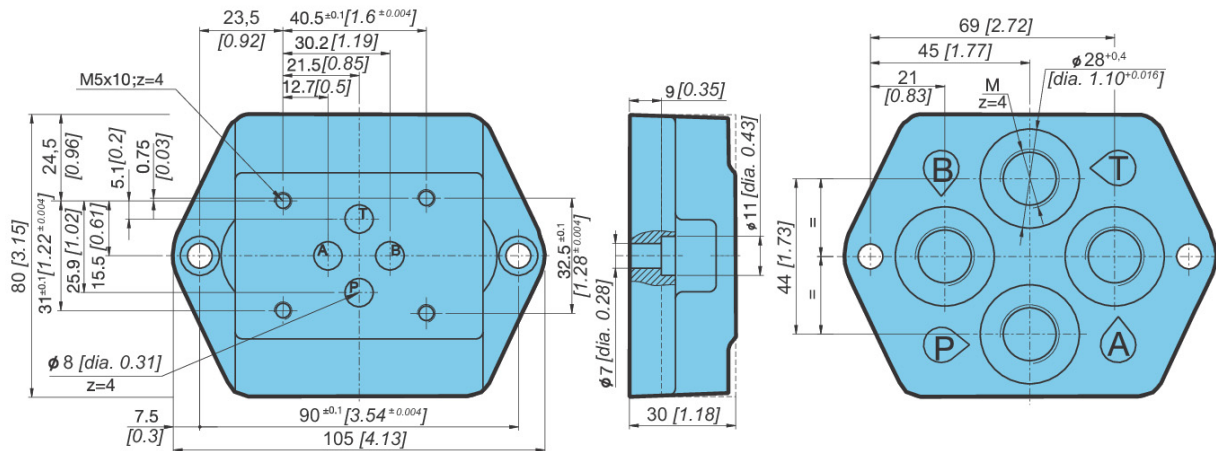
- NG 6, 10, 16
- Up to 350 bar [5076 PSI]
- Up to 300 L/min [31,7 GPM]
- Connecting dimensions to ISO 4401.
- Threaded connection to ISO 1179 (BSPP/Gas).



PP-KV-6, PP-KV-10, PP-KV-16

Dimensions

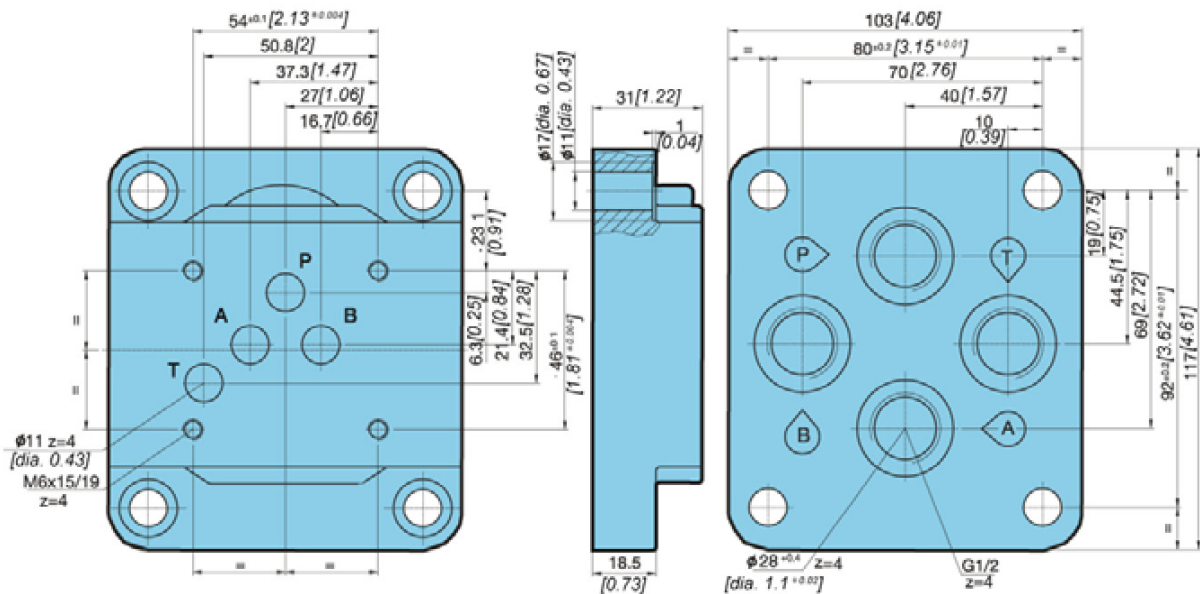
Subplate, type PP-KV-6-...



Type	PP-KV-6-2-G3/8-Ø28-L	PP-KV-6-2-G3/8-Ø28-L-ZN	PP-KV-6-2-G1/2-Ø28-L
M	G3/8	G3/8	G1/2
Surface protection	Phosphated	Zinc - plated	Phosphated

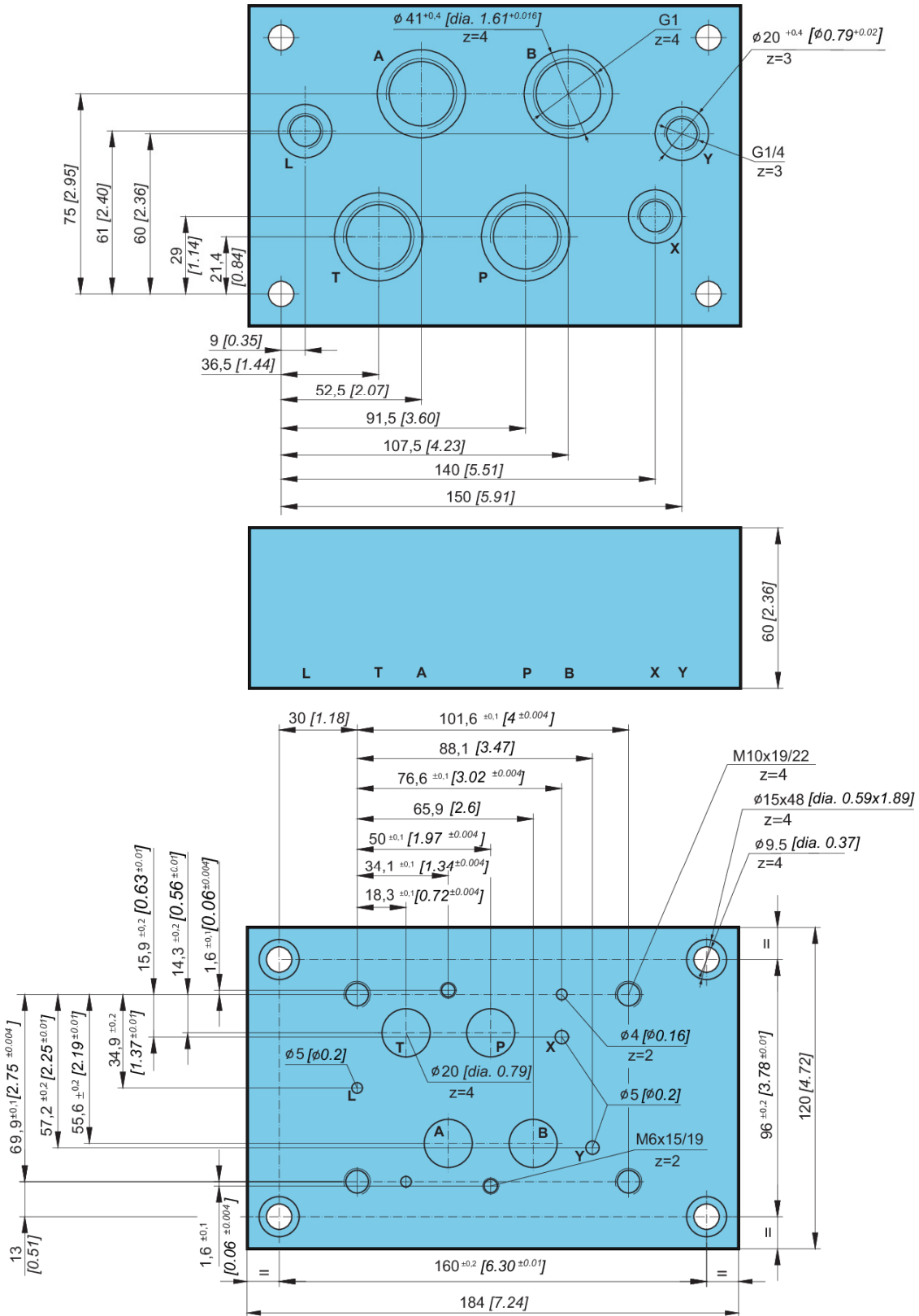
Subplate type PP-KV-10-G1/2-Ø28L

Surface protection - Phosphated



Dimensions

Subplate, type PP-KV-16-G1-Ø41



MANIFOLD BLOCKS BP

- NG 6, 10
- Up to 350 Bar [5076 PSI]
- .Connecting dimensions to ISO 4401.
- .Threaded connection to ISO 1179-1 (BSPP/Gas).
- .Mounting position unrestricted (valve axis preferably horizontal).
- Because of the large drilling diameters the pressure drop through the manifolds is very low.

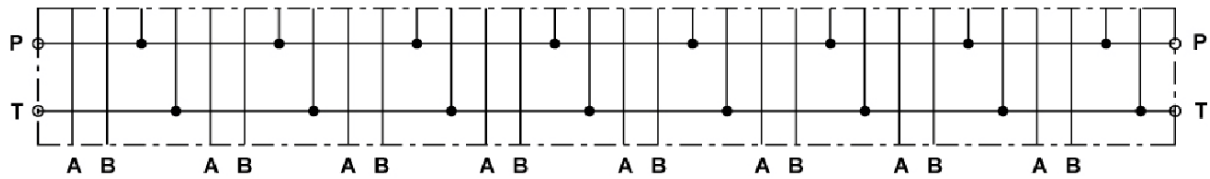


BP-6-4-S

Operation

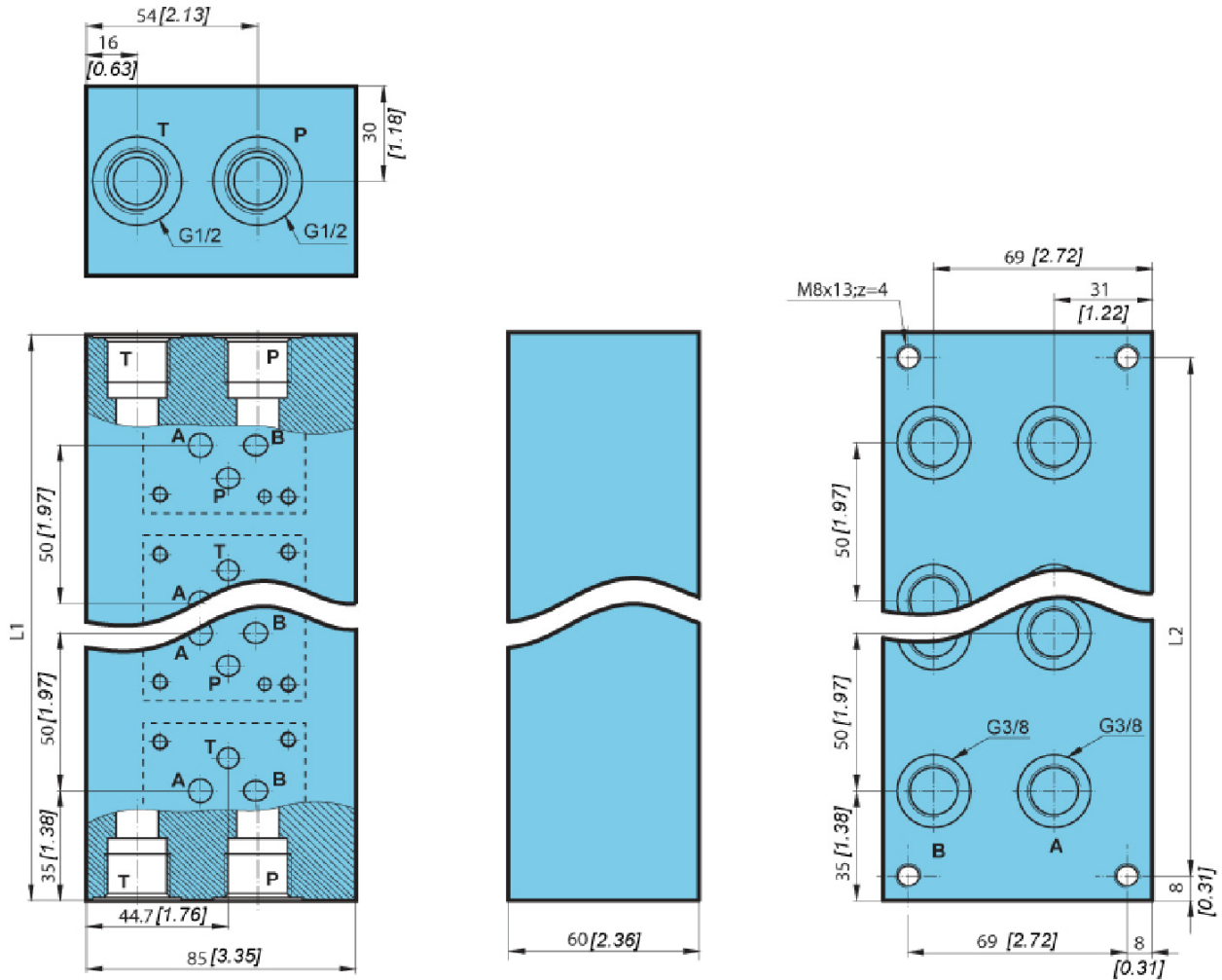
Manifold blocks serve for transmission of hydraulic fluid from source to valves. On the block can be two or up to seven valves (NS 10) or up to eight valves (NS 6) mounted in parallel connection. Manifold blocks are used for easily realizing of hydraulic circuits without piping between valves and minimal overall dimensions.

Hydraulic symbol



Dimensions

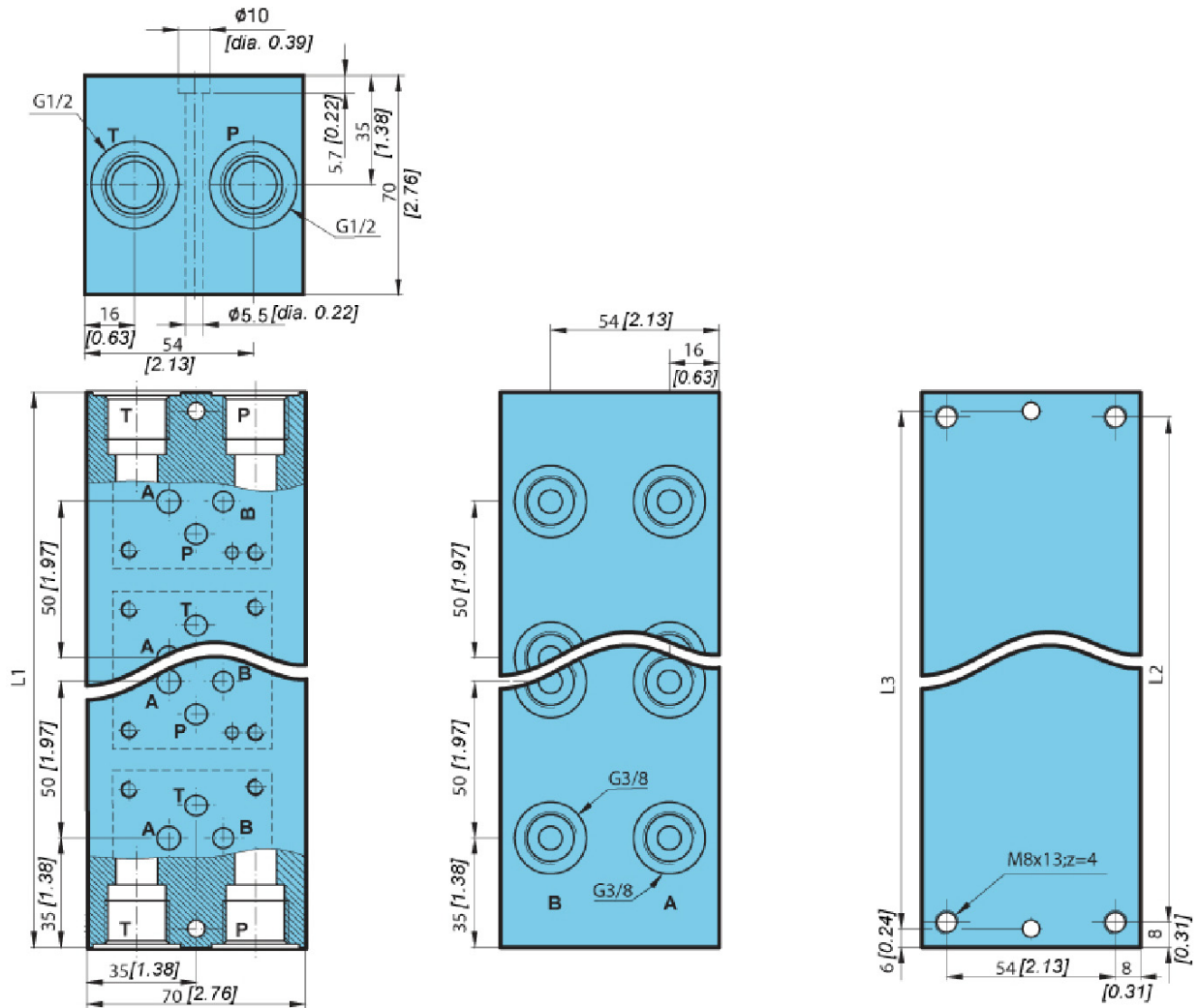
BP-6...-



Type	Nominal size	Stations	L		Ports size		Mass kg [lb]
			L1 mm [Zoll]	L2 mm [Zoll]	P-T	A-B	
BP-6-1	6	1	70 [2.75]	54 [2.12]	G1/2	G3/8	2,3 [5.07]
BP-6-2		2	120 [4.72]	104 [4.09]			3,9 [8.60]
BP-6-3		3	170 [6.69]	154 [6.06]			5,5 [12.12]
BP-6-4		4	220 [8.66]	204 [8.03]			7,2 [15.87]
BP-6-5		5	270 [10.63]	254 [10.00]			8,8 [19.40]
BP-6-6		6	320 [12.60]	304 [11.97]			10,5 [23.15]
BP-6-7		7	370 [14.56]	354 [13.93]			12,1 [26.67]
BP-6-8		8	420 [16.53]	404 [15.90]			13,7 [30.20]

Dimensions

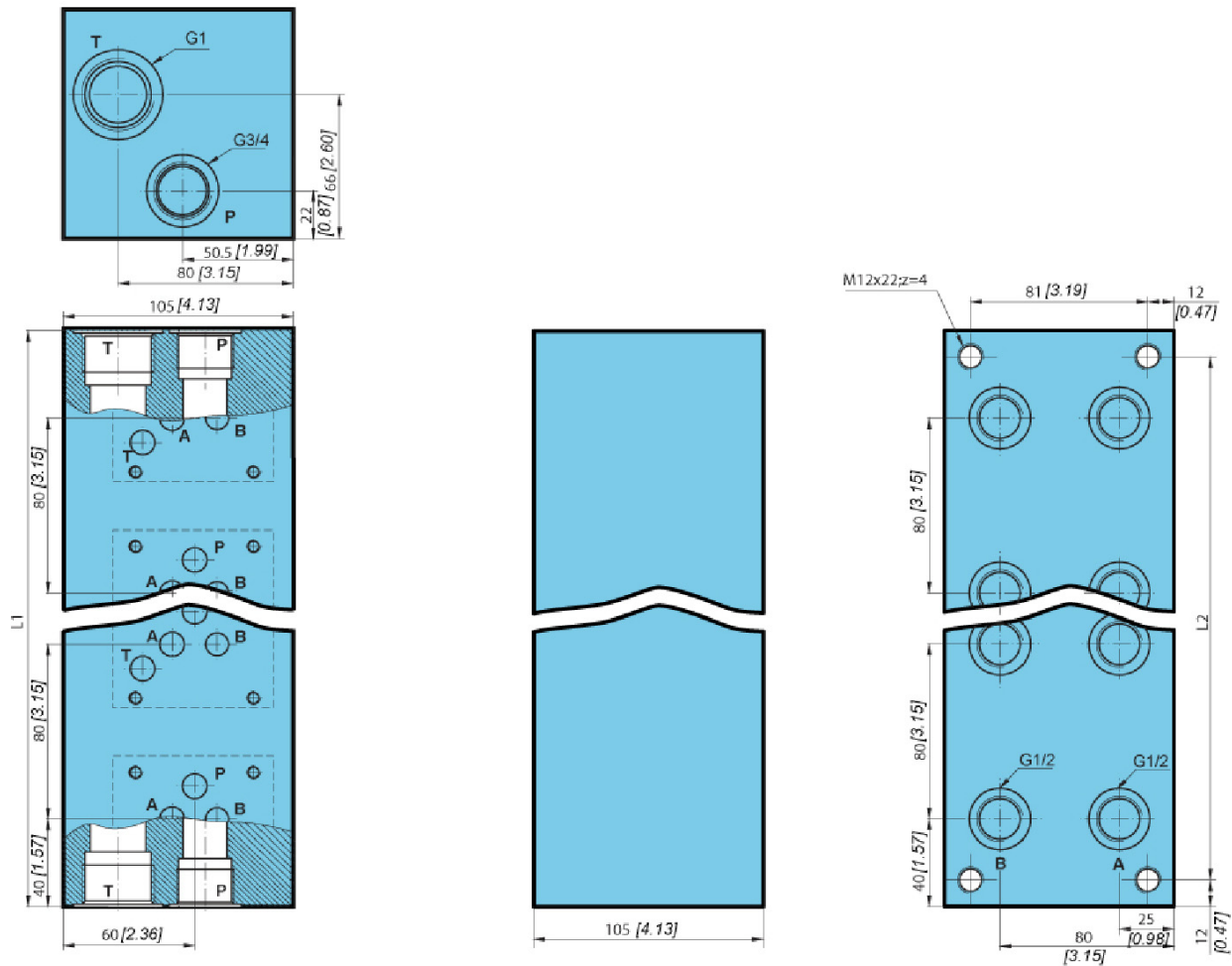
BP-6-...-S



Type	Nominal size	Stations	L1 mm [Zoll]	L2 mm [Zoll]	L3 mm [Zoll]	Ports size		Mass kg [lb]
						P-T	A-B	
BP-6-1-S	6	1	70 [2.75]	54 [2.12]	58 [2.28]	G1/2	G3/8	2,3 [5.07]
BP-6-2-S		2	120 [4.72]	104 [4.09]	108 [4.25]			3,9 [8.60]
BP-6-3-S		3	170 [6.69]	154 [6.06]	158 [6.22]			5,5 [12.12]
BP-6-4-S		4	220 [8.66]	204 [8.03]	208 [8.19]			7,2 [15.87]
BP-6-5-S		5	270 [10.63]	254 [10.00]	258 [10.15]			8,8 [19.40]
BP-6-6-S		6	320 [12.60]	304 [11.97]	308 [12.12]			10,5 [23.15]
BP-6-7-S		7	370 [14.56]	354 [13.93]	358 [14.09]			12,1 [26.67]
BP-6-8-S		8	420 [16.53]	404 [15.90]	408 [16.06]			13,7 [30.20]

Dimensions

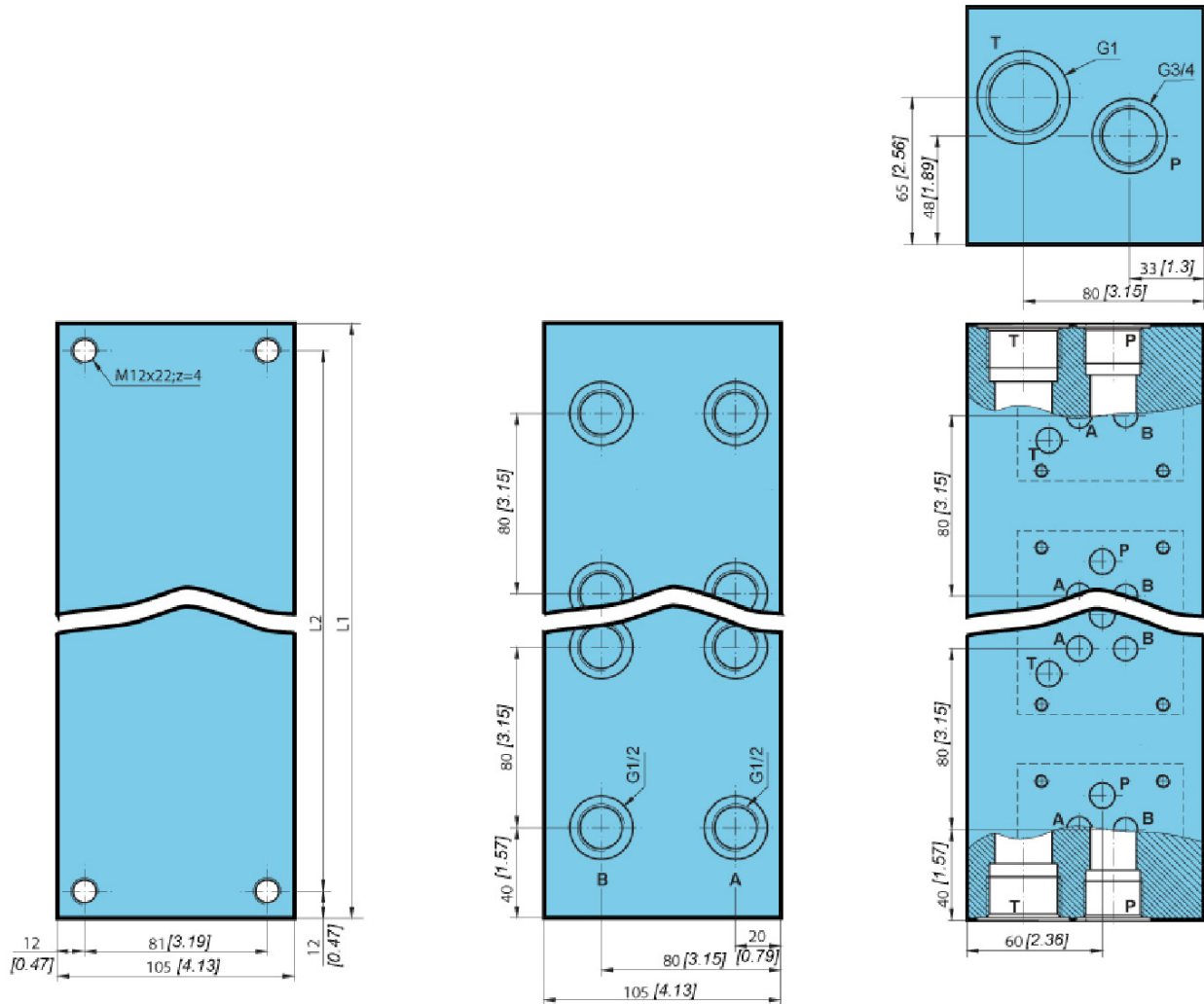
BP-10-...-...



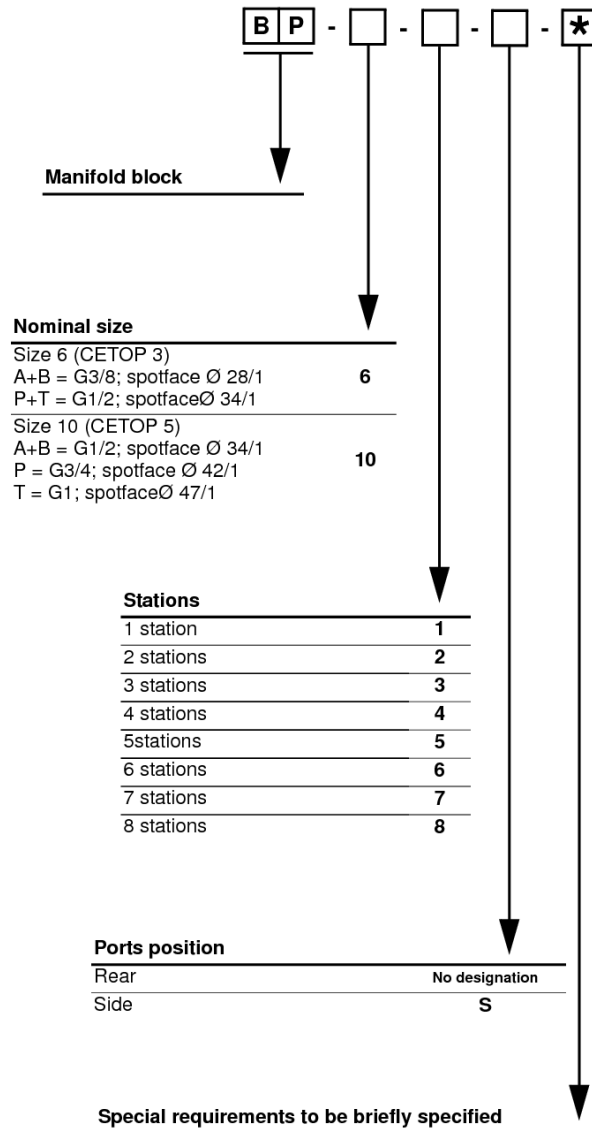
Type	Nominal size	Stations	L		Ports size			Mass kg [lb]
			L1 mm [Zoll]	L2 mm [Zoll]	P	A-B	T	
BP-10-1	10	1	80 [3.15]	56 [2.20]	G3/4	G1/2	G1	5,9 [13.00]
BP-10-2		2	160 [6.30]	136 [5.35]				11,8 [26.01]
BP-10-3		3	240 [9.45]	216 [8.50]				17,7 [39.02]
BP-10-4		4	320 [12.60]	296 [11.65]				23,5 [51.80]
BP-10-5		5	400 [15.74]	376 [14.80]				29,4 [64.81]
BP-10-6		6	480 [18.90]	456 [17.95]				35,3 [77.82]
BP-10-7		7	560 [22.04]	536 [21.10]				41,2 [90.83]

Dimensions

BP-10-...-S



Type	Nominal size	Stations	L		Ports size			Mass kg [lb]
			L1 mm [Zoll]	L2 mm [Zoll]	P	A-B	T	
BP-10-1-S	10	1	80 [3.15]	56 [2.20]	G3/4	G1/2	G1	5,9 [13.00]
BP-10-2-S		2	160 [6.30]	136 [5.35]				11,8 [26.01]
BP-10-3-S		3	240 [9.45]	216 [8.50]				17,7 [39.02]
BP-10-4-S		4	320 [12.60]	296 [11.65]				23,5 [51.80]
BP-10-5-S		5	400 [15.74]	376 [14.80]				29,4 [64.81]
BP-10-6-S		6	480 [18.90]	456 [17.95]				35,3 [77.82]
BP-10-7-S		7	560 [22.04]	536 [21.10]				41,2 [90.83]

Model code


Max. pressure depends on type of used seals.